

## Art. "F" - BRASS BALL VALVE

**DESCRIPTION**

Ball valve with rotary pneumatic actuator.

Valve body: brass OT 58 nickel plated.

Ball: brass OT 58 heavy duty chromium plated.

Ball gasket: Virgin PTFE.

**TECHNICAL FEATURES****Allowable temperatures:**

For liquid: from - 20°C up to + 130°C (with peaks of 150°C).

For gas: from - 20°C up to + 60°C.

**Maximum temperatures for special uses ( valve all open)**

+100°C - fuel oils, mineral oils, margarine;

+ 90°C - seawater, drinking water (municipal water system);

+ 60°C - trichloroethylene, butane, methane, propane, carbon dioxide;

+ 40°C - inflammable alcohol, gasoline, illuminating gas, natural gas, limewater, soda water.

**PRESSURE/TEMPERATURE LIMITS' DIAGRAM**

For any pressure level there is the corresponding allowable temperature level.

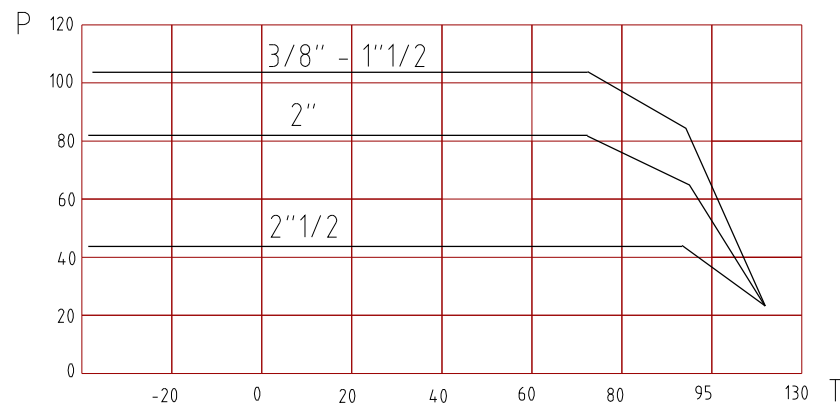


Diagram made with the following analysis:

Inside seats and seal: hydraulic-test of recirculation water-glycol at 50%, water hammer 1.1 PN e n° of cycles following UNI EN3828 - EN331.

Outside body and seal: hydraulic-test static 1.5 PN.

**Limits of pressure:** for liquids from 100 bar up to 40 bar.  
for gas PN 5.

**ACTUATOR PILOT PRESSURE**

Double acting versions: from 3 to 8 bar.

Single acting versions: from 6 to 8 bar.

Connections with inner GAS ISO 228 thread female-female.

On request with inner NPT connections.

Control air 1/8" GAS connections.

**VERSIONS AND SIZES**

DA: 3/8" - 1/2" - 3/4" - 1" - 1 1/4" - 1 1/2" - 2" - 2 1/2"

SANC: 3/8" - 1/2" - 3/4" - 1" - 1 1/4" - 1 1/2" - 2"

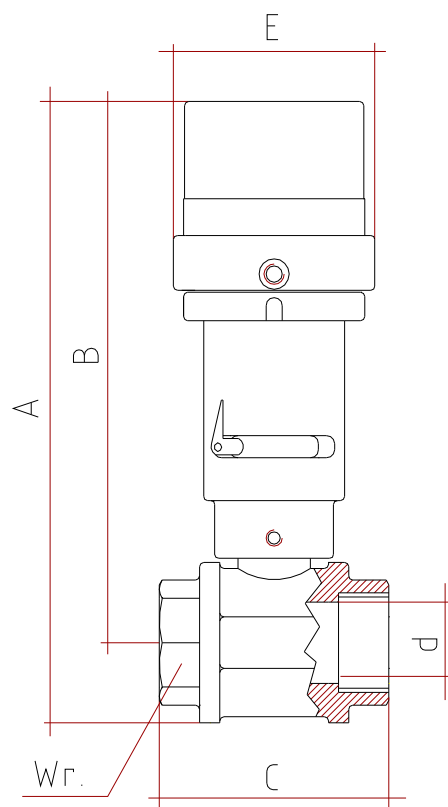
SANO: 3/8" - 1/2" - 3/4" - 1" - 1 1/4" - 1 1/2" - 2"

**ANODIZING TREATMENT ON OUTSIDE DETAILS**

MADE IN ALUMINIUM.

**Art. "F" -**

**OVERALL DIMENSIONS**



**DOUBLE ACTING**

DN	G	ACTUATOR	A	B	C	d	E	Wrench	Kv	Weight
mm.		type	mm.	mm.	mm.	mm.	mm.	mm.	m <sup>3</sup> /h	gr.
10	3/8"	DE5002	207	193	54	10	65	22	11	1080
15	1/2"	DE5002	213	195	69	15	65	27	20	1220
20	3/4"	DE6302	241	218	77	20	77	33	60	1640
25	1"	DE6302	250	223	89	25	77	40	100	1900
32	1"1/4	DE8003	294	261	103	32	100	50	130	3420
40	1"1/2	DE8003	307	267	114	40	100	55	170	4120
50	2"	DE8003	327	279	134	50	100	70	280	5480
65	2"1/2	DE1004	358	298	147	65	120	86	510	8400

**SINGLE ACTING (NC - NO)**

DN	G	ACTUATOR	A	B	C	d	E	Wrench	Kv	Weight
mm.		type	mm.	mm.	mm.	mm.	mm.	mm.	m <sup>3</sup> /h	gr.
10	3/8"	SE5002	207	193	54	10	65	22	11	1160
15	1/2"	SE5002	213	195	69	15	65	27	20	1280
20	3/4"	SE6302	241	218	77	20	77	33	60	1800
25	1"	SE6302	250	223	89	25	77	40	100	2040
32	1"1/4	SE8003	294	261	103	32	100	50	130	3620
40	1"1/2	SE8003	307	267	114	40	100	55	170	4340
50	2"	SE1004	359	310	134	50	120	70	280	7320

Art. "F" - BRASS BALL VALVE - LIGHT MODEL



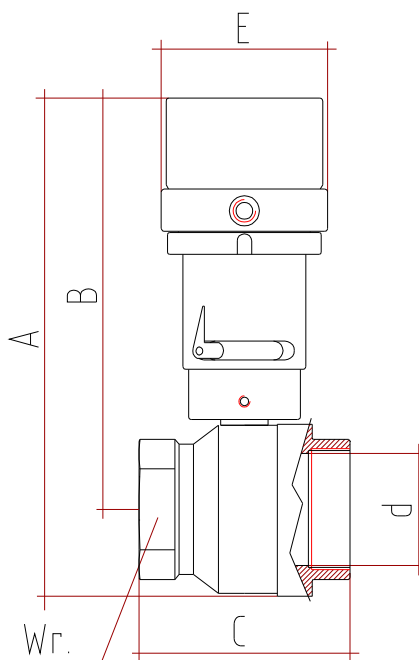
**DESCRIPTION**  
 Ball valve with rotary actuator.  
 Valve body: brass.  
 Ball: brass heavy duty chromium plated.  
 Ball gasket: Virgin PTFE.

**ALLOWABLE TEMPERATURES**  
 Operating temperature: from -15°C to +100°C.  
 Max operating temperature for special uses (valve all open):  
 +100°C - fuel oils, mineral oils, margarine;  
 + 90°C - seawater, drinking water (municipal water system);  
 + 60°C - trichloroethylene, butane, methane, propane, carbon dioxide;  
 + 40°C - inflammable alcohol, gasoline, illuminating gas, natural gas, limewater, soda water.

**ACTUATOR PILOT PRESSURE**  
 From 3 to 8 bar.  
 Connections with inner GAS ISO 228 thread female-female.  
 On request with inner NPT connections.  
 Control air 1/8" GAS connections.

**VERSIONS AND SIZES**  
 DA: 3" - 4"

**ANODIZING TREATMENT ON OUTSIDE DETAILS**  
**MADE IN ALUMINIUM**



**OVERALL DIMENSIONS**

DOUBLE ACTING

DN	G	ACTUATOR	A	B	C	d	E	Wrench	Kv	Weight
mm.		type	mm.	mm.	mm.	mm.	mm.	mm.	m <sup>3</sup> /h	gr.
80	3"	DE1004	355	293	151	75	120	94	770	6900
100	4"	DE1155	433	358	180	90	134	120	1200	11400