

# Speed Controller Adjustable by Flat Head Screwdriver: Standard Type Elbow Type (Metal Body)

# AS□2□0-D Series

RoHS

## Model/Specifications



Specifications	Model	AS12□0-M5	AS12□0-U10/32	AS22□0-□01	AS22□0-□02	AS32□0-□02	AS32□0-□03	AS42□0-□04
Port size		M5 x 0.8	10-32 UNF	1/8	1/4	1/4, 3/8 <small>Note 4)</small>	3/8	1/2
Fluid		Air						
Proof pressure		1.5 MPa						
Max. operating pressure		1 MPa						
Min. operating pressure		0.1 MPa						
Ambient and fluid temperature		-5 to 60 °C (No freezing)						
Controlled flow	Flow rate (l/min (ANR))	105	230	460	920	1700		
	Free flow							
Critical pressure ratio	Controlled flow	0.2	0.25	0.3	0.25	0.25		
	Free flow	0.4	0.2	0.3	0.2	0.2		

Note 1) Flow rate values are measured at 0.5 MPa and 20 °C.

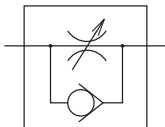
Note 2) Meter-out and meter-in types can be visually differentiated by the flow direction symbol on the resin body.

Note 3) Brass parts are all electroless nickel plated, provided as standard.

Note 4) Female thread port size (valve side) is 3/8 for AS32□0-□02.

## How to Order

Symbol



AS 2 2 0 0 - 01 - S D

Body size

1	M5 standard
2	1/8, 1/4 standard
3	3/8 standard
4	1/2 standard

Elbow

Control

0	Meter-out
1	Meter-in

Type adjustable by flat head screwdriver

With seal

Note) In case that connecting port is either M5 or 10-32 UNF thread, it is not available with seal. With gasket is provided as standard.

Port size

Symbol	Cylinder side	In the side of solenoid valve
M5	M5 x 0.8	M5 x 0.8
01	R1/8	Rc1/8
02	R1/4	Rc1/4 <small>Note 1)</small>
		Rc3/8 <small>Note 2)</small>
03	R3/8	Rc3/8
04	R1/2	Rc1/2
F01	R1/8	G1/8
F02	R1/4	G1/4 <small>Note 1)</small>
		G3/8 <small>Note 2)</small>
F03	R3/8	G3/8
F04	R1/2	G1/2
U10/32	10-32 UNF	10-32 UNF
N01	NPT1/8	NPT1/8
N02	NPT1/4	NPT1/4 <small>Note 1)</small>
		NPT3/8 <small>Note 2)</small>
N03	NPT3/8	NPT3/8
N04	NPT1/2	NPT1/2

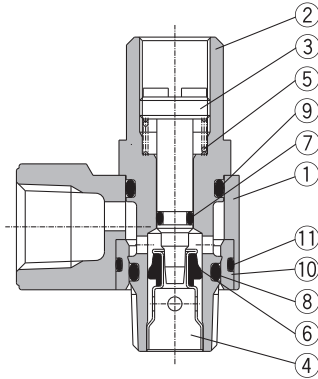
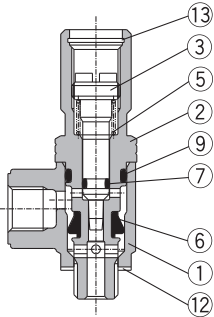
Note 1) AS22□0-□02

Note 2) AS32□0-□02

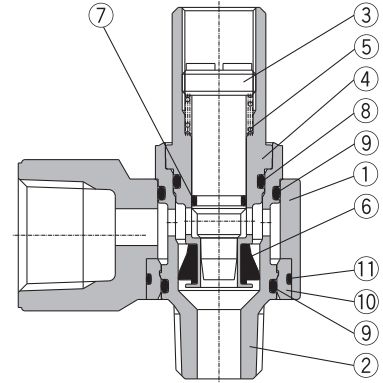
# AS□2□0-D Series

## Construction

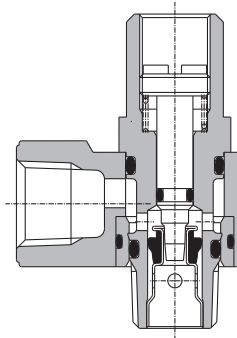
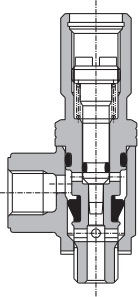
Meter-out  
M5 type  
U10/32 type



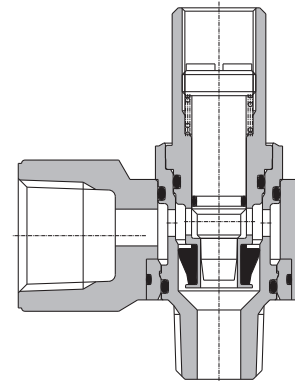
AS3200-02-D



Meter-in  
M5 type  
U10/32 type



AS3210-02-D



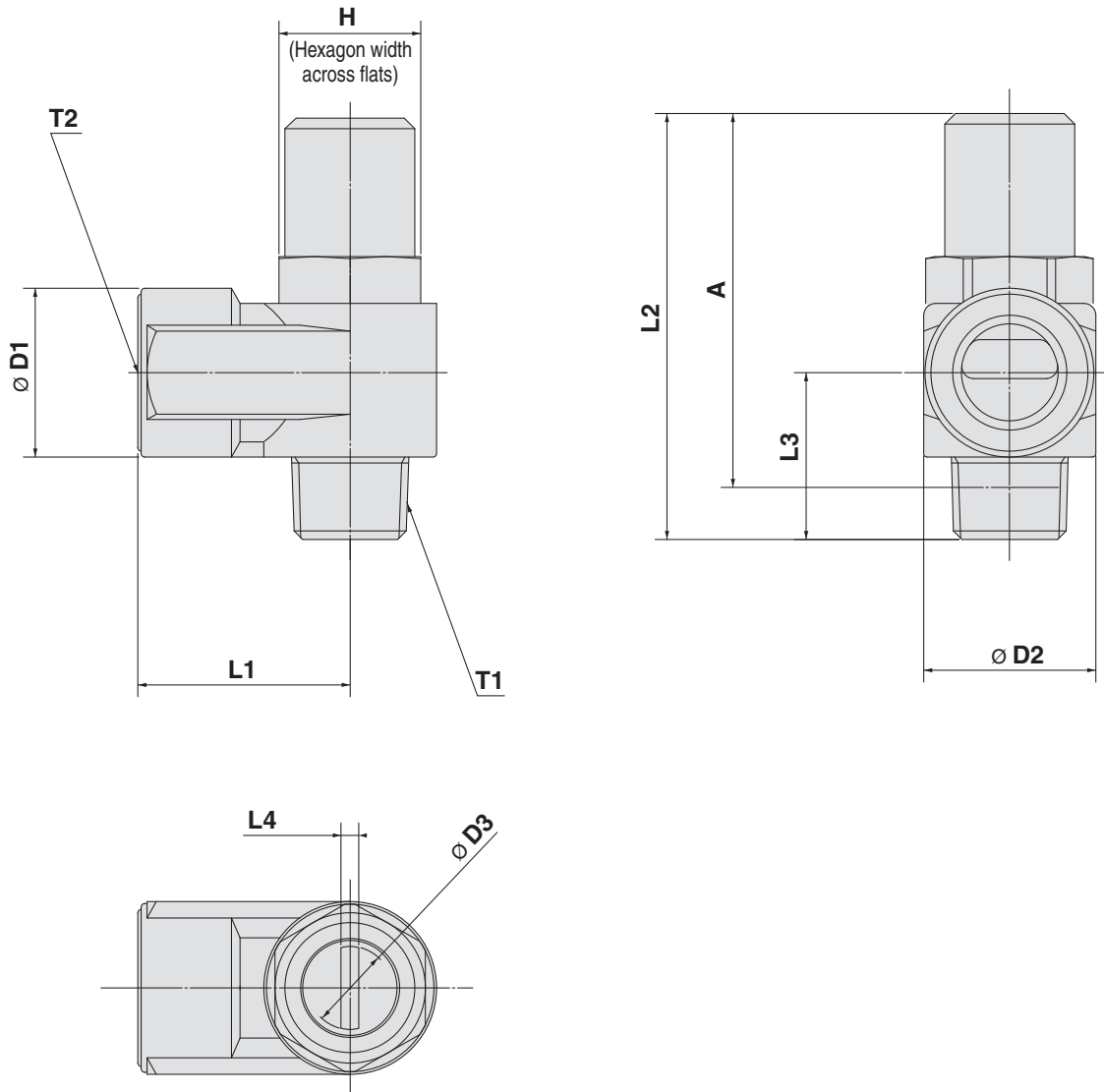
### Component Parts

No.	Description	Material	Note
1	Body A	Zinc alloy	Chromate plated
2	Body B	Brass	Electroless nickel plated
3	Needle	Brass	Electroless nickel plated
4	Seat ring	Brass	Electroless nickel plated
5	Spring	Steel wire <sup>(1)</sup>	
6	U seal	HNBR	
7	O-ring	NBR	
8	O-ring	NBR	
9	O-ring	NBR	
10	Bushing	PBT	
11	O-ring	NBR	
12	Gasket	NBR, Stainless steel	
13	Retaining ring for hole type C	Tool steel	

Note 1) M5 and U10/32 type: Stainless steel

Speed Controller Adjustable by Flat Head Screwdriver:  
Standard Type, Elbow Type (Metal Body) **AS□2□0-D Series**

**Dimensions**



**Dimensions**

Model	T1	T2	H	D1	D2	D3	L1	L2	L3	L4	A *	Weight (g)
AS12□0-M5-D	M5 x 0.8	M5 x 0.8	8	9	9	4.7	10	31	10.3	0.7	27.4	13
AS12□0-U10/32-D	10-32 UNF	10-32 UNF										
AS22□0-01-SD	R1/8	Rc1/8	12	14.3	14.6	7.2	18	34.7	13.2	1.2	31.6	33
AS22□0-F01-SD		G1/8										
AS22□0-N01-SD	NPT1/8	NPT1/8	12.7									
AS22□0-02-SD	R1/4	Rc1/4	17	18	19.5	7.2	27.2	40.2	17.5	1.2	36.7	72
AS22□0-F02-SD		G1/4										
AS22□0-N02-SD	NPT1/4	NPT1/4	17.5									
AS32□0-02-SD	R1/4	Rc3/8	19	22.5	24.3	9.8	30	54.8	21.9	1.2	49.3	123
AS32□0-F02-SD		G3/8										
AS32□0-N02-SD	NPT1/4	NPT3/8										
AS32□0-03-SD	R3/8	Rc3/8	19	22.5	24.3	9.8	30	52.6	19.7	1.2	47.4	128
AS32□0-F03-SD		G3/8										
AS32□0-N03-SD	NPT3/8	NPT3/8										
AS42□0-04-SD	R1/2	Rc1/2	24	27.5	28.5	12.4	38.5	62.9	25.8	1.2	55.8	222
AS42□0-F04-SD		G1/2										
AS42□0-N04-SD	NPT1/2	NPT1/2	23.8									

\* Reference thread dimensions after installation.