



Precision Regulator

Series *IR1000/2000/3000*



PAT.PEND

The addition of the small size Series IR1000 and the large size Series IR3000 provides an increased range of flow rates from approx. 200 /min. to approx. 6000 /min.

Precision Regulator

Series IR1000/2000/3000

Bracket and pressure gauge can be mounted from 2 directions

Mounting is possible on either the front or the back

Expanded regulating pressure range

The maximum set pressure has been expanded from the conventional 0.7MPa to 0.8MPa

Compact and light weight

IR1000 width 35mm weight 140g

(previously unavailable small size added)

IR2000 width 50mm weight 300g

(▲ width 14%, weight ▲6% Compared to SMC IR200)

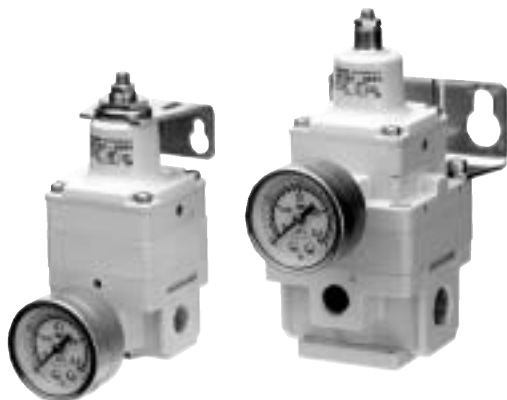
IR3000 width 66mm weight 640g

(▲ width 21%, weight ▲36% Compared to SMC IR400)



2 air operated models

Air operated type added to series IR2000

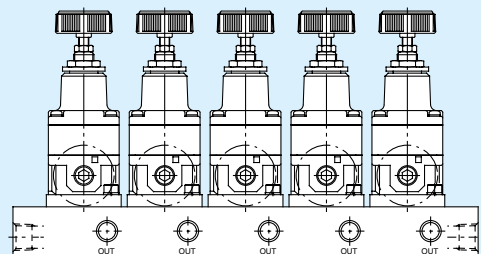


IR2120

IR3120

Manifolding is possible

Order made specifications (except series IR2120, IR3000)



Modular body introduced

Can be combined with AF (air filter) and AFM (mist separator).



Attachments such as a pressure switch can be mounted as accessories

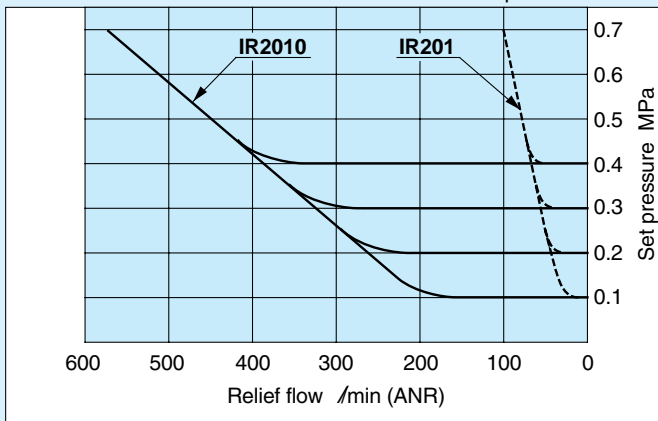
Applicable modular sizes **IR1000**: Modular 2000 type
IR2000: Modular 3000 type
IR3000: Modular 4000 type

(Refer to the F.R.L. Combination Catalog CAT.E5G-C for types of attachments.)

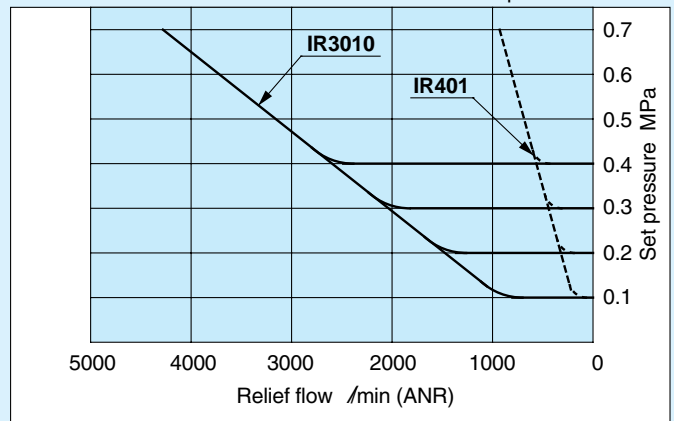
Superior relief flow characteristics

Relief flow has been increased by nearly 5 times (compared to SMC IR201, IR401)

Conditions: Back pressure 0.7MPa



Conditions: Back pressure 0.7MPa



Series Variations

Specifications	Model	Basic type			Air operated type	
		IR10□□	IR20□□	IR30□□	IR2120	IR3120
Maximum set pressure	0.2MPa	●	●	●	—	—
	0.4MPa	●	●	●	—	—
	0.8MPa	●	●	●	●	●
Port size	Rc(PT) 1/8	●	—	—	—	—
	Rc(PT) 1/4	—	●	●	●	●
	Rc(PT) 3/8	—	—	●	—	●
	Rc(PT) 1/2	—	—	●	—	●

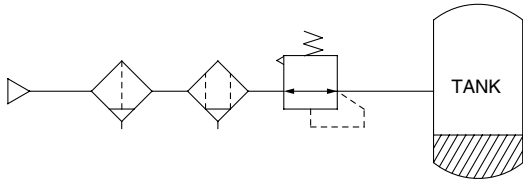
Order Made Specifications

Symbol	Specifications/Content
10-	Clean room specifications
20-	Copper-free specifications
80-	Ozone resistant specifications
-T	For high temperature
-L	For low temperature
-X1	Non-grease specifications
IRM□□	Manifold (except series IR2120, IR3000)

* Refer to page 8 for details.

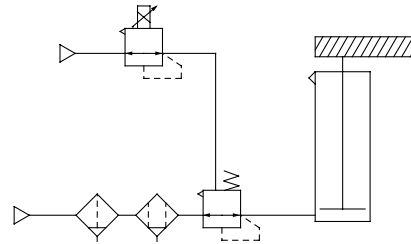
Application Examples

Constant fluid pressure



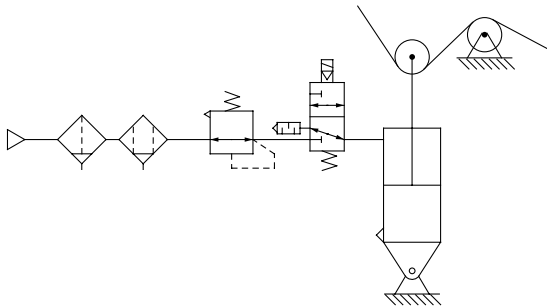
- Since there is a large effective area for supply and exhaust, pressure setting can be done quickly.

Balance and drive Accurate balance pressure setting

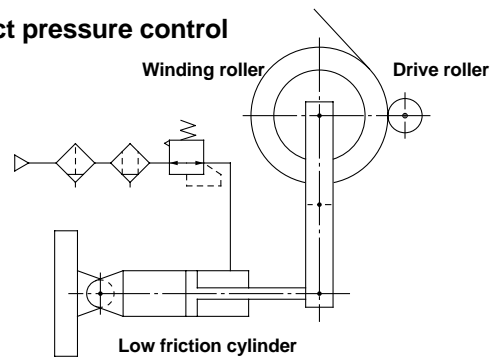


- Limits pressure fluctuation when driving a cylinder, maintaining excellent static and dynamic balance.

Accurate pressure setting – Sensitivity within 0.2%F.S. (full span) Tension controller

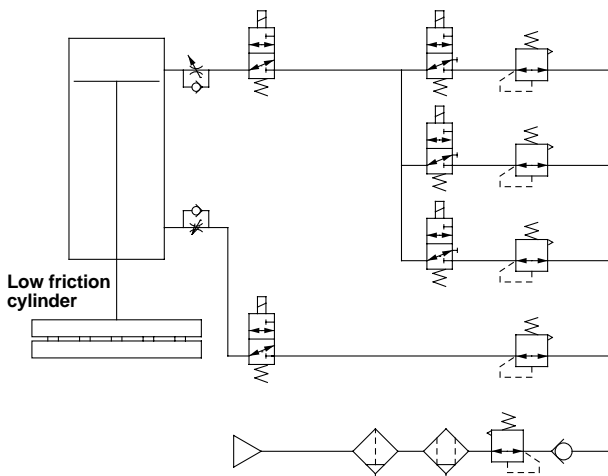


Contact pressure control

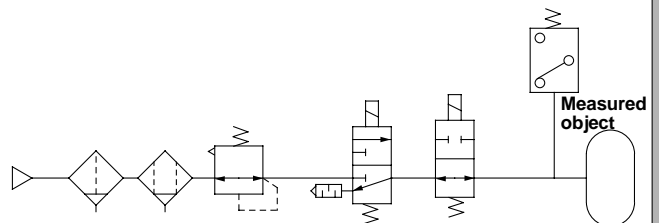


- Adapts to the cylinder's piston displacement, maintaining a constant pressure.

Multistage control of work piece pressing force (Wrapping machine)



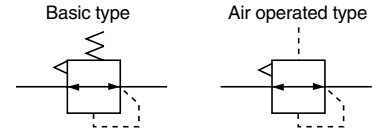
Leak test circuit



Precision Regulator

Series IR1000/2000/3000

JIS symbol



Standard Specifications

Model	Basic type			Air operated type		
	IR10□0	IR20□0	IR30□0	IR2120	IR3120	
Max. supply pressure	Maximum 1.0MPa					
Min. supply pressure	Set pressure + 0.05MPa ^{Note 1)}			Set pressure + 0.1MPa	Set pressure + 0.05MPa	Set pressure + 0.1MPa
Regulating pressure range	IR1000: 0.005 to 0.2MPa	IR2000: 0.005 to 0.2MPa	IR3000: 0.01 to 0.2MPa	0.005 to 0.8MPa	0.01 to 0.8MPa	
	IR1010: 0.005 to 0.4MPa	IR2010: 0.005 to 0.4MPa	IR3010: 0.01 to 0.4MPa			
	IR1020: 0.005 to 0.8MPa	IR2020: 0.005 to 0.8MPa	IR3020: 0.01 to 0.8MPa			
Input signal pressure ^{Note 2)}	—			0.005 to 0.8MPa	0.01 to 0.8MPa	
Sensitivity	Within 0.2% of full span					
Repeatability	Within ± 0.5% of full span					
Linearity ^{Note 3)}	—			Within ± 1% of full span		
Air consumption ^{Note 4)}	5 /min (ANR) or less (supply pressure: 1.0MPa)	4 /min (ANR) or less (supply pressure: 1.0MPa) 3 /min (ANR) or less (supply pressure: 0.7MPa)	Bleed port: 9.5 /min (ANR) or less (supply pressure: 1.0MPa) Exhaust port: 2 /min (ANR) or less (at maximum set pressure)	4 /min (ANR) or less (supply pressure: 1.0MPa) 3 /min (ANR) or less (supply pressure: 0.7MPa)	Bleed port: 9.5 /min (ANR) or less (supply pressure: 1.0MPa) Exhaust port: 2 /min (ANR) or less (at maximum set pressure)	
Port size	Rc(PT) 1/8	Rc(PT) 1/4	Rc(PT) 1/4, 3/8, 1/2	Rc(PT) 1/4	Rc(PT) 1/4, 3/8, 1/2	
Pressure gauge port	Rc(PT) 1/8 (2 locations)					
Ambient and fluid temperature	- 5 to 60°C (with no freezing)					
Weight (kg)	0.14	0.30	0.64	0.35	0.71	

Note 1) With the condition of no flow on the output side. Together with the set pressure, be sure to maintain a minimum differential pressure of 0.05MPa for models IR1000 and IR2000, and 0.1MPa for model IR3000.

Note 2) Applicable only to air operated types IR2120 and IR3120. The basic type is excepted.

Note 3) Indicates the linearity of the output pressure with respect to the input signal pressure.

Note 4) Air is normally being discharged to the atmosphere.

How to Order

IR 2000-□02

- Precision regulator**
- Body size**

1	IR1000
2	IR2000
3	IR3000
- Type of setting**

0	Basic type (handle)
1	Air operated type (series IR2000/3000 only)
- Regulating pressure range**

For series IR1000/2000

0	0.005 to 0.2MPa
1	0.005 to 0.4MPa
2	0.005 to 0.8MPa

Note) The air operated type is model IR2120 only.

For series IR3000

0	0.01 to 0.2MPa
1	0.01 to 0.4MPa
2	0.01 to 0.8MPa

Note) The air operated type is model IR3120 only.
- Port size**

Symbol	Size	Application		
		IR1000	IR2000	IR3000
01	1/8	●		
02	1/4		●	●
03	3/8			●
04	1/2			●
- Thread type**

Nil	Rc(PT)
N *	NPT
F *	G(PF)

* Order made

Accessories (optional)

Bracket and pressure gauge, see next page.

Series IR1000/2000/3000

Specification Combinations

●: Standard specifications ○: Combination possible Blank: Combination not possible



Series IR3000



Series IR2000



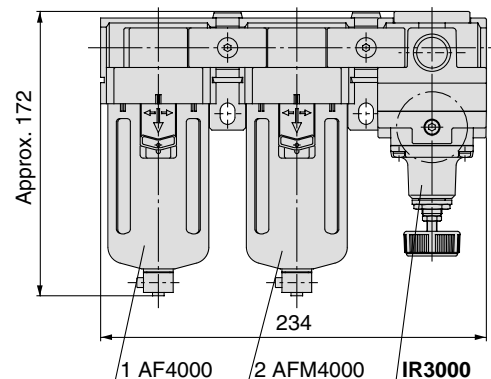
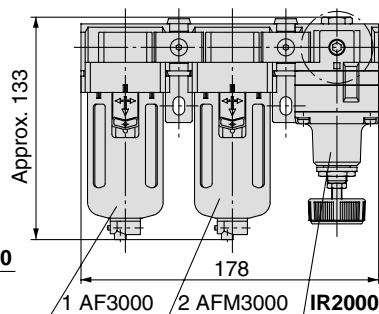
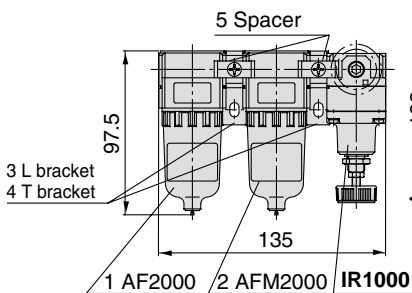
Series IR1000

Specifications	Symbol	Applicable model					
		IR1000 IR1010 IR1020	IR2000 IR2010 IR2020	IR2120	IR3000 IR3010 IR3020	IR3120	
Standard specifications	Set pressure max. 0.2MPa	0	●	●		●	
	Set pressure max. 0.4MPa	1	●	●		●	
	Set pressure max. 0.8MPa	2	●	●	●	●	●
	Connection Rc(PT) 1/8	01	●				
	Connection Rc(PT) 1/4	02		●	●	●	●
	Connection Rc(PT) 3/8	03				●	●
	Connection Rc(PT) 1/2	04				●	●
Accessories	Bracket	B	○	○	○	○	○
	Pressure gauge	G	○	○	○	○	○
Order made specifications	Pressure gauge reverse mounted	R	○	○	○	○	○
	Connection NPT1/8	N01	○				
	Connection NPT1/4	N02		○	○	○	○
	Connection NPT3/8	N03				○	○
	Connection NPT1/2	N04				○	○
	Connection G(PF) 1/8	F01	○				
	Connection G(PF) 1/4	F02		○	○	○	○
	Connection G(PF) 3/8	F03				○	○
Connection G(PF) 1/2	F04				○	○	

Modular Products and Accessory Combinations

Description	Applicable model		
	IR10□0	IR20□0 / IR2120	IR30□0 / IR3120
1 Air filter	AF2000	AF3000	AF4000
2 Mist separator	AFM2000	AFM3000	AFM4000
3 L bracket	B210L	B310L	B410L
4 T bracket	B210T	B310T	B410T
5 Spacer	Y20	Y30	Y40
6 Spacer with L bracket (3 + 5)	Y20L	Y30L	Y40L
7 Spacer with T bracket (4 + 5)	Y20T	Y30T	Y40T

<Combination example>



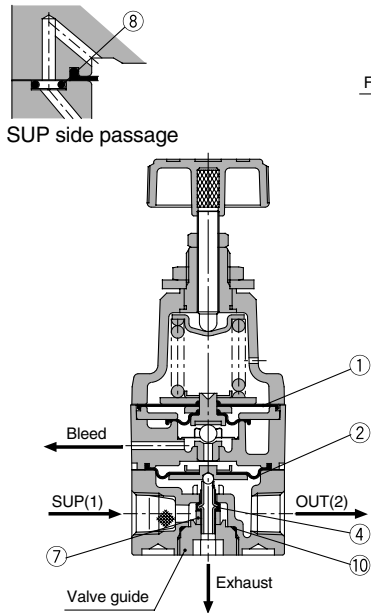
Accessories (Optional)/Part Nos.

Description	Part No.								
	IR1000	IR1010	IR1020	IR2000	IR2010	IR2020 / 2120	IR3000	IR3010	IR3020 / 3120
Bracket	P36201023			P36202028			P36203018		
Pressure gauge*	G33-2-01	G33-4-01	G33-10-01	G43-2-01	G43-4-01	G43-10-01	G43-2-01	G43-4-01	G43-10-01

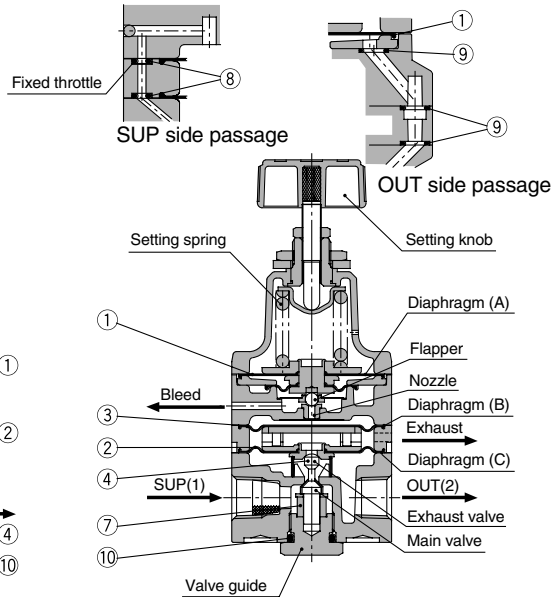
* Accuracy ±3% (full span)

Construction

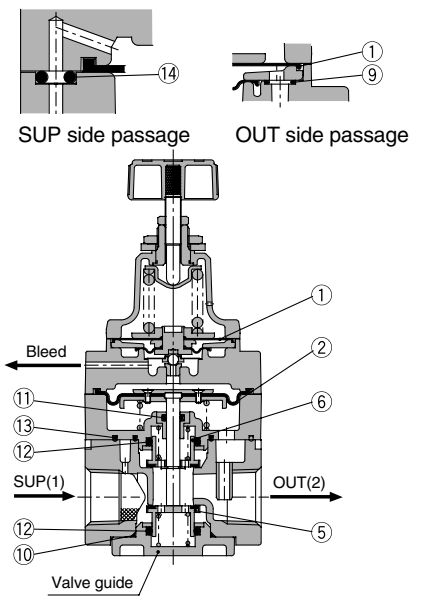
IR1000



IR2000



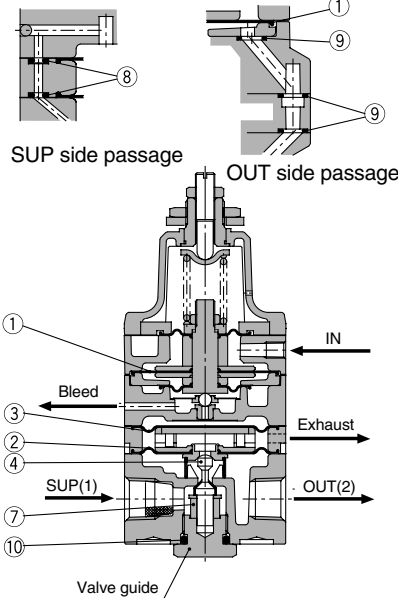
IR3000



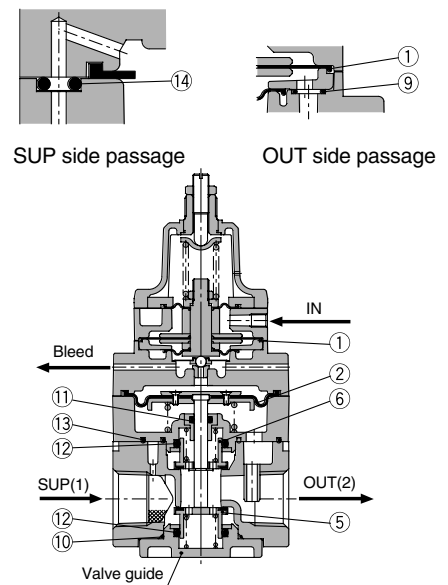
Operating Principle (for IR2000)

When the setting knob is turned, the nozzle is closed by the flapper allowing the supply air that flows in from the upstream side to pass through the fixed throttle and to act on diaphragm B as nozzle back pressure, the main valve is pushed down by the generated force and the supply pressure flows out to the downstream side. The air pressure that flows in acts on diaphragm C and while opposing the force generated by diaphragm B it also acts on diaphragm A opposing the compression force of the setting spring and becomes the set pressure. If the set pressure rises too high, diaphragm A is pushed up, the interval between the flapper and the nozzle widens, the nozzle back pressure drops, the balance of diaphragms B and C is broken, the main valve closes, the exhaust valve opens and the excess pressure from the downstream side is discharged to the atmosphere. In this way fine pressure variations are detected by the nozzle/flapper type pilot mechanism, and precise pressure adjustment is performed.

IR2120



IR3120



Replacement parts

No.	Description	Material	Part No.				
			IR10□0	IR20□0	IR30□0	IR2120	IR3120
1	Diaphragm assembly	NBR, other	P362010-1	P362020-2	P362020-2	P362020-13	P362020-13
2	Diaphragm assembly	NBR, other	P362010-2	P362020-5	P362030-1	P362020-5	P362030-1
3	Diaphragm	NBR, other	—	P36202019	—	P36202019	—
4	Valve	Stainless steel, NBR	P36201020 (-1) ^{Note 1)}	P36202025	—	P36202025	—
5	Valve	Brass, NBR	—	—	P36203009	—	P36202009
6	Valve	Brass, NBR	—	—	P36203010	—	P36203010
7	Damper	NBR	P36201021	P36202026	—	P36202026	—
8	O-ring	NBR	ø2.5 x 1	ø2 x 1.25	—	ø2 x 1.25	—
9	O-ring	NBR	—	ø4.5 x 1	ø4.5 x 1	ø4.5 x 1	ø4.5 x 1
10	O-ring	NBR	ø10 x 1.3	JISB2401 P11	ø27.8 x 1.5	JISB2401 P11	ø27.8 x 1.5
11	O-ring	NBR	—	—	JISB2401 P5 ^{Note 2)}	—	JISB2401 P5 ^{Note 2)}
12	O-ring	NBR	—	—	JISB2401 P16 ^{Note 2)}	—	JISB2401 P16 ^{Note 2)}
13	Seal (A)	NBR	—	—	P36203015	—	P36203015
14	Seal (B)	NBR	—	—	P36203016	—	P36203016
Service parts kit no. (set of above items 1 through 14)			KT-IR1000 ^{Note 3)} KT-IR1010	KT-IR2000	KT-IR3000	KT-IR2120	KT-IR3120

Note 1) IR1000 uses P36201020-1 and IR1010/1020 use P36201020.

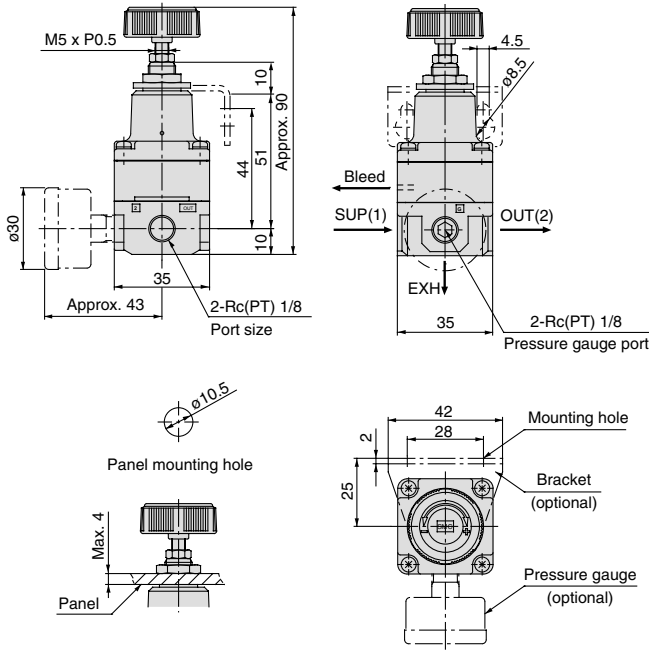
Note 2) Use mini-flick type.

Note 3) IR1000 uses KT-IR1000 and IR1010/1020 use KT-IR1010.

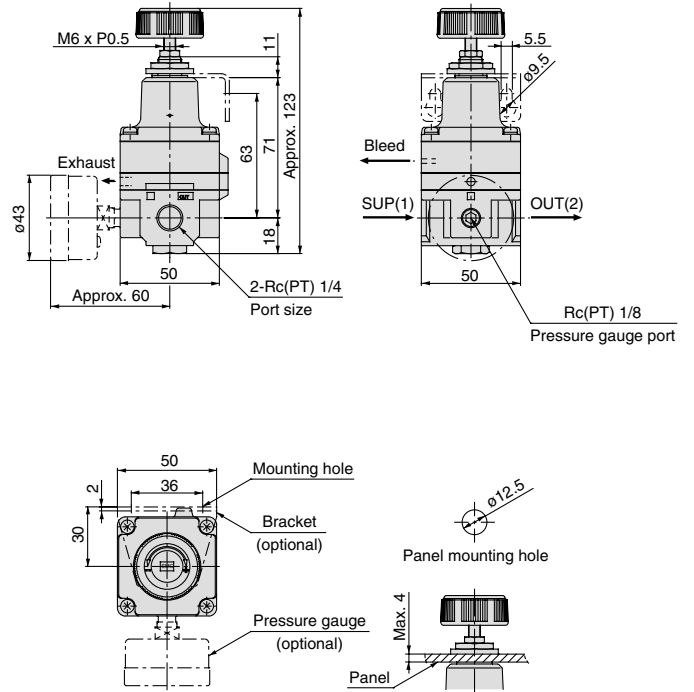
Series IR1000/2000/3000

Dimensions

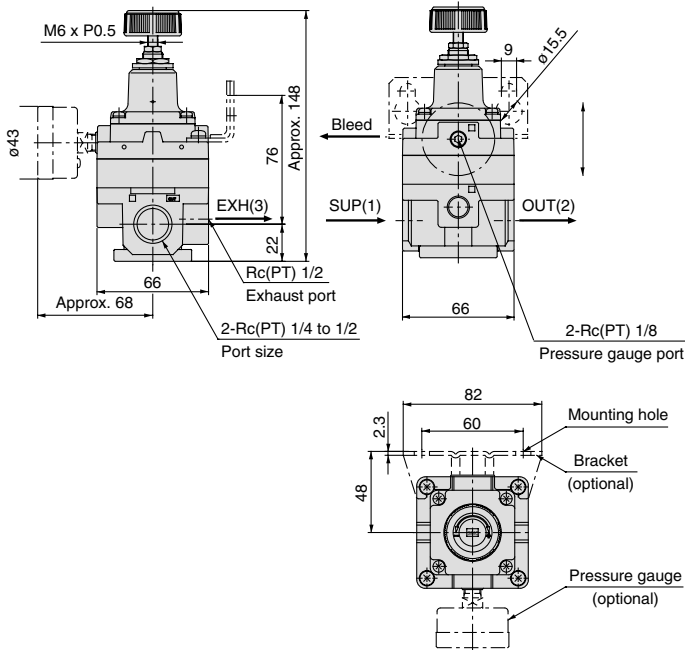
IR10□0-01□



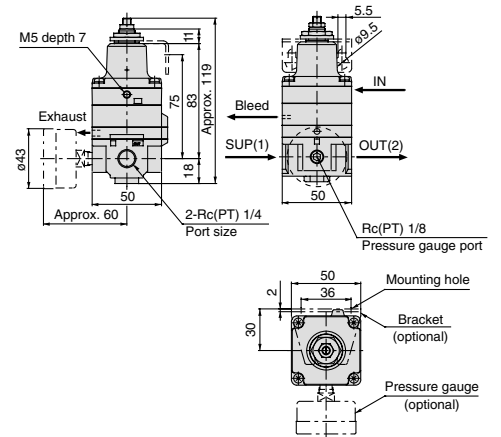
IR20□0-02□



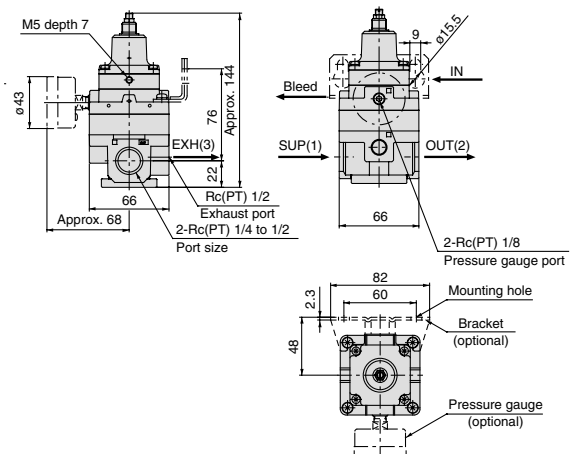
IR30□0-0□□



IR2120-02□



IR3120-0□□

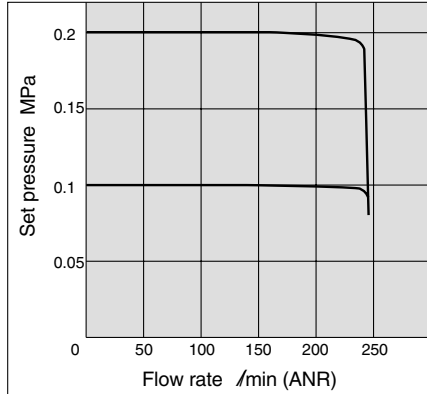


Series IR1000

Flow rate characteristics

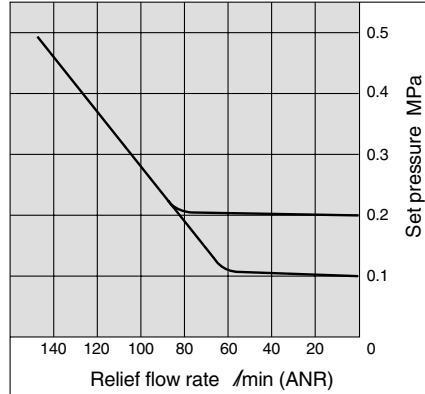
* Testing methods conform to JIS B8372.

IR1000-01 Conditions: Supply pressure 0.5MPa



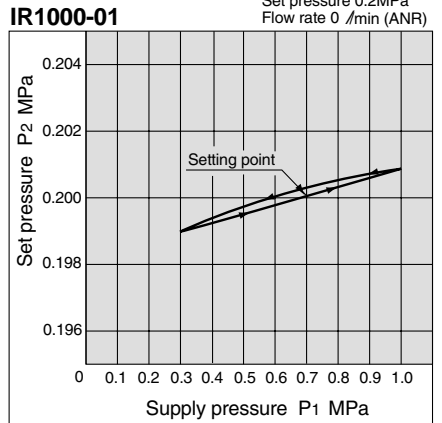
Relief characteristics

IR1000-01 Conditions: Back pressure 0.5MPa

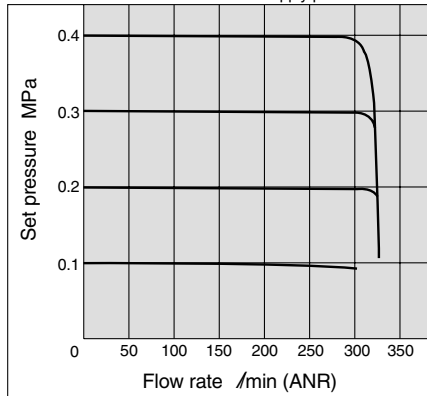


Pressure characteristics

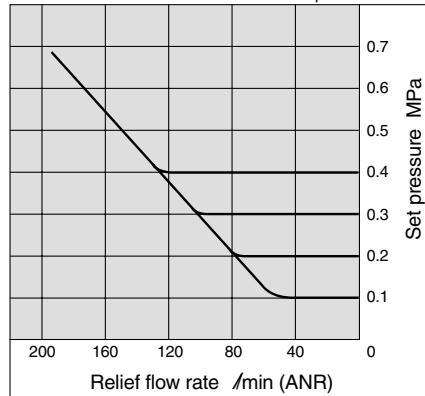
Conditions: Supply pressure 0.7MPa
Set pressure 0.2MPa
Flow rate 0 l/min (ANR)



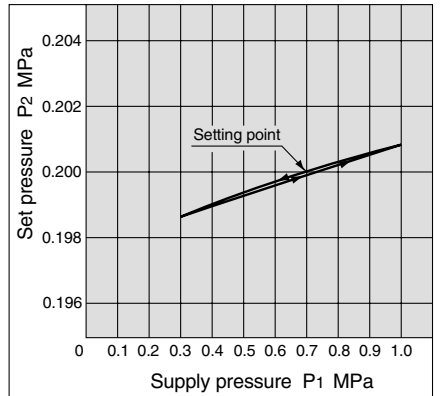
IR1010-01 Conditions: Supply pressure 0.7MPa



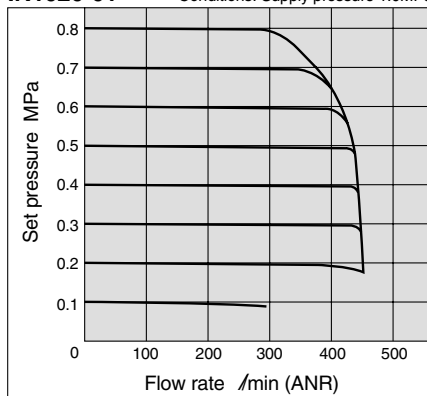
IR1010-01 Conditions: Back pressure 0.7MPa



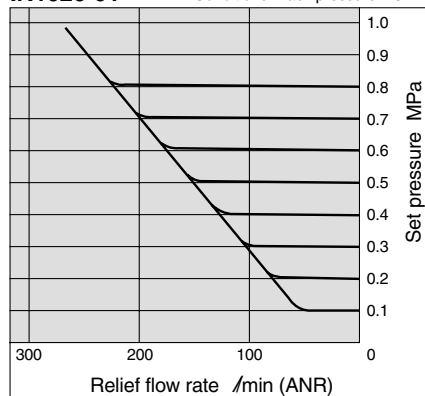
IR1010-01



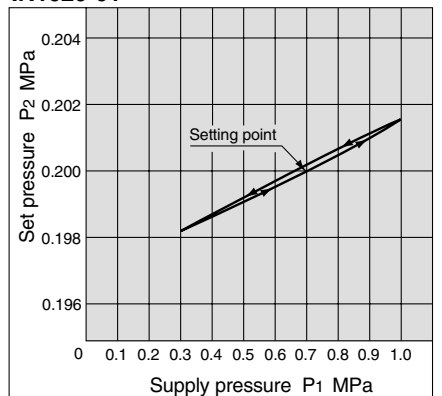
IR1020-01 Conditions: Supply pressure 1.0MPa



IR1020-01 Conditions: Back pressure 1.0MPa



IR1020-01



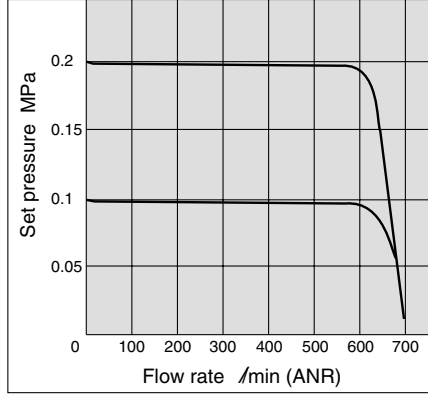
Series IR1000/2000/3000

Series IR2000

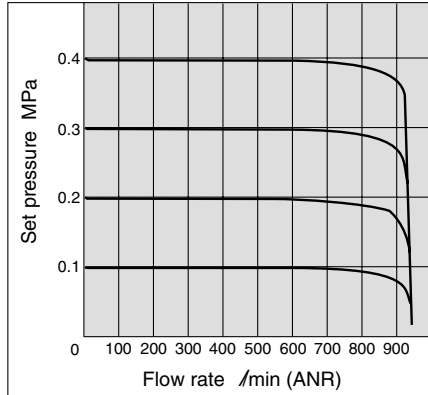
Flow rate characteristics

* Testing methods conform to JIS B8372.

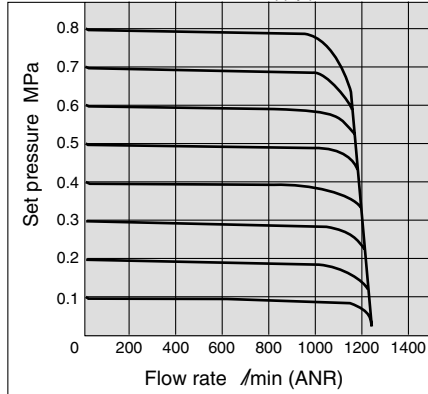
IR2000-02 Conditions: Supply pressure 0.5MPa



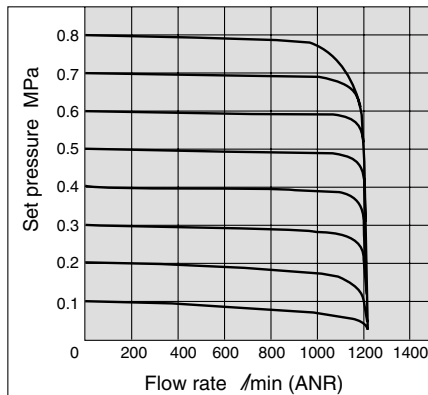
IR2010-02 Conditions: Supply pressure 0.7MPa



IR2020-02 Conditions: Supply pressure 1.0MPa

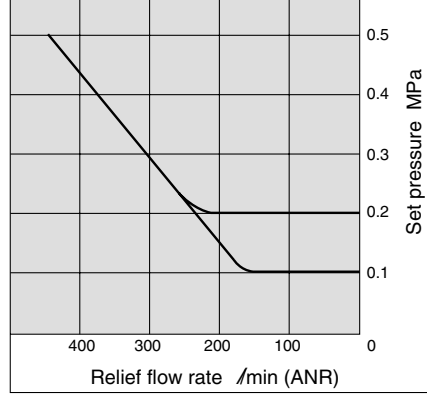


IR2120-02 Conditions: Supply pressure 1.0MPa

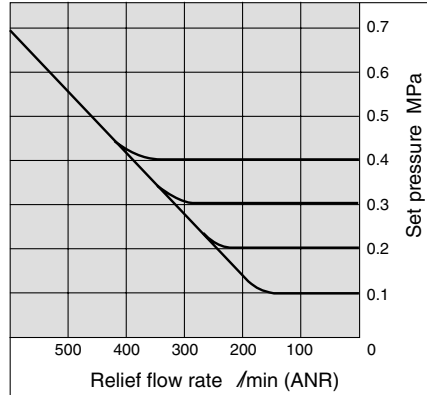


Relief characteristics

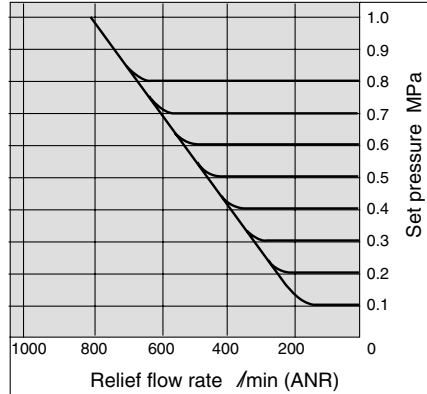
IR2000-02 Conditions: Back pressure 0.5MPa



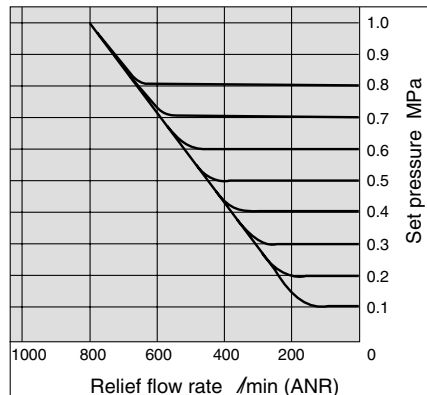
IR2010-02 Conditions: Back pressure 0.7MPa



IR2020-02 Conditions: Back pressure 1.0MPa

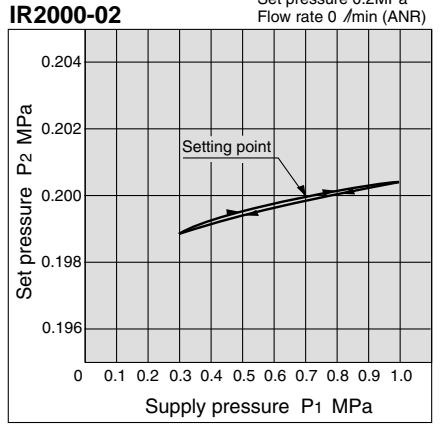


IR2120-02 Conditions: Back pressure 1.0MPa

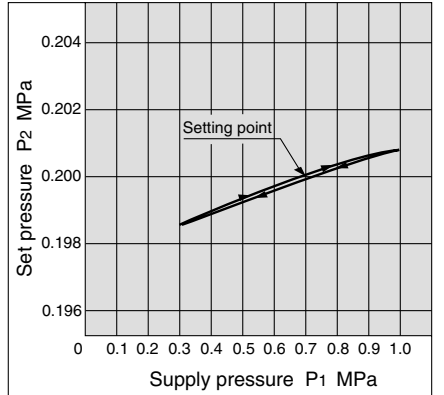


Pressure characteristics

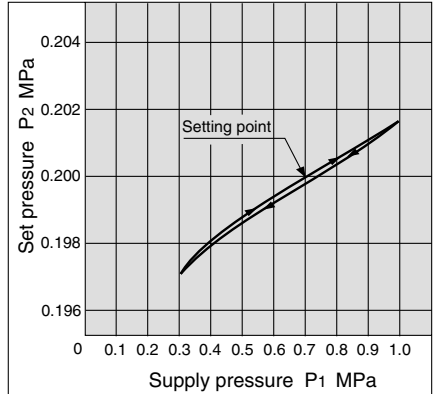
Conditions: Supply pressure 0.7MPa
Set pressure 0.2MPa
Flow rate 0 l/min (ANR)



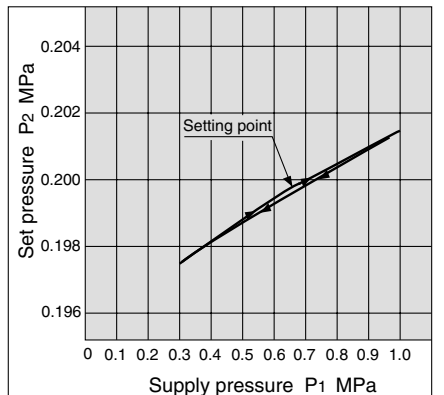
IR2010-02



IR2020-02



IR2120-02

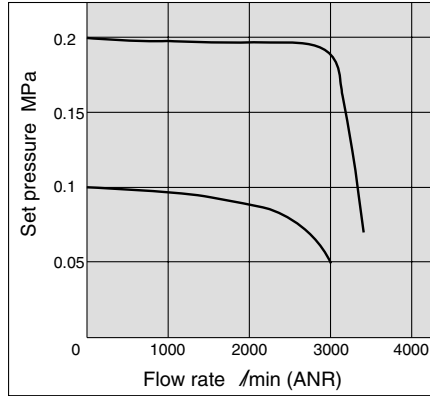


Series IR3000

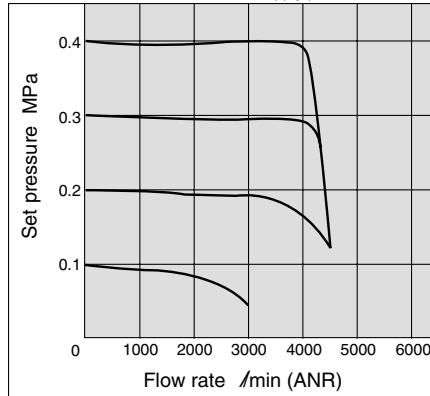
Flow rate characteristics

* Testing methods conform to JIS B8372.

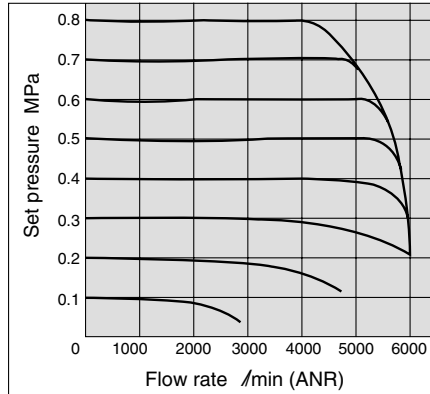
IR3000-03 Conditions: Supply pressure 0.5MPa



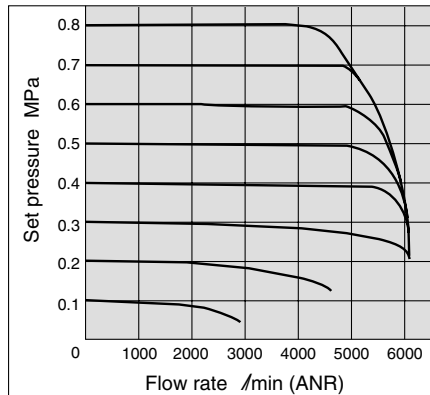
IR3010-03 Conditions: Supply pressure 0.7MPa



IR3020-03 Conditions: Supply pressure 1.0MPa

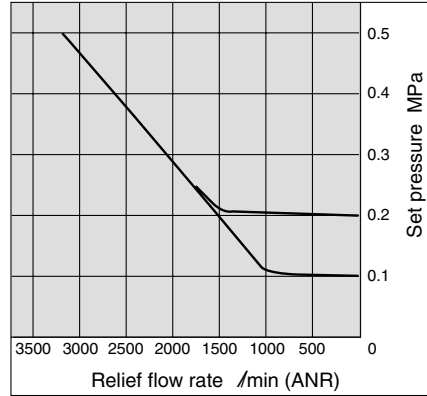


IR3120-03 Conditions: Supply pressure 1.0MPa

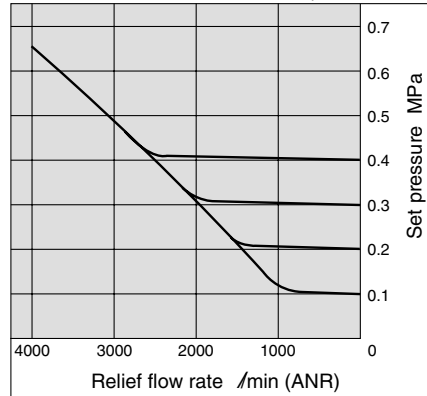


Relief characteristics

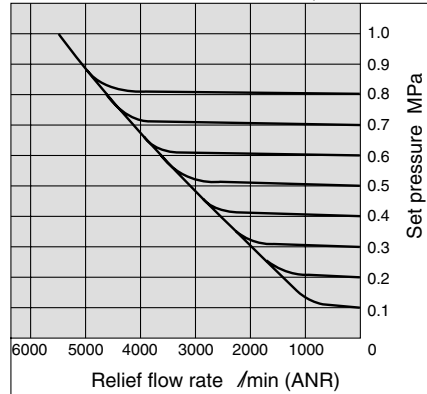
IR3000-03 Conditions: Back pressure 0.5MPa



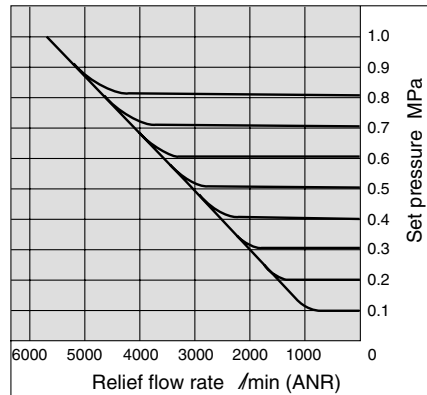
IR3010-03 Conditions: Back pressure 0.7MPa



IR3020-03 Conditions: Back pressure 1.0MPa

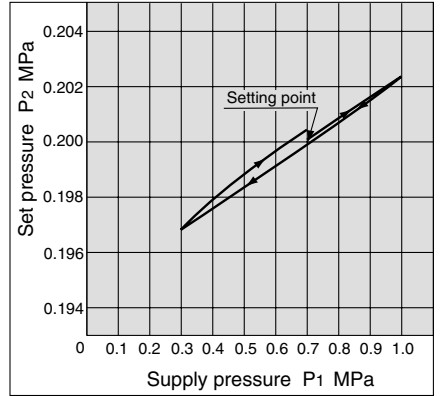


IR3120-03 Conditions: Back pressure 1.0MPa

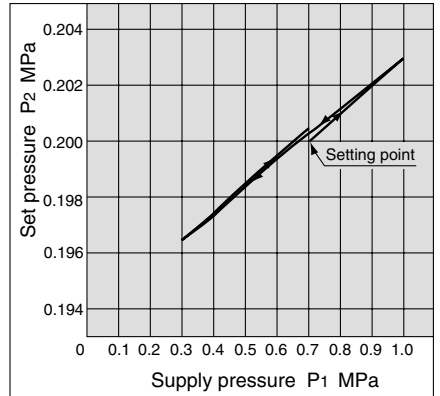


Pressure characteristics

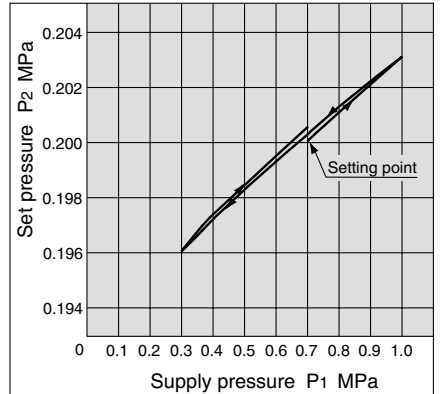
Conditions: Supply pressure 0.7MPa
Set pressure 0.2MPa
Flow rate 0 l/min (ANR)



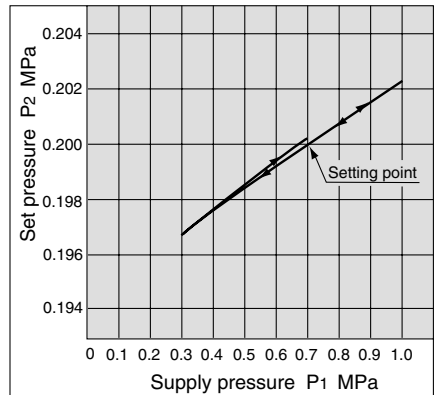
IR3010-03



IR3020-03



IR3120-03



Series IR1000/2000/3000

Made to Order Specifications



Contact SMC for detailed dimensions, specifications and delivery times.

1 Clean Room

10 — Standard model number

Note) Contact SMC if equipped with pressure gauge.

● Clean room specifications

Specifications

Cleanliness	Class 10000
Bleed port	With M5 fitting (applicable tube O.D. ø6)
EXH port	IR1000/2000: M5 fitting (applicable tube O.D. ø6) IR3000: Rc(PT) 1/2 female thread
Grease	Fluoropolymer grease

2 Copper-free

External and internal copper parts are changed to stainless steel or aluminum.

20 — Standard model number

Note) Contact SMC if equipped with pressure gauge.

● Copper-free specifications

3 Ozone Resistant

Fluoro rubber is used for rubber seal materials.

80 — Standard model number

● Ozone resistant specifications

4 For High and Low Temperature Environments

Standard model number — T

● For high/low temperature environments

T	For high temperature
L	For low temperature

Specifications

Symbol	T	L
Environment	For high temp. environments	For low temp. environments
Ambient temperature	-5 to 100°C (Max. 80°C with pressure gauge)	-30 to 60°C
Rubber material	FKM	Special NBR or silicon rubber

5 Non-Grease

Assembly is performed in an ordinary environment without using grease. However, since parts are not washed, they are not completely oil-free.

Standard model number — X1

● Non-grease specifications

6 Manifold (except type IR2120 and series IR3000)

2 to 8 station manifold style regulators.
(Contact SMC regarding 9 or more stations.)

IRM 10 — 3 G —

● Set pressure and quantity

0	0.2MPa setting 1 to n pcs.
1	0.4MPa setting 1 to n pcs.
2	0.8MPa setting 1 to n pcs.

Example 1) 0.4MPa setting with 6 stations
IRM10-6G-16

Example 2) 0.2MPa setting 2 pcs.,
0.4MPa setting 2 pcs.,
0.8MPa setting 1 pc. with 5 stations
IRM20-5G-021221

● Accessory (pressure gauge)

—	None
G	IR1000: G33-□01 IR2000: G43-□01

● Stations

2	2 stations
⋮	⋮
8	8 stations

● Body size

10	IR1000
20	IR2000

● Manifold style regulator

Specifications

Stations	2 to 8 stations	
Ports	Common SUP	IR1000: Rc(PT) 1/4, IR2000: Rc(PT) 3/8
	Individual OUT	IR1000: Rc(PT) 1/8, IR2000: Rc(PT) 1/4
	Individual EXH (from IR body)	
Set pressure	0.2MPa, 0.4MPa and 0.8MPa settings can be combined	
Accessory (pressure gauge)	G33-□-01 (IR1000), G43-□-01 (IR2000)	

Note 1) Regulators to be manifolded are counted starting from station 1 on the left side with the OUT ports in front.


Note 2) When regulators with a different set pressure range are manifolded, viewing OUT ports from front the low pressure range is installed on the left side and the high pressure range is on the right side. In case of the "Example 2)" above mentioned, stations 1 and 2 are of 0.2MPa setting, stations 3 and 4 are of 0.4MPa setting, and station 5 is of 0.8MPa setting.


Note 3) Consult SMC when a blank plate is needed.




Series IR1000/2000/3000 Safety Instructions

These safety instructions are intended to prevent a hazardous situation and /or equipment damage. These instructions indicate the level of potential hazard by labels of "Caution", "Warning" or "Danger". To ensure safety, be sure to observe ISO 4414 ^{Note 1)}, JIS B 8370 ^{Note 2)} and other safety practices.

 **Caution** : Operator error could result in injury or equipment damage.

 **Warning** : Operator error could result in serious injury or loss of life.

 **Danger** : In extreme conditions, there is a possible result of serious injury or loss of life.

Note 1) ISO 4414 : Pneumatic fluid power – Recommendations for the application of equipment to transmission and control systems.

Note 2) JIS B 8370 : Pneumatic system axiom.

Warning

1. The compatibility of pneumatic equipment is the responsibility of the person who designs the pneumatic system or decides its specifications.

Since the products specified here are used in various operating conditions, their compatibility for the specific pneumatic system must be based on specifications or after analysis and /or tests to meet your specific requirements.

2. Only trained personnel should operate pneumatically operated machinery and equipment.

Compressed air can be dangerous if an operator is unfamiliar with it. Assembly, handling or repair of pneumatic systems should be performed by trained and experienced operators.

3. Do not service machinery/equipment or attempt to remove components until safety is confirmed.

1. Inspection and maintenance of machinery/equipment should only be performed after confirmation of safe locked-out control positions.
2. When equipment is to be removed, confirm the safety process as mentioned above. Cut the supply pressure for this equipment and exhaust all residual compressed air in the system.
3. Before machinery/equipment is re-started, take measures to prevent shooting-out of cylinder piston rod, etc. (Bleed air into the system gradually to create back-pressure.)

4. Contact SMC if the product is to be used in any of the following conditions:

1. Conditions and environments beyond the given specifications, or if product is used outdoors.
2. Installation on equipment in conjunction with atomic energy, railway, air navigation, vehicles, medical equipment, food and beverages, recreation equipment, emergency stop circuits, press applications, or safety equipment.
3. An application which has the possibility of having negative effects on people, property, or animals, requiring special safety analysis.



Series IR1000/2000/3000 Precision Regulator Precautions

Be sure to read before handling.

Piping

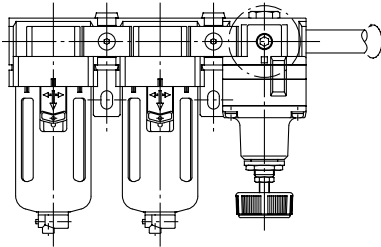
Warning

1. Screw piping together with the recommended proper torque while holding the side with female threads.

Looseness or faulty sealing will occur if tightening torque is insufficient, while thread damage will result if the torque is excessive. Furthermore, if the side with the female threads is not held while tightening, excessive force will be applied directly to piping brackets, etc. causing damage or other problems.

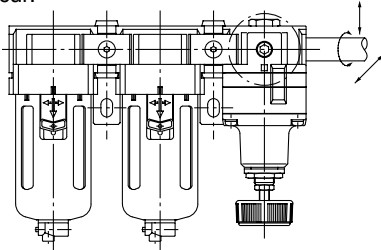
Recommended proper torque N·m (kgf·cm)

Connection thread	1/8	1/4	3/8	1/2
Torque	7 to 9 (70 to 90)	12 to 14 (120 to 140)	22 to 24 (220 to 240)	28 to 30 (280 to 300)



2. Do not allow twisting or bending moment to be applied other than the weight of the equipment itself.

Provide separate support for external piping, as damage may otherwise occur.



3. Since excessive moment loads and the propagation of vibrations, etc. can easily result from inflexible piping made of steel, etc., avoid these problems by using flexible tubing for intermediate connections.

Piping

Caution

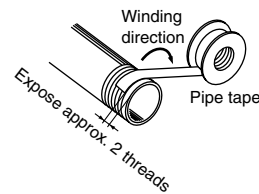
1. Preparation before piping

Before piping is connected, it should be thoroughly blown out with air (flushing) or washed to remove cutting chips, cutting oil and other debris from inside the pipe.

2. Wrapping of pipe tape

When connecting pipes and fittings, etc., be sure that cutting chips from the pipe threads and sealing material do not get inside.

Further, when pipe tape is used, leave 1.5 to 2 thread ridges exposed at the end of the pipe/fitting.



Operating Environment

Warning

1. Do not operate in locations having an atmosphere of corrosive gases, chemicals, sea water, water or steam, or where there will be contact with the same.
2. Do not operate in locations where vibration or impact occurs.
3. In locations which receive direct sunlight, provide a protective cover, etc.
4. In locations near heat sources, block off any radiated heat.
5. In locations where there is contact with spatter from water, oil or solder, etc., implement suitable protective measures.

Air Supply

Warning

1. These products are designed for use with compressed air. Contact SMC if any other fluid will be used.
2. Do not use compressed air which includes chemicals, synthetic oils containing organic solvents, salt, or corrosive gases, etc., as this can cause damage or malfunction.
3. If drainage is not removed from air filters and mist separators, it can flow out to the downstream side and lead to the malfunction of pneumatic equipment.

In cases where the management of drainage removal will be difficult, the use of filters with auto drains is recommended.



Series IR1000/2000/3000 Specific Product Precautions

Be sure to read before handling.

Refer to pages 9 and 10 for safety instructions and precautions.

Air Supply

⚠ Caution

1. If the supply pressure line contains drainage or dirt, etc., the fixed throttle can become clogged leading to malfunction, and therefore, in addition to an air filter (SMC Series AF) be sure to use a mist separator (SMC Series AM, AFM).

Refer to SMC's "Compressed Air Cleaning Systems" catalog regarding air quality.

2. Never use a lubricator on the supply side of the regulator, as this will positively cause the fixed throttle to become clogged and lead to malfunction. If lubrication is required for terminal devices, connect a lubricator on the output side of the regulator.

Maintenance

⚠ Warning

1. When the valve guide (refer to construction drawing on page 3) is to be removed during maintenance, first reduce the set pressure to "0" and completely shut off the supply pressure.
2. When a pressure gauge is to be mounted, remove the plug after reducing the set pressure to "0".

Precautions for IR10□0 only

⚠ Warning

1. When remounting the valve guide after removing it for maintenance, use a tightening torque of no more than 0.6N·m (6kgf·cm). Since the valve guide on this product is made of resin, there is a danger of damage if tightened with a torque exceeding the prescribed value.

Operation

⚠ Caution

1. Do not use a precision regulator outside the range of its specifications as this can cause failure. (Refer to specifications.)
2. When mounting is performed, make connections while confirming port indications.

Operation

⚠ Caution

3. If a directional switching valve (solenoid valve, mechanical valve, etc.) is mounted on the supply side of the regulator and repeatedly switched ON and OFF, wear of the nozzle/flapper section will be accelerated and a discrepancy in the setting value may occur. Therefore, avoid using a directional switching valve on the supply side. In the event a directional switching valve will be used, install it on the output side of the regulator.
4. Air is normally discharged from the bleed port (the hole on the side of the body's mid-section). This is a necessary consumption of air based on the construction of the precision regulator, and is not an abnormality.
5. Be sure to tighten the lock nut after pressure adjustment.

Precautions for IR30□0, IR3120 only

⚠ Caution

1. The supply pressure is relatively high (approx. 0.5MPa or more), the set pressure is low (approx. 0.1MPa or less), and when operated with the output side released to the atmosphere, there may be pulsations in the setting side pressure. In this kind of situation, operate with the supply pressure reduced as much as possible, or increase the set pressure somewhat and restrict the output line (add and adjust a stop valve, etc.).
2. The capacity of the output side is large, and when used for the purpose of a relief function, the exhaust sound will be loud when being relieved. Therefore, operate with a silencer (SMC Series AN) mounted on the exhaust port (EXH port). The connection is Rc(PT) 1/2.

Precautions for IR2120, IR3120 (air operated type) only

⚠ Caution

1. Since the output of types IR2120 and IR3120 is the same pressure as the input signal pressure, select a type of regulator (general purpose or precision type) for input signal pressure adjustment according to the application.
2. The screw on the topmost section is a zero point adjustment screw which is locked at the factory and requires no adjustment for operation.