



Pneumatic-Valves

Series B43

G¹/₈, 3/2 and 5/2 Spool valves

Catalogue no: 2131GB-ca



Directional control valves G¹/₈ 3/2 - 5/2

Spool valves 3/2, 5/2 - G¹/₈ Ports

Available in 3/2 or 5/2 versions, all valves including double pilot and double solenoid types may be mounted in any position. The balanced spool design ensures that operating forces remain unaffected by variations in inlet pressure.

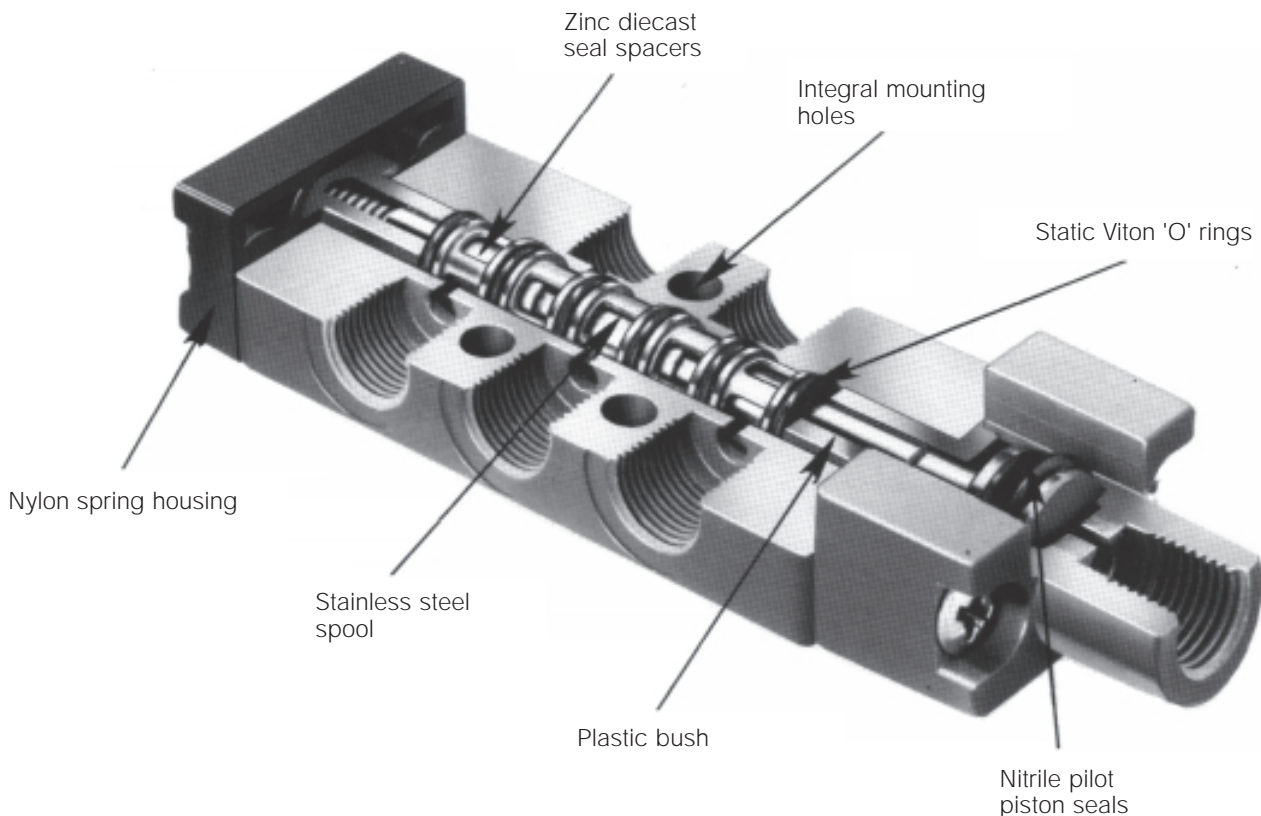
The body is a zinc alloy die-casting with stainless steel spool, sealed by viton rubber 'O' rings. All operating parts exposed to the working fluid are of non-corrosive material and all ports are threaded G¹/₈ B.S.P. parallel. The block design of the body with its three mounting holes is ideally suited to close banking and all valves may be serviced without disturbing the pipework simply by unscrewing the actuator and return assemblies.

The 3/2 valve can be piped normally open or closed simply by changing the air inlet from the normal inlet port to the exhaust port, and the 5/2 valve can be piped in different variations to suit the application required. Midget spool valves can also be used as impulse type valves, when the signal is required at the end of the cylinder stroke or when the tripping cylinder or machine cam is too small to clear the mechanical trip of the valve.

Operation of the actuator on the 5/2 valve opens the cylinder port nearest to the actuator. On the 3/2 version the inlet is piped to the port furthest away from the actuator for normally closed operation, and to the port nearest the actuator for normally open. Any of the actuators may be fitted with spring or pilot return mechanism. Valves may also be supplied with the same actuator at both ends; e.g. double roller. Roller versions are designed to give a common height on both 3/2 and 5/2 valves to ensure uniformity and efficiency in a multi-valve assembly.

The reasonably short travel and lightweight spool ensures that extremely high operating speeds are possible. A double pilot 5/2 valve has been tested at over 3000 cycles per minute, but for practical purposes the operating speed of the valve is determined by cylinder stroke and bore size.

Features



Directional control valves G¹/₈ 3/2 - 5/2

Basic body dimensions (mm)

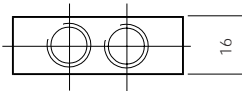
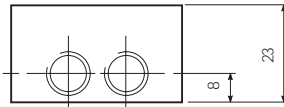
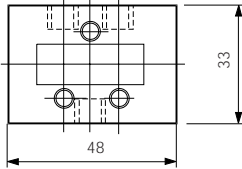
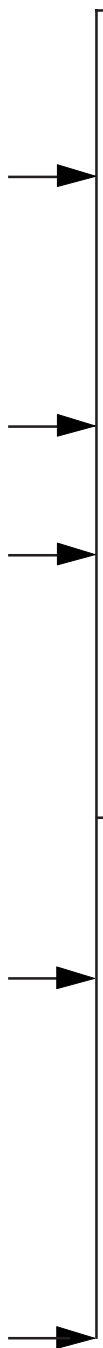
Actuator mechanisms

Basic bodies

Return mechanisms

3/2 body

Solenoid pilot

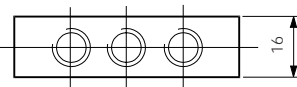
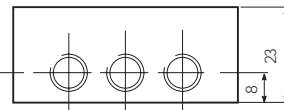
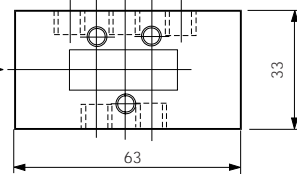


Air pilot

Mechanical

- Plunger
- Whisker
- Roller
- One way trip
- One way roller trip

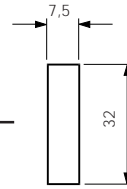
5/2 body



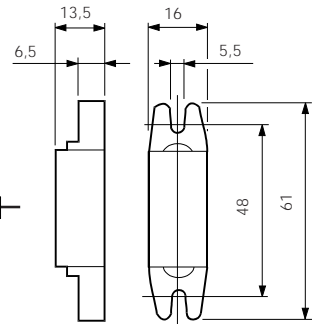
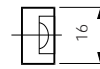
Manual

- Button
- Lock down lever
- Palm lever
- Foot

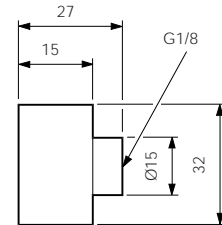
Facia actuators Ø22mm



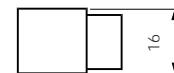
Standard spring return housing



Optional foot mounting spring return housing

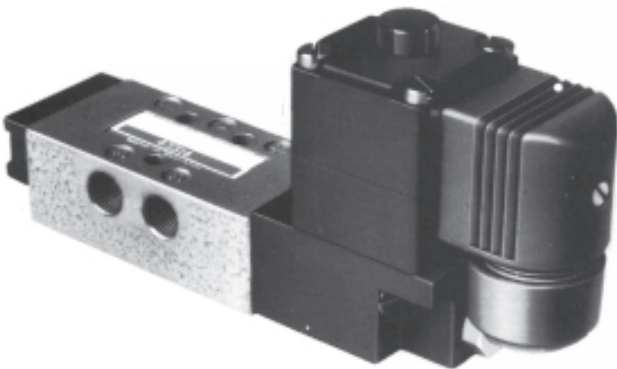


Air pilot housing



Directional control valves G¹/₈ 3/2 - 5/2

Solenoid pilot operated - spring return



Symbol



Materials

Body	Zinc diecast
Actuator	Zinc diecast
Spool	Stainless steel
Bushes	Brass
Seals	Viton (valve body) Nitrile (solenoid)
Spring housing	Plastic

Technical information

Type	Spool valve
Style	Body ported
Port size	G ¹ / ₈
Mounting	Any plane
Temperature range	-10°C to +55°C

Pneumatic information

Pressure range	Vacuum to 10 bar	
Minimum	Spring return	3 bar
Nominal Ø	3,2mm	
Nominal flow at 7 bar	7 dm ³ /s	
Cv factor	0,24	

Electrical information

Power consumption	Inrush	Hold
AC	9VA	6VA
DC	5 Watt	
Rating	100% continuous	
Isolating class	F	
Protection class	IP 65 (P 54) DIN 40 050	
Connection	ISO 4400, BS 56361	

Voltage selection

Suffix	50 Hz	D.C.
T	10-13	5-6.5
TA	20-26	10-13
TF	44-55	20-26
TC	85-110	44-55
S	94-120	47-60
TS	153-198	76-99
SA	204-264	102-132

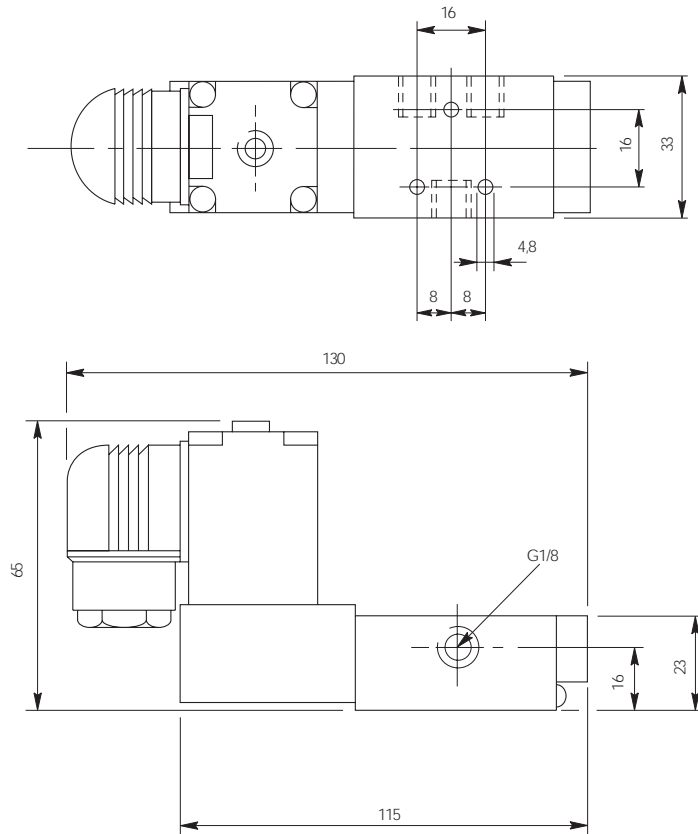
Ordering information

Part nos.	Type	Actuator	Return	Symbol
LB43313*	3/2	Solenoid pilot	Spring	
LB43314*	5/2	Solenoid pilot	Spring	

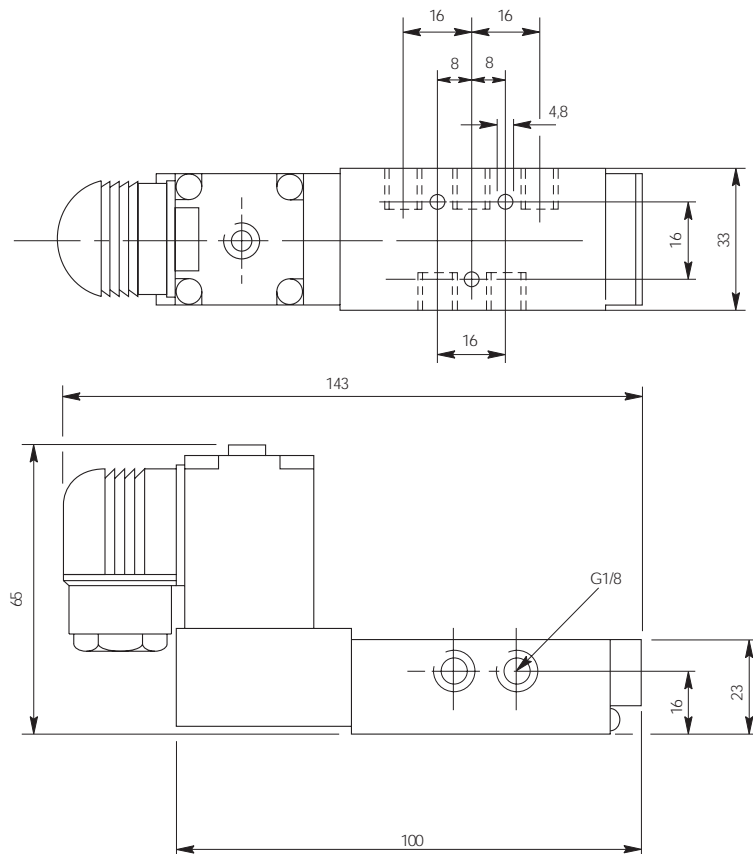
*Specify voltage and add suffix letters
For manual override add suffix M to part no.

Directional control valves G^{1/8} 3/2 - 5/2

3/2 valve dimensions (mm)

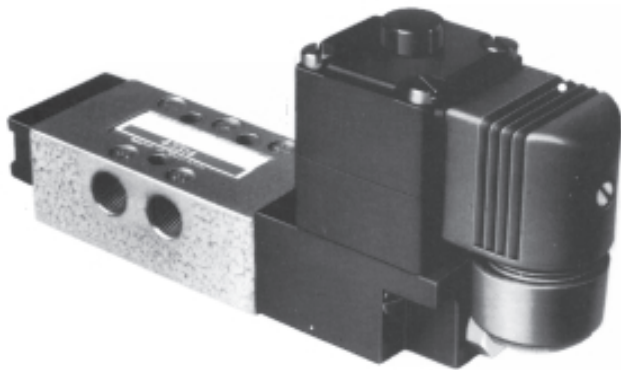


5/2 valve dimensions (mm)



Directional control valves G¹/₈ 3/2 - 5/2

Solenoid pilot operated - pilot return



Symbol



Materials

Body	Aluminium
Actuator	Zinc diecast
Spool	Stainless steel
Bushes	Brass
Seals	Viton (valve body) Nitrile (solenoid)

Technical information

Type	Spool valve
Style	Body ported
Port size	G ¹ / ₈
Mounting	Any plane
Temperature range	-10°C to +55°C

Pneumatic information

Pressure range	Vacuum to 10 bar
Minimum	Spring return 3 bar
Nominal Ø	3,2mm
Nominal flow at 7 bar	7 dm ³ /s
Cv factor	0,24

Electrical information

Power consumption	Inrush	Hold
AC	9VA	6VA
DC	5 Watt	
Rating	100% continuous	
Isolating class	F	
Protection class	IP 65 (P 54) DIN 40 050	
Connection	ISO 4400, BS 56361	

Voltage selection

Suffix	50 Hz	D.C.
T	10-13	5-6.5
TA	20-26	10-13
TF	44-55	20-26
TC	85-110	44-55
S	94-120	47-60
TS	153-198	76-99
SA	204-264	102-132

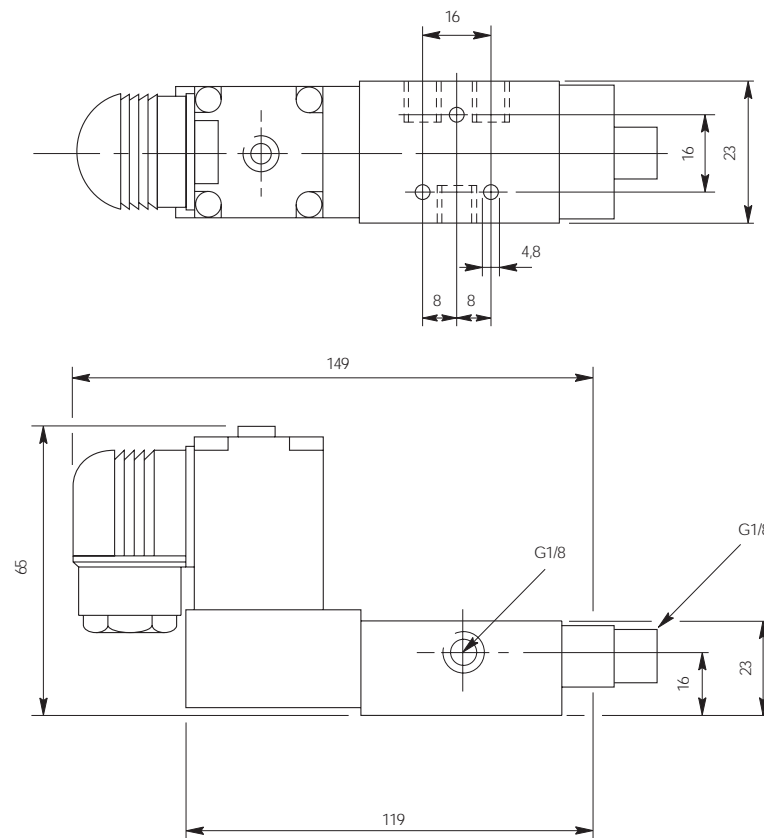
Ordering information

Part nos.	Type	Actuator	Return	Symbol
LB43333*	3/2	Solenoid pilot	Air pilot	
LB43334*	5/2	Solenoid pilot	Air pilot	

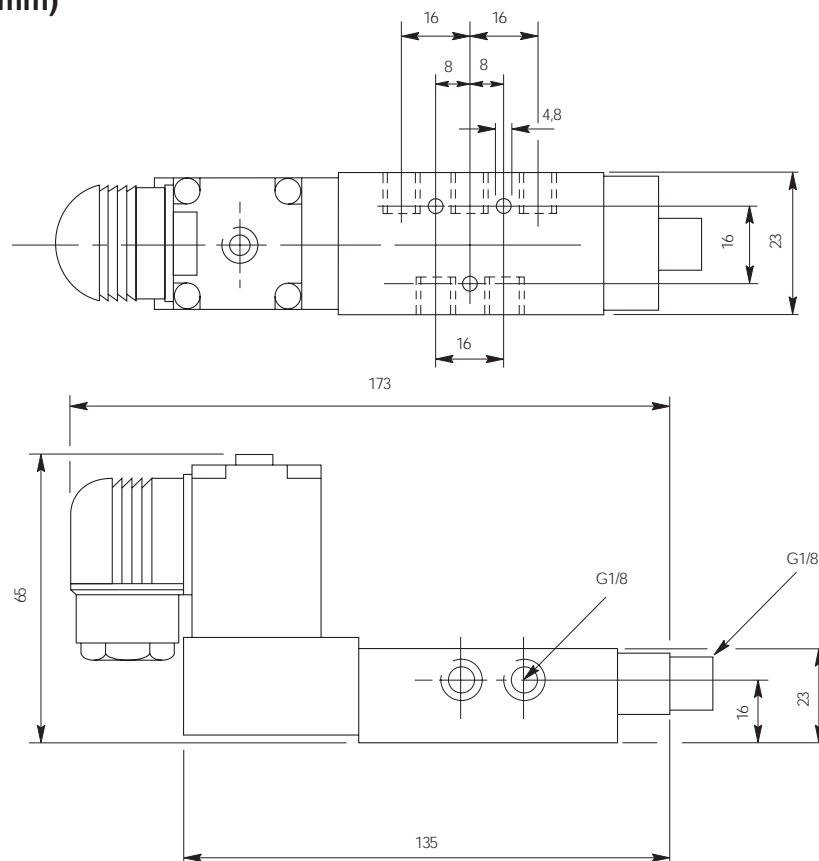
*Specify voltage and add suffix letters
For manual override add suffix M to part no.

Directional control valves G¹/₈ 3/2 - 5/2

3/2 valve dimensions (mm)

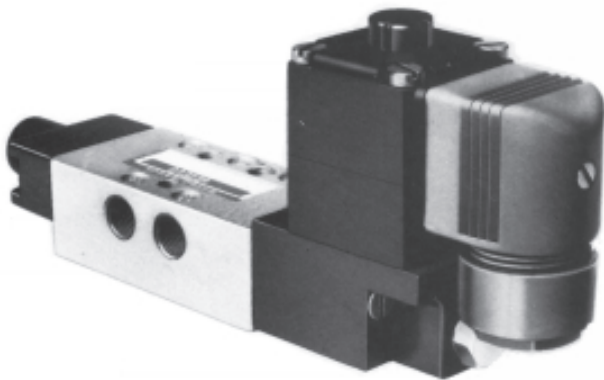


5/2 valve dimensions (mm)

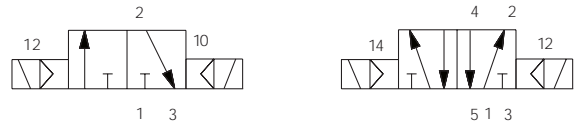


Directional control valves G¹/₈ 3/2 - 5/2

Double solenoid pilot operated valves



Symbol



Materials

Body	Zinc diecast
Actuator	Zinc diecast
Spool	Stainless steel
Bushes	Brass
Seals	Viton (valve body) Nitrile (solenoid)

Technical information

Type	Spool valve
Style	Body ported
Port size	G ¹ / ₈
Mounting	Any plane
Temperature range	-10°C to +55°C

Pneumatic information

Pressure range	Vacuum to 10 bar	
Minimum	Spring return	3 bar
Nominal Ø	3,2mm	
Nominal flow at 7 bar	7 dm ³ /s	
Cv factor	0,24	

Electrical information

Power consumption	Inrush	Hold
	AC 9VA	6VA
	DC 5 Watt	
Rating	100% continuous	
Isolating class	F	
Protection class	IP 65 (P 54) DIN 40 050	
Connection	ISO 4400, BS 56361	

Voltage selection

Suffix	50 Hz	D.C.
T	10-13	5-6.5
TA	20-26	10-13
TF	44-55	21-26
TC	85-110	43-55
S	94-121	54-69
TS	153-242	94-121
SA	204-264	102-132

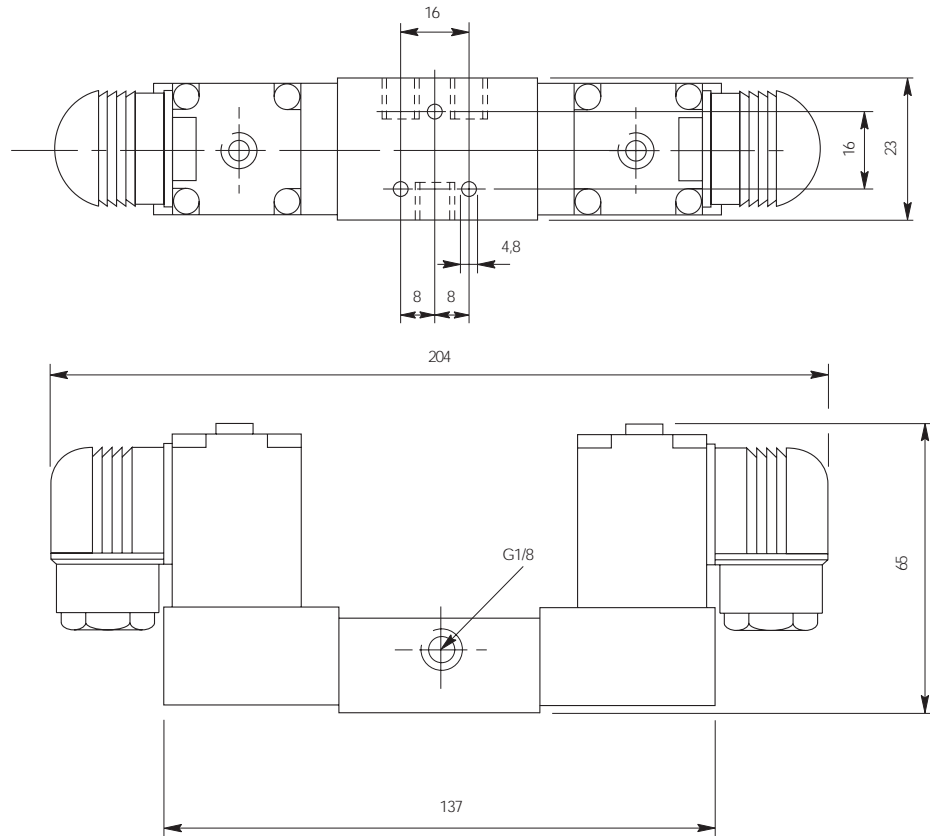
Ordering information

Part nos.	Type	Actuator	Return	Symbol
LB43323*	3/2	Solenoid pilot	Solenoid pilot	
LB43324*	5/2	Solenoid pilot	Solenoid pilot	

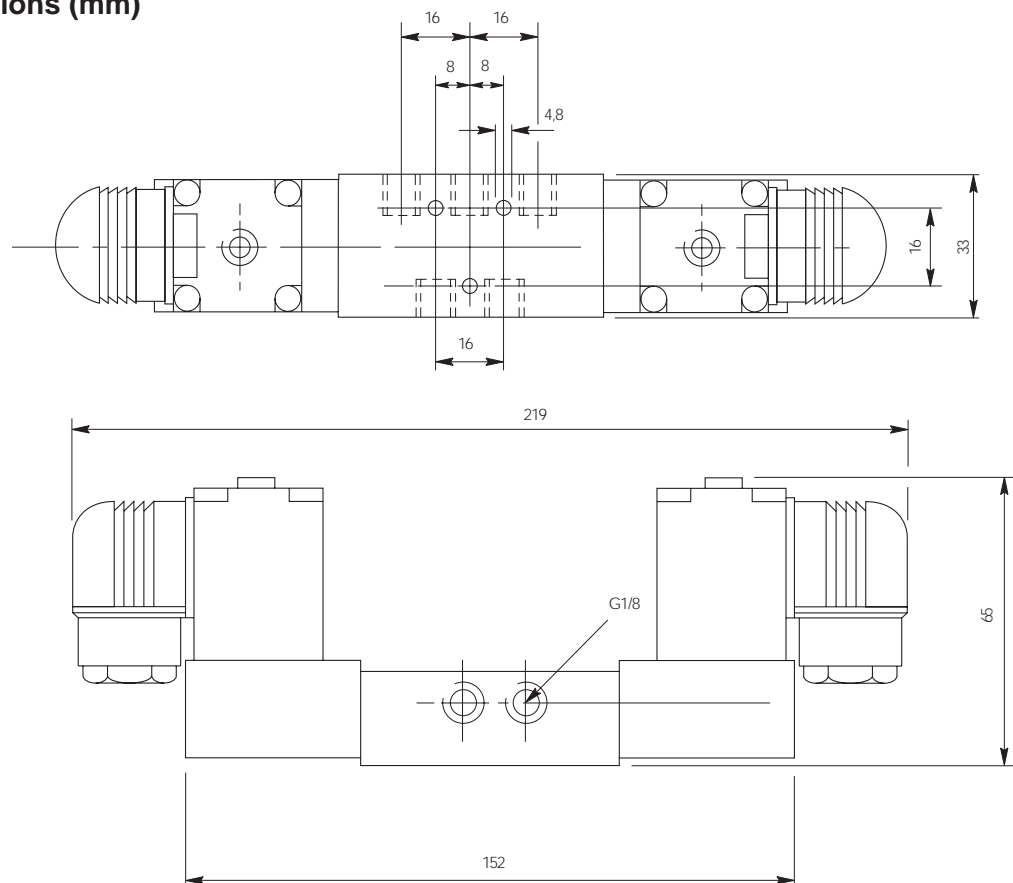
*Specify voltage and add suffix letters
For manual override add suffix M to part no.

Directional control valves G¹/₈ 3/2 - 5/2

3/2 valve dimensions (mm)

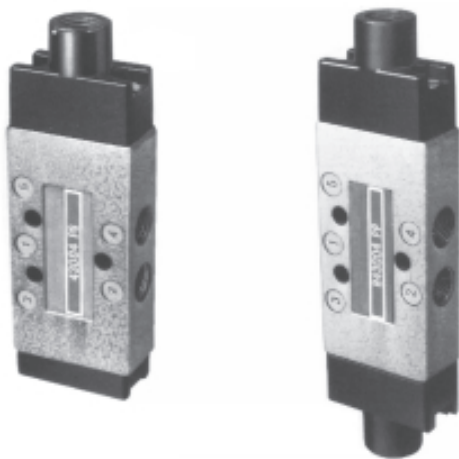


5/2 valve dimensions (mm)

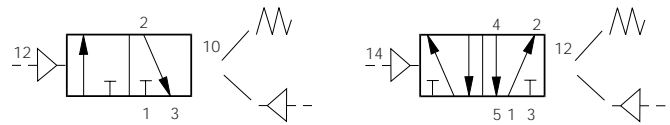


Directional control valves G¹/₈ 3/2 - 5/2

Air pilot operated valves



Symbol



Materials

Body	Zinc diecast
Actuator	Zinc diecast
Spool	Stainless steel
Bushes	Brass
Seals	Viton (valve body)
Spring housing	Nylon

Technical information

Type	Spool valve
Style	Body ported
Port size	G ¹ / ₈
Mounting	Any plane
Temperature range	-10°C to +80°C

Pneumatic information

Pressure range	Vacuum to 10 bar	
Minimum pilot pressure	Spring return Air pilot return	3 bar 2 bar
Nominal Ø	3,2mm	
Nominal flow at 7 bar	7 dm ³ /s	
Cv factor	0,24	

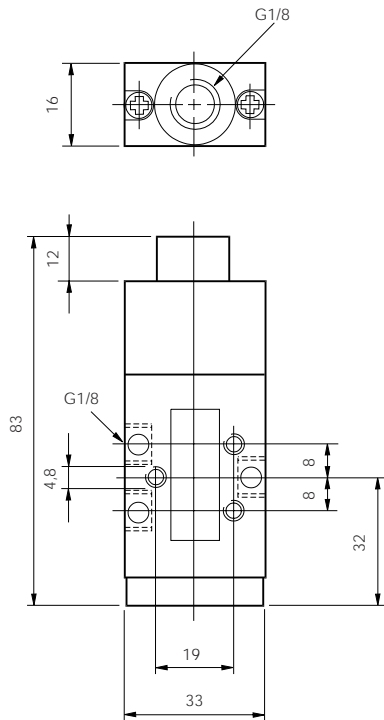
Ordering information

Part nos.	Type	Actuator	Return	Symbol
B43003PS	3/2	Air pilot	Spring	
B43004PS	5/2	Air pilot	Spring	
B43003PP	3/2	Air pilot	Air pilot	
B43004PP	5/2	Air pilot	Air pilot	

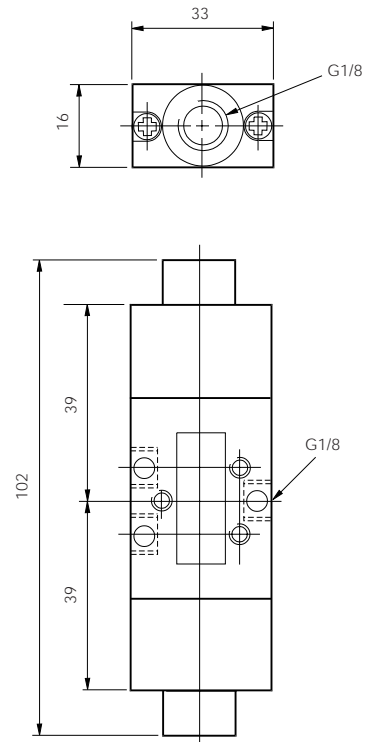
Directional control valves G¹/₈ 3/2 - 5/2

3/2 valve dimensions (mm)

Air pilot operated
spring return

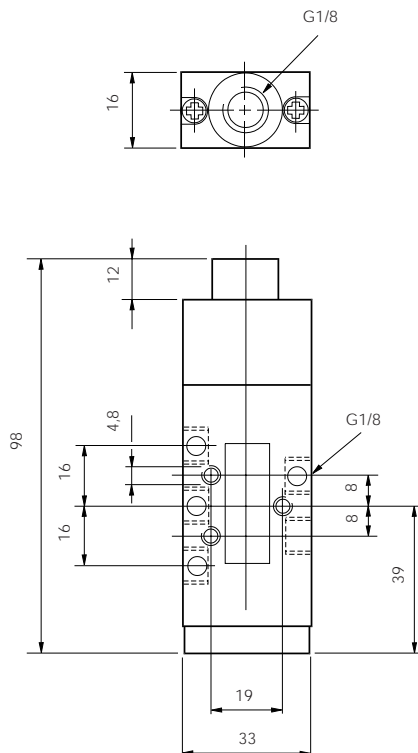


Air pilot operated
Air pilot return

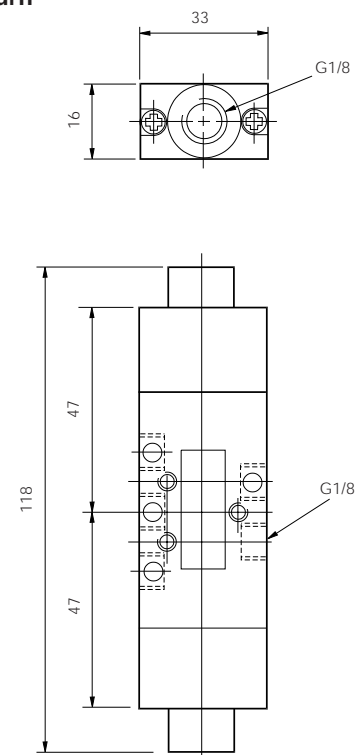


5/2 valve dimensions (mm)

Air pilot operated
spring return



Air pilot operated
Air pilot return

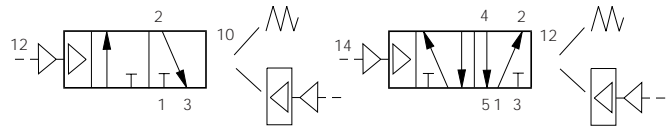


Directional control valves G¹/₈ 3/2 - 5/2

Diaphragm operated valves



Symbol



Materials

Body	Zinc diecast
Actuator	Zinc diecast
Spool	Stainless steel
Bushes	Brass
Seals	Viton
Spring housing	Zinc diecast
Diaphragm	Nitrile

Technical information

Type	Spool valve
Style	Body ported
Port size	G ¹ / ₈
Mounting	Any plane
Temperature range	-10°C to +80°C

Pneumatic information

Pressure range	Vacuum to 10 bar	
Minimum pilot pressure	Spring return	0,3 bar
	Diaphragm return	0,13 bar
Nominal Ø	3,2mm	
Nominal flow at 7 bar	7 dm ³ /s	
Cv factor	0,24	

Ordering information

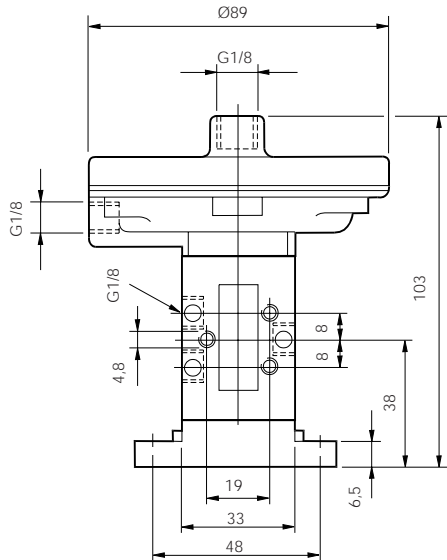
Part nos.	Type	Actuator	Return	Symbol
B43003DF	3/2	Diaphragm	Spring	
B43004DF	5/2	Diaphragm	Spring	
B43003DD	3/2	Diaphragm	Diaphragm	
B43004DD	5/2	Diaphragm	Diaphragm	
B43004D-50	Mounting bracket kit			

Comprises: 1 bracket, 3 bolts and nuts

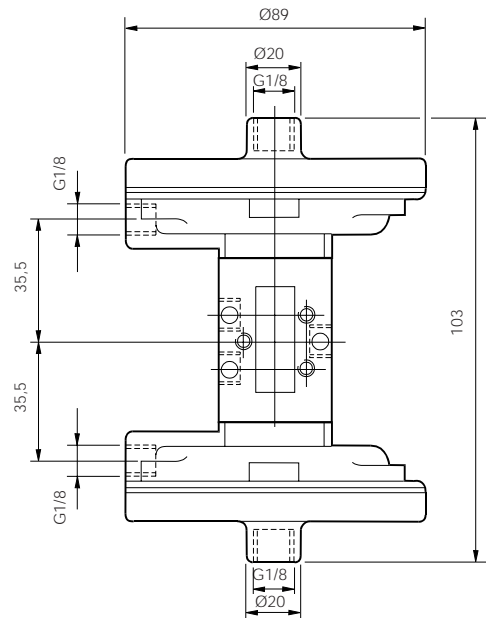
Directional control valves G¹/₈ 3/2 - 5/2

3/2 valve dimensions (mm)

Diaphragm operated
spring return

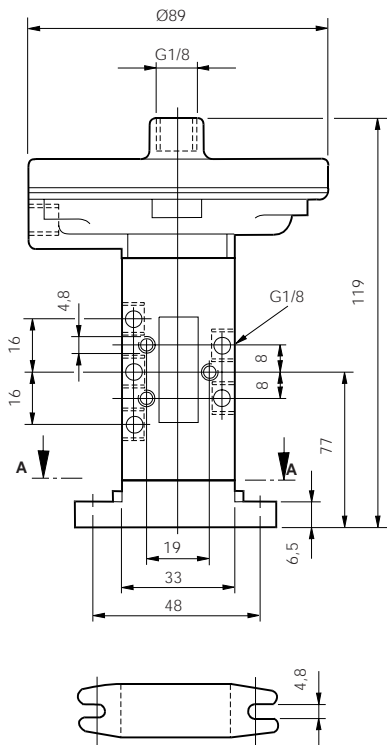


Diaphragm operated
Diaphragm return

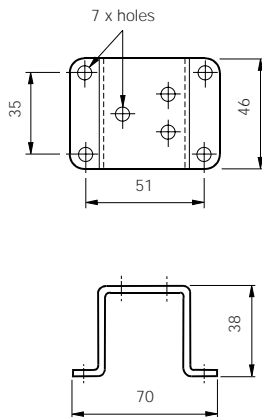


5/2 valve dimensions (mm)

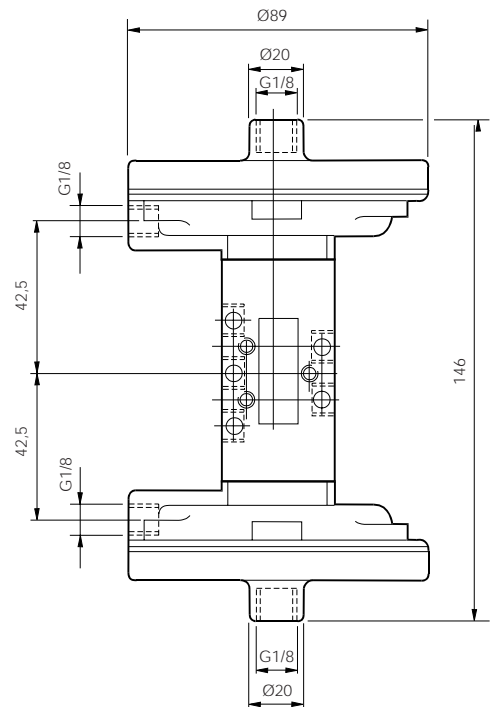
Diaphragm operated
spring return



Mounting brackets

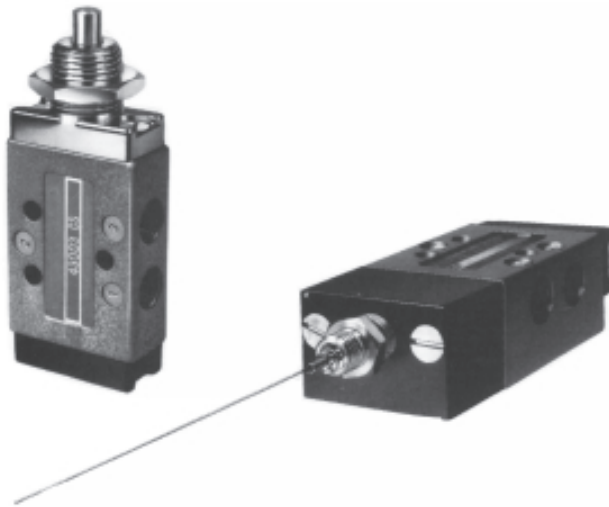


Diaphragm operated
Diaphragm return

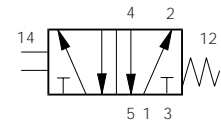
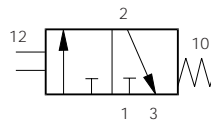


Directional control valves G¹/₈ 3/2 - 5/2

Mechanically operated valves



Symbol



Materials

Body	Zinc diecast
Actuator	Zinc diecast
Spool	Stainless steel
Bushes	Brass
Seals	Viton
Spring housing	Nylon

Technical information

Type	Spool valve
Style	Body ported
Port size	G ¹ / ₈
Mounting	Any plane
Temperature range	-10°C to +80°C

Pneumatic information

Pressure range	Vacuum to 10 bar
Minimum pilot pressure	3 bar
Nominal Ø	3,2mm
Nominal flow at 7 bar	7 dm ³ /s
Cv factor	0,24

Ordering information

Part nos.	Type	Actuator	Return	Symbol	Optional air pilot return
B43003CS	3/2	Plunger	Spring		
B43004CS	5/2	Plunger	Spring		
B43003W	3/2	Whisker normally closed	Spring		
B43004WO	5/2	Whisker normally open	Spring		
B43004W	5/2	Whisker	Spring		

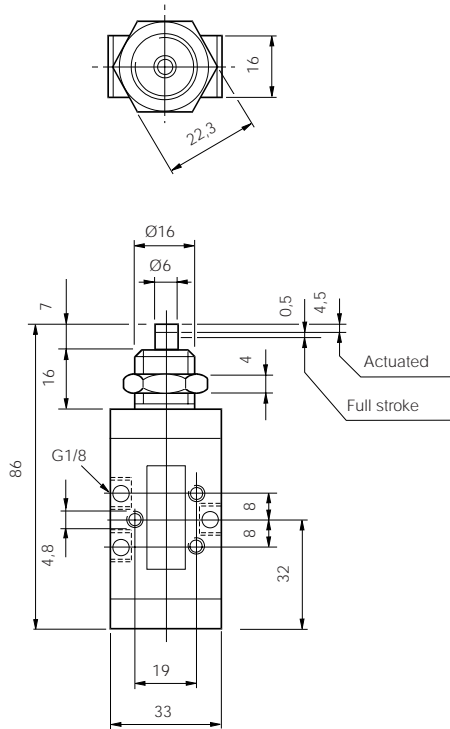
Note: All valves featured on this page are available with an air pilot return mechanism.

To order delete 'S' for spring and add 'P'. e.g. **B43003CP**
For dimensions of air pilot housing see page 3.

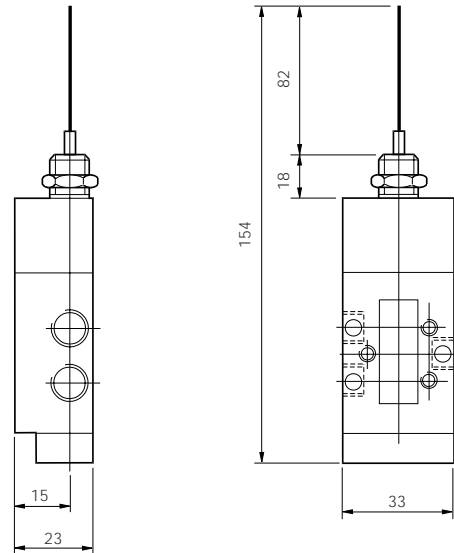
Directional control valves G¹/₈ 3/2 - 5/2

3/2 valve dimensions (mm)

Plunger operated
spring return

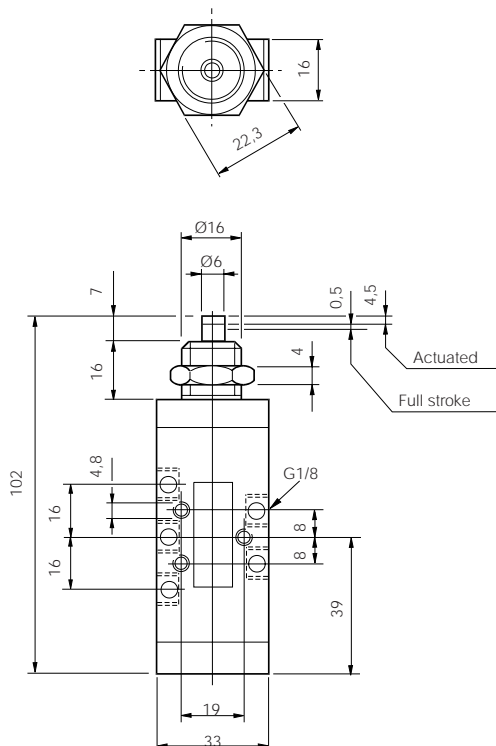


Whisker operated
spring return

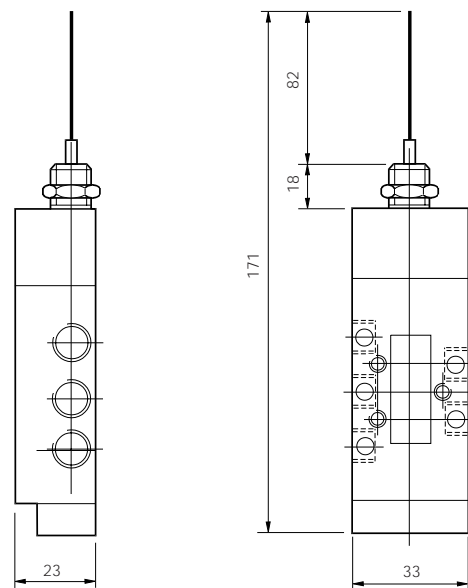


5/2 valve dimensions (mm)

Plunger operated
spring return



Whisker operated
spring return

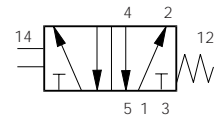
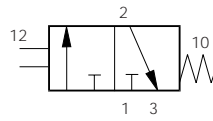


Directional control valves G¹/₈ 3/2 - 5/2

Mechanically operated valves



Symbol



Materials

Body	Zinc diecast
Actuator	Zinc diecast
Spool	Stainless steel
Bushes	Brass
Seals	Viton
Spring housing	Nylon

Technical information

Type	Spool valve
Style	Body ported
Port size	G ¹ / ₈
Mounting	Any plane
Temperature range	-10°C to +80°C

Pneumatic information

Pressure range	Vacuum to 10 bar
Minimum pilot pressure	3 bar
Nominal Ø	3,2mm
Nominal flow at 7 bar	7 dm ³ /s
Cv factor	0,24

Ordering information

Part nos.	Type	Actuator	Return	Symbol	Optional air pilot return
B43003RS	3/2	Roller	Spring		
B43004RS	5/2	Roller	Spring		
B43003RTS	3/2	One way roller trip	Spring		
B43004RTS	5/2	One way roller trip	Spring		
B43003RT	3/2	One way trip	Spring		
B43004RT	5/2	One way trip	Spring		

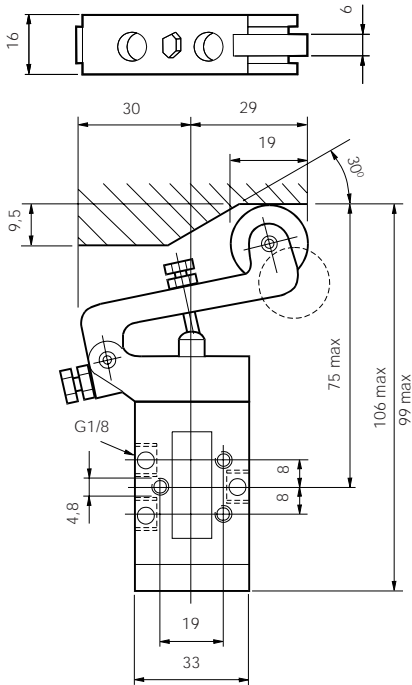
Note: All valves featured on this page are available with an air pilot return mechanism.

To order delete 'S' for spring and add 'P'. e.g. **B43003CP**
For dimensions of air pilot housing see page 3.

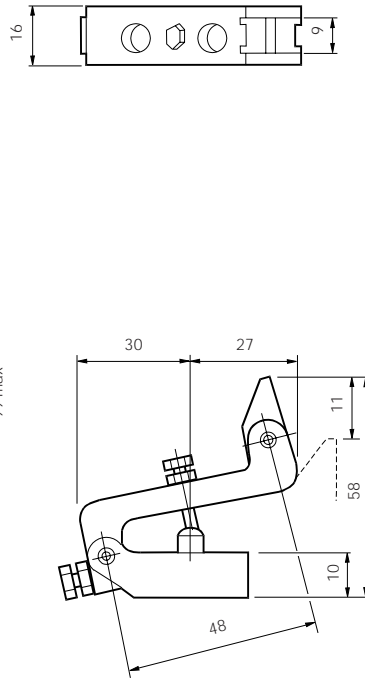
Directional control valves G¹/₈ 3/2 - 5/2

3/2 valve dimensions (mm)

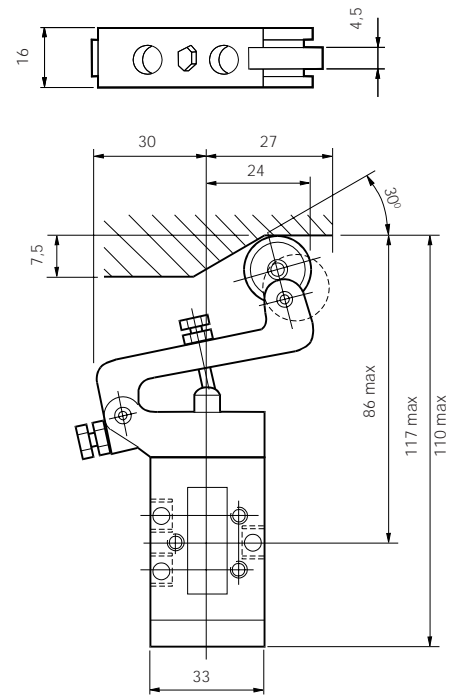
Roller operated
spring return



One way trip

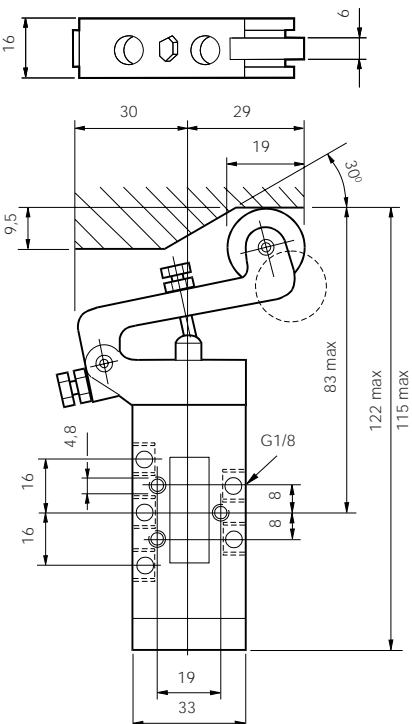


One way roller trip operated
spring return

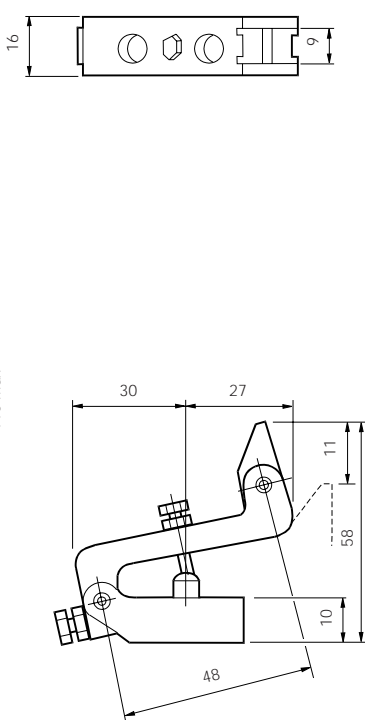


5/2 valve dimensions (mm)

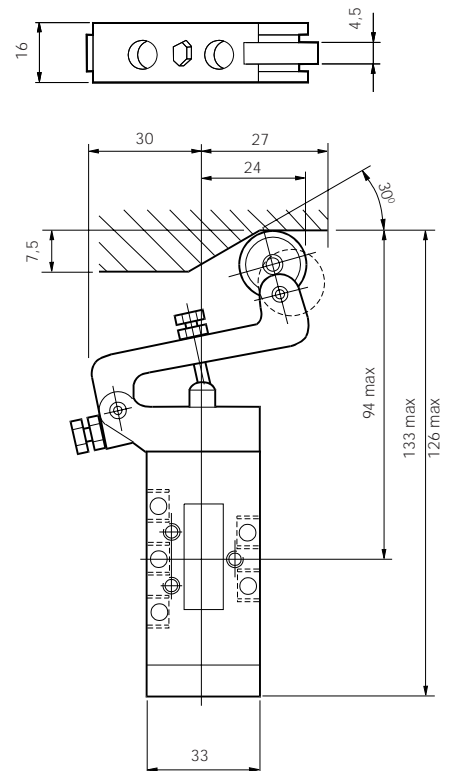
Roller operated
spring return



One way trip



One way roller trip operated
spring return

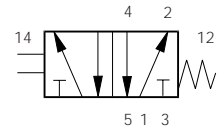
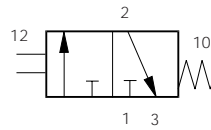


Directional control valves G¹/₈ 3/2 - 5/2

Manually operated valves



Symbol



Materials

Body	Zinc diecast
Actuator	Zinc diecast
Spool	Stainless steel
Bushes	Brass
Seals	Viton
Spring housing	Nylon

Technical information

Type	Spool valve
Style	Body ported
Port size	G ¹ / ₈
Mounting	Any plane
Temperature range	-10°C to +55°C

Pneumatic information

Pressure range	Vacuum to 10 bar
Minimum pilot pressure	3 bar
Nominal Ø	3,2mm
Nominal flow at 7 bar	7 dm ³ /s
Cv factor	0,24

Ordering information

Part nos.	Type	Actuator	Return	Symbol	Optional air pilot return
B43003BS	3/2	Button	Spring		
B43004BS	5/2	Button	Spring		
B43003HS	3/2	Button	Button		
B43004HS	5/2	Button	Button		
B43003LS	3/2	Lock down lever	Spring		
B43004LS	5/2	Lock down lever	Spring		

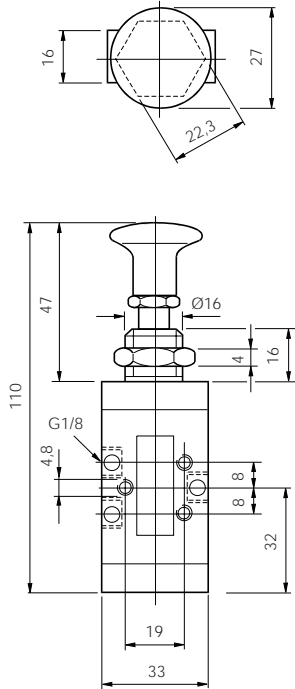
Note: All valves featured on this page are available with an air pilot return mechanism.

To order delete 'S' for spring and add 'P'. e.g. **B43003CP**
For dimensions of air pilot housing see page 3.

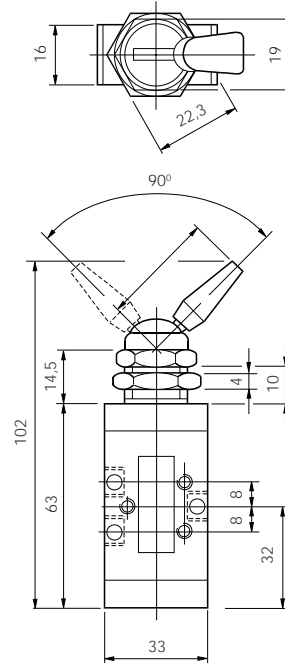
Directional control valves G¹/₈ 3/2 - 5/2

3/2 valve dimensions (mm)

Button operated
spring or button return

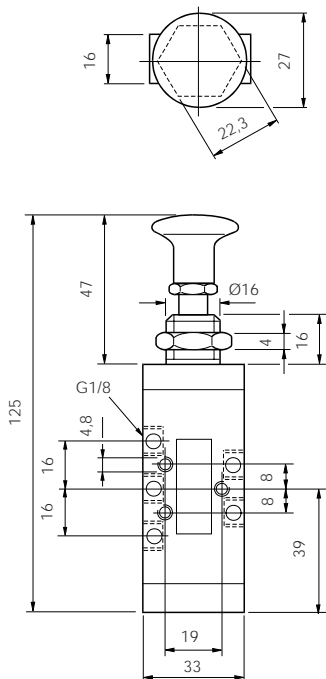


Lock down lever operated
spring return

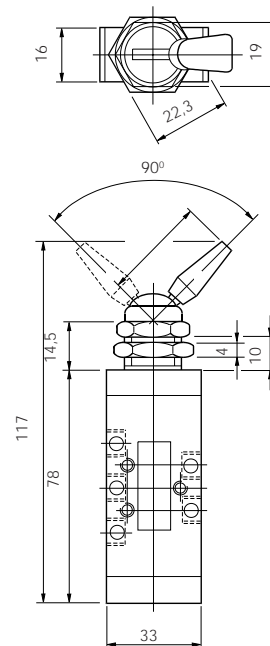


5/2 valve dimensions (mm)

Button operated
spring or button return

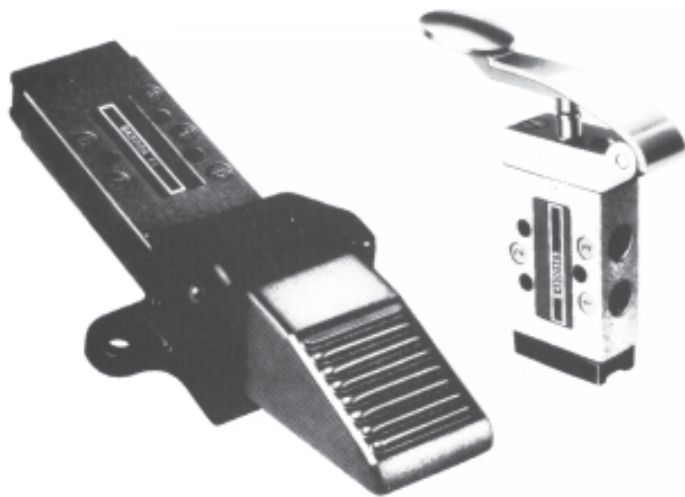


Lock down lever operated
spring return

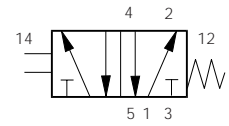
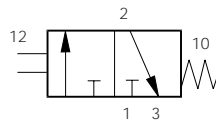


Directional control valves G¹/₈ 3/2 - 5/2

Manually operated valves



Symbol



Materials

Body	Zinc diecast
Actuator	Zinc diecast
Spool	Stainless steel
Bushes	Brass
Seals	Viton
Spring housing	Nylon

Technical information

Type	Spool valve
Style	Body ported
Port size	G ¹ / ₈
Mounting	Any plane
Temperature range	-10°C to +55°C

Pneumatic information

Pressure range	Vacuum to 10 bar
Minimum pilot pressure	3 bar
Nominal Ø	3,2mm
Nominal flow at 7 bar	7 dm ³ /s
Cv factor	0,24

Ordering information

Part nos.	Type	Actuator	Return	Symbol	Optional air pilot return
B43003ES	3/2	Palm lever	Spring		
B43004ES	5/2	Palm lever	Spring		
B43003FS	3/2	Foot pedal	Spring		
B43004FS	5/2	Foot pedal	Spring		

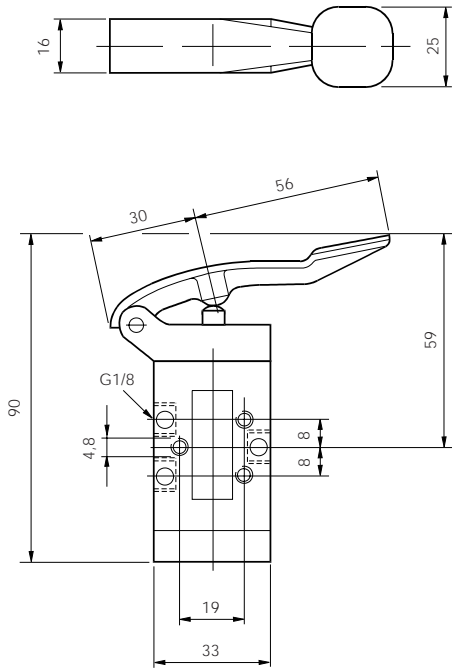
Note: All valves featured on this page are available with an air pilot return mechanism.

To order delete '**S**' for spring and add '**P**'. e.g. **B43003CP**
For dimensions of air pilot housing see page 3.

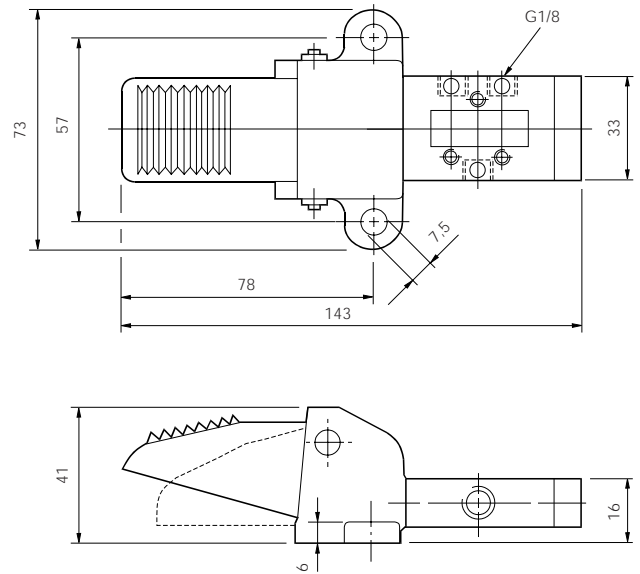
Directional control valves G¹/₈ 3/2 - 5/2

3/2 valve dimensions (mm)

Palm lever operated
spring return

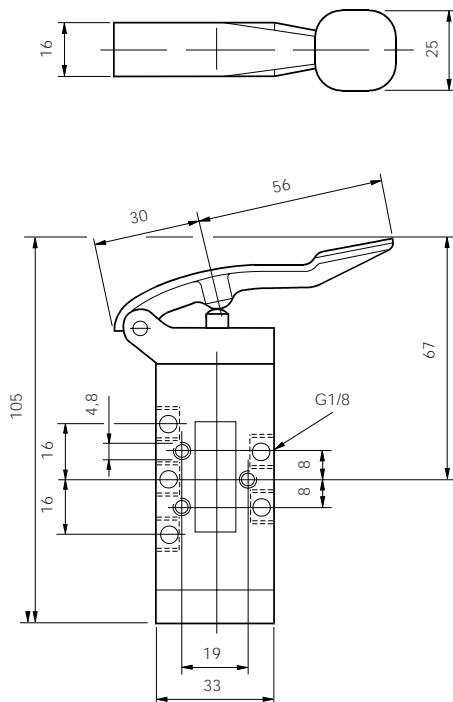


Foot pedal operated
spring return

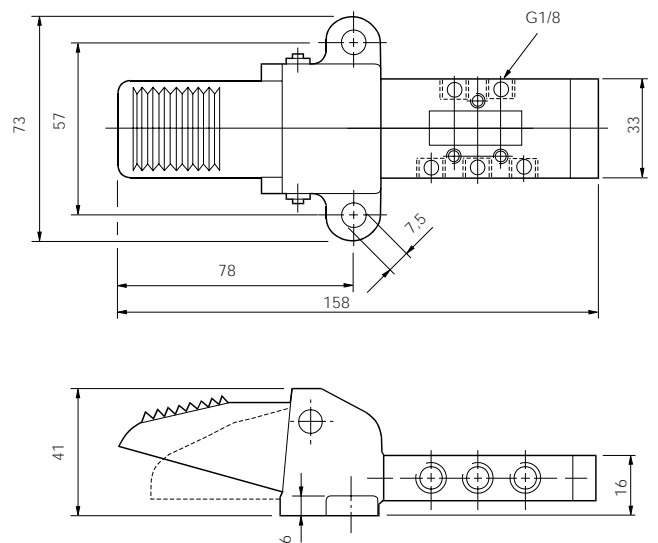


5/2 valve dimensions (mm)

Palm lever operated
spring return

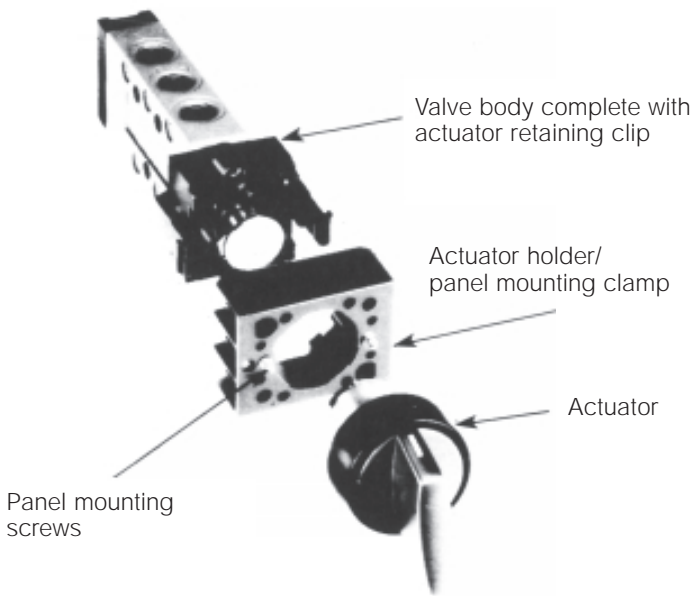


Foot pedal operated
spring return

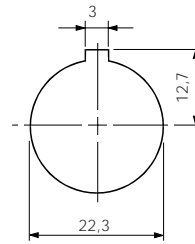


Facia actuators Ø22mm, G¹/₈ 3/2 - 5/2

The system



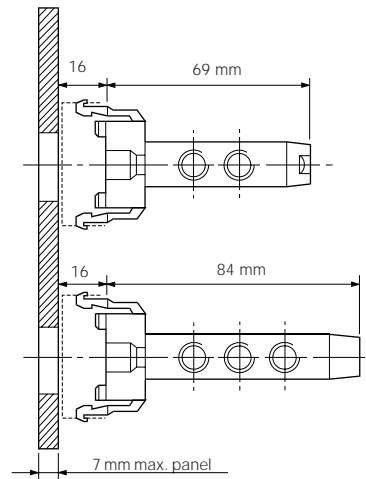
Ø22mm



Basic valve with adaptor

Part no.	Type	Symbol
B43003-100A	3/2	
B43004-100A	5/2	

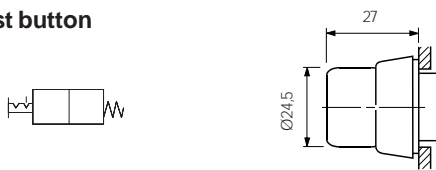
Dimensions (mm)



Mounting

Assembly is simple; the actuators fit into the holder/panel mounting clamp with bayonet fixing. The panel mounting screws may then be tightened up to the panel as required and the valve body assembly clipped on. No seals or special tools are required, interchanging actuators or valve body assemblies is equally simple.

Latching trust button



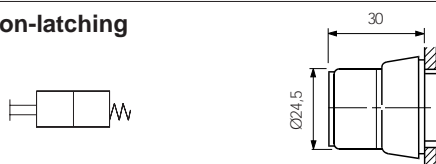
Colour	Order code
White	33000-100UFWs
Blue	33000-100UFxs

Key switch latching



Locked position	Withdrawal position	Order code
In or out	Either	33000-100KAS
In	Un-locked	33000-100KBS
Out	Locked	33000-100KCS

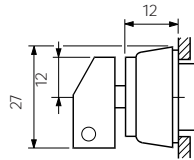
Key switch non-latching



Locked position	Withdrawal position	Order code
Out	Un-locked	33000-100KDS
In	Locked	33000-100KES

Directional control valves G¹/₈ 3/2 - 5/2

Key switch 'stay-put'



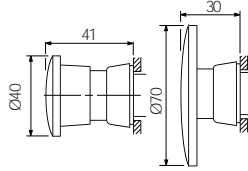
Withdrawal position

Order code

Either

33000-100KFS

Emergency button



Colour Order code

Type

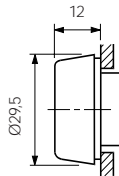
Red **33000-100BEYS** Ø40 Mushroom, key release

Red **33000-100BGYS** Ø40 Mushroom latching

Red **33000-100BPYS** Raised latching button

Red **33000-100BRYS** Ø70 Mushroom latching

Flush push button



Colour

Order code

Yellow **33000-100BATS**

Blue **33000-100BAUS**

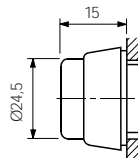
White **33000-100BAWS**

Black **33000-100BAXS**

Red **33000-100BAYS**

Green **33000-100BAZS**

Raised push button



Colour

Order code

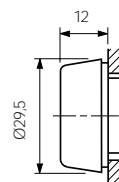
Yellow **33000-100BBTS**

Blue **33000-100BBUS**

Black **33000-100BBXS**

Red **33000-100BBYS**

Push button with boot



Colour

Order code

Yellow **33000-100BCTS**

Blue **33000-100BCUS**

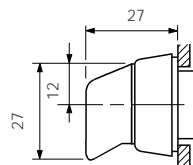
White **33000-100BCWS**

Black **33000-100BCXS**

Red **33000-100BCYS**

Green **33000-100BCZS**

Latching selector knob



Colour

Order code

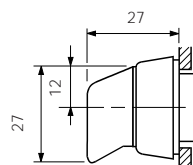
White **33000-100UAWS**

Black **33000-100UAXS**

Red **33000-100UAYS**

Green **33000-100UAZS**

Non latching selector knob



Colour

Order code

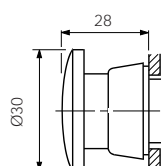
White **33000-100UBWS**

Black **33000-100UBXS**

Red **33000-100UBYS**

Green **33000-100UBZS**

Ø30mm Mushroom button



Colour

Order code

White **33000-100BDTS**

Black **33000-100BDXS**

Red **33000-100BDYS**

Green **33000-100BDZS**

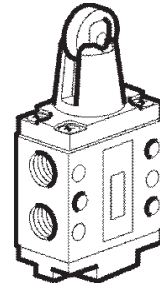
Pneumatik-Ventile

Serie B53 ; G1/4

3/2-, 5/2-, 3/3- und 5/3-Wege



- Gewindeanschluß G1/4
- Robustes Ventil für schwere Anwendungen
- Ventilkolben aus Edelstahl
- 3/2- und 5/2-Wege Ausführungen
- Viton-Dichtungen serienmäßig



Technische Daten

Werkstoff

Ventilgehäuse	Zinkdruckguß
Betätigungsarm	Zinkdruckguß
Distanzbüchsen	Messing
Federgehäuse	Polyamid
Rollen	Kunststoff
Ventilkolben	Edelstahl
Dichtungen	Viton

Technische Informationen

Druckbereich	Vakuum - 10 bar
Temperaturbereich	-10 °C bis +80 °C
Gewindeanschluß	G1/4

Ventildurchfluß wurde nach ISO6358 ermittelt.

Durchfluß:	C = 3,69
	b = 0,33
	Qn = 17,5 l/s
	Qmax = 29 l/s
	Cv = 1,02

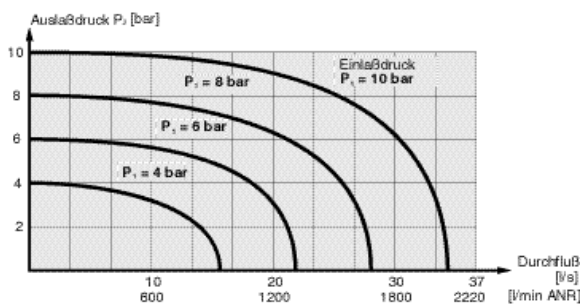
Optionen und zusätzliche Informationen

Durchfluß-Charakteristik


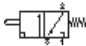
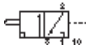

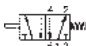



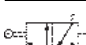

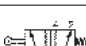
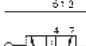
Durchflußkapazität nach ISO6358

Alle Druckangaben = effektiver Druck

Die gezeigten Kurven sind typische Kurven



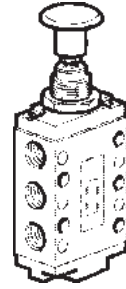
Generelle Angaben Mechanisch betätigte Ventile, Baureihe B53

	Symbol	Typ	Betätigung	Rückstellung	Betätigungs-kraft bei 6 bar (N)	Gewicht (kg)	Bestell-Nr.
		3/2	Stößel	Feder	53	0,348	B53003CS
		3/2	Stößel	pneumatisch	27	0,388	B53003CP
		5/2	Stößel	Feder	53	0,478	B53004CS
		5/2	Stößel	pneumatisch	27	0,518	B53004CP
		3/2	Rollenstößel mit Kunststoffrolle	Feder	53	0,350	B53003RS
		3/2	Rollenstößel mit Kunststoffrolle	pneumatisch	27	0,390	B53003RP
		5/2	Rollenstößel mit Kunststoffrolle	Feder	53	0,480	B53004RS
		5/2	Rollenstößel mit Kunststoffrolle	pneumatisch	27	0,520	B53004RP



Alle 3/2-Wegeventile der Baureihe B53 können wahlweise als normal geschlossen (NG) oder als normal geöffnet (NO) eingesetzt werden. Man muß nur die Primärluftversorgung von Anschluß 1 an Anschluß 3 legen.

- G1/4-Direktanschlüsse
- Robustes Zinkdruckguß-Gehäuse
- Edelstahl-Schieber
- Viton-Dichtungen serienmäßig
- Integrierte Montagebohrungen
- 3/2-, 5/2- und 5/3-Wege-Ausführungen



Technische Daten

Werkstoff

Ventilkörper	Zinkdruckguß
Betätigungsvorrichtung	Zinkdruckguß
Distanzringe	Messing
Federgehäuse	Nylon
Knopf	Kunststoff
Schieber	Edelstahl
Dichtungen	Viton

Technische Information

Betriebsdruck	Vakuum -10 bar	Durchflussskapazität nach ISO6358
Temperaturbereich	-10 °C bis +80 °C	Durchfluß
Anschluß	G1/4	C = 3,69
		b = 0,33
		Qn = 17,5 l/s
		Qmax = 29 l/s
		Cv = 1,02

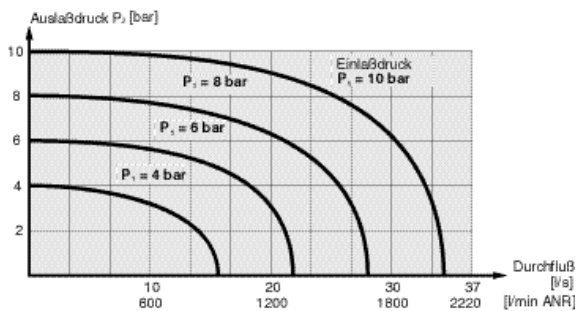
Optionen und zusätzliche Informationen

Durchfluß-Charakteristik


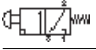
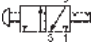






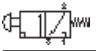
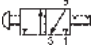
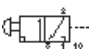






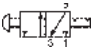
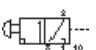




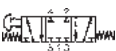


Durchflussskapazität nach ISO6358

Alle Druckangaben = effektiver Druck

Die gezeigten Kurven sind typische Kurven



Generelle Angaben handbetätigte Ventile, Baureihe B53

	Symbol	Typ	Betätigung	Rückstellung	Betätig.-kraft bei 6 bar (N)	Gewicht (kg)	Bestell-Nr.
		3/2	Knopf, schwarz	Feder	53	0,368	B53003HXS
		3/2	Knopf, schwarz	Knopf	27	0,368	B53003HX
		3/2	Knopf, schwarz	Pneumat.	27	0,380	B53003HXP
		5/2	Knopf, schwarz	Feder	53	0,498	B53004HXS
		5/2	Knopf, schwarz	Knopf	27	0,498	B53004HX
		5/2	Knopf, schwarz	Pneumat.	27	0,510	B53004HXP
		3/2	Knopf, rot	Feder	53	0,368	B53003HYS
		3/2	Knopf, rot	Knopf	27	0,368	B53003HY
		3/2	Knopf, rot	Pneumat.	27	0,380	B53003HYP
		5/2	Knopf, rot	Feder	53	0,498	B53004HYS
		5/2	Knopf, rot	Knopf	27	0,498	B53004HY
		5/2	Knopf, rot	Pneumat.	27	0,510	B53004HYP
		3/2	Knopf, grün	Feder	53	0,368	B53003HXS
		3/2	Knopf, grün	Knopf	27	0,368	B53003HX
		3/2	Knopf, grün	Pneumat.	27	0,380	B53003HXP
		5/2	Knopf, grün	Feder	53	0,498	B53004HXS
		5/2	Knopf, grün	Knopf	27	0,498	B53004HX
		5/2	Knopf, grün	Pneumat.	27	0,510	B53004HXP
		5/3	Knopf federzentrierte, geschl. Mittelstellung	-	53	0,623	B53004HXX
		5/3	Knopf federzentrierte, entlüft. Mittelstellung	-	53	0,623	B53004HXY
		5/3	Knopf federzentrierte, belüft. Mittelstellung	-	53	0,623	B53004HXZ

Hinweis: Die Standardfarbe der Knöpfe ist schwarz (X).

Für andere Farben bitte Position 8 der Bestell-Nr. ändern, z.B. B53004HXS = Grün, B53004HYS = Rot.

X = Schwarz

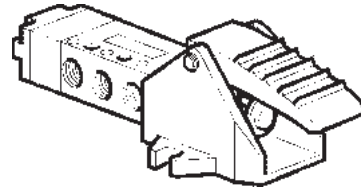
Z = Grün

Y = Rot



Alle B53-Ventile können als 3/2-Wegeventil (NG) oder 3/2-Wegeventil (NO) angeschlossen werden, indem die Zuluft an Anschluß 1 bzw. 3 angeschlossen wird.

- G1/4-Direktanschlüsse
- Robustes Zinkdruckguß-Gehäuse
- Fußpedale für schwere Anwendungen
- Einfach- und Doppelpedal
- 3/2-, 3/3-, 5/2-, und 5/3-Wege-Ausführungen
- Pedalgehäuse als Option



Technische Daten

Werkstoff

Ventilkörper	Zinkdruckguß
Distanzringe	Messing
Schieber	Edelstahl
Dichtungen	Viton
Federgehäuse	Nylon
Pedalgehäuse	Gußeisen
Fußpedal	Aluminium

Technische Information

Druckbereich	0 - 10 bar	Durchfluß; (nach ISO 6358)	C = 3,69 b = 0,33 Qn = 17,5 l/s Qmax = 29 l/s Cv = 1,02
Temperaturbereich	-10 °C bis +80 °C		

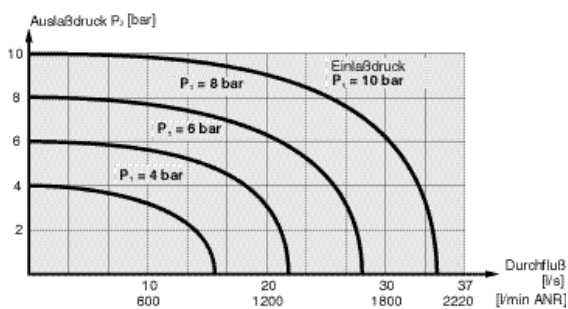
Optionen und zusätzliche Informationen

Durchfluß-Charakteristik

Durchflußkapazität nach ISO6358












Alle Druckangaben = effektiver Druck

Die gezeigten Kurven sind typische Kurven



Generelle Angaben fußbetätigte Ventile, Baureihe B53

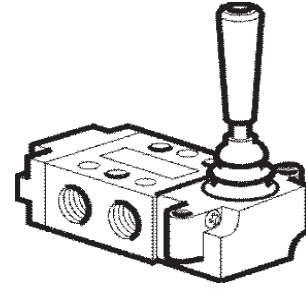
mit G1/4 Anschluß

Symbol	Typ	Betätigung	Rück- stellung	Betätig- kraft bei 6 bar (N)	Gewicht (kg)	Bestell-Nr.
Einfachpedal-betätigt						
	3/2	Fußpedal	Feder	95	1,34	B53003FS
	5/2	Fußpedal	Feder	95	1,48	B53004FS
	3/2	Fußpedal	Pneumat.	67	1,54	B53003FP
	5/2	Fußpedal	Pneumat.	67	1,68	B53004FP
Doppelpedal-betätigt						
	3/2	Fußpedal	Fußpedal	18	1,38	B53003G
	5/2	Fußpedal	Fußpedal	18	1,58	B53004G
	3/3	Fußpedal federzentrierte, geschl. Mittelstellung	-	18	1,68	B53003G
	5/3	Fußpedal federzentrierte, geschl. Mittelstellung	-	18	1,68	B53004GX
	5/3	Fußpedal federzentrierte, entlüft. Mittelstellung	-	18	1,68	B53004GY
	5/3	Fußpedal federzentrierte, belüft. Mittelstellung	-	18	1,68	B53004GZ
Zubehör						
		Pedalschutzhaube (Für B53003FS und B53004FS)			1,16	3117



Alle B53-Ventile können als 3/2-Wegeventil (NG) oder 3/2-Wegeventil (NO) angeschlossen werden, indem die Zuluft an Anschluß 1 bzw. 3 angeschlossen wird.

- G1/4-Direktanschlüsse
- Robustes Zinkguß-Gehäuse
- Integrierte Montagebohrungen
- Viton-Dichtungen serienmäßig
- Schalttafeleinbau als Option



Technische Daten

Werkstoff

Ventilkörper	Zinkdruckguß
Betätigungsvorrichtung	Zinkdruckguß
Schieber	Edelstahl
Distanzringe	Messing
Dichtungen, Ventilkörper	Viton
Federgehäuse	Nylon
Hebelgriff	Kunststoff

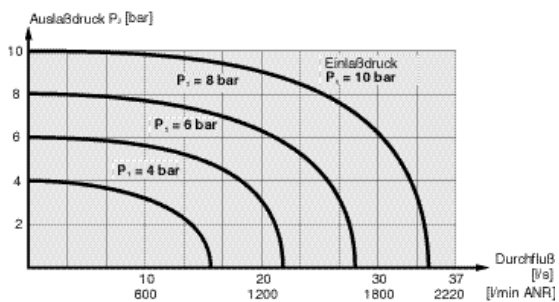
Technische Information

Druckbereich	0 - 10 bar	Durchfluß; (nach ISO 6358)	C = 3,69 NI/s x bar b = 0,33 Qn = 17,5 l/s Qmax = 29 l/s Cv = 1,02
Temperaturbereich	-10 °C bis +80 °C		

Optionen und zusätzliche Informationen

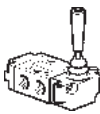
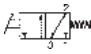
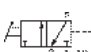

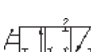
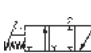
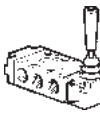

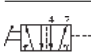

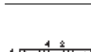
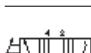
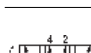
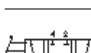
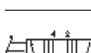
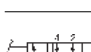
Durchfluß-Charakteristik

Durchflußkapazität nach ISO6358
Alle Druckangaben = effektiver Druck

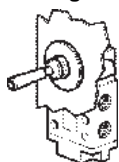


Generelle Angaben handbetätigte Ventile , Baureihe B53

mit G1/4 Anschluß

	Symbol	Typ	Betätigung	Rück- stellung	Betätigungskraft bei 6 bar (N)	Gewicht (kg)	Bestell-Nr.
		3/2	Hebel	Feder	14	0,504	B53003LS
		3/2	Hebel	Pneumat.	9	0,520	B53003LP
		3/2	Hebel	Hebel	9	0,500	B53003LT
		3/3	Hebel 3 Stellungen rastend Geschl. Mittelstellung	Hebel	9	0,504	B53003L
		3/3	Hebel federzentrierte, geschl. Mittelstellung	Hebel	14	0,780	B53003LX
		5/2	Hebel	Feder	14	0,506	B53004LS
		5/2	Hebel	Pneumat.	14	0,526	B53004LP
		5/2	Hebel	Hebel	14	0,632	B53004LT
		5/3	Hebel 3 Stellungen rastend Geschl. Mittelstellung	Hebel	9	0,640	B53004L
		5/3	Hebel 3 Stellungen rastend Entlüft. Mittelstellung	Hebel	9	0,640	B53004LW
		5/3	Hebel 3 Stellungen rastend Belüft. Mittelstellung	Hebel	9	0,640	B53004LN
		5/3	Hebel federzentrierte, geschl. Mittelstellung	-	14	0,780	B53004LX
		5/3	Hebel federzentrierte, entlüft. Mittelstellung	-	14	0,780	B53004LY
		5/3	Hebel federzentrierte, belüft. Mittelstellung	-	14	0,780	B53004LZ

Montagesatz



Montagesatz für Schalttafeleinbau

0,040 **M53004L-10A**

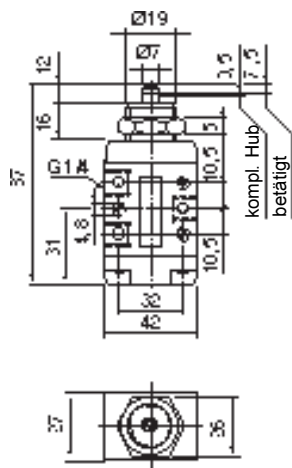
Abmessungen, Mechanisch betätigte Ventile

Mechanisch betätigte Ventile, Baureihe B53

3/2-Wege Ventile

B53003C

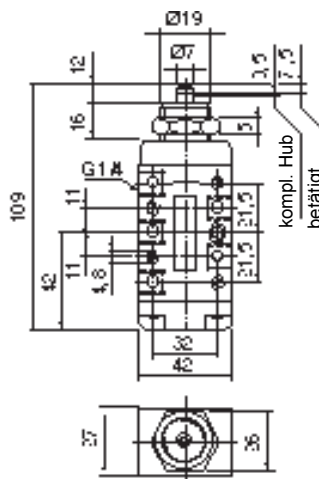
Stößelbetätigung mit Federrückstellung



5/2-Wege Ventile

B53004C

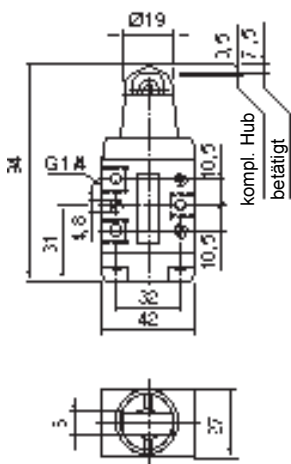
Stößelbetätigung mit Federrückstellung



3/2-Wege Ventile

B53003R

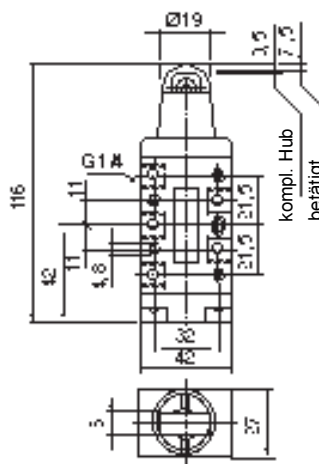
Rollenstößelbetätigung mit Federrückstellung



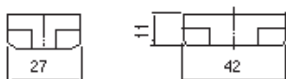
5/2-Wege Ventile

B53004R

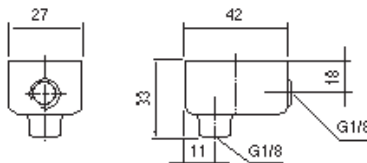
Rollenstößelbetätigung mit Federrückstellung



std. Federrückstellung



Luftfederrückstellung



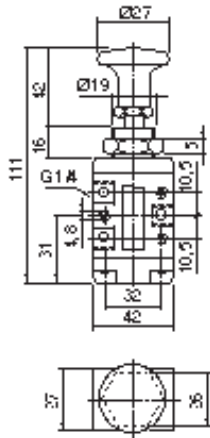
Abmessungen, G1/4-Schieberventile

Handbetätigte Ventile

3/2-Wegeventile

B53003H

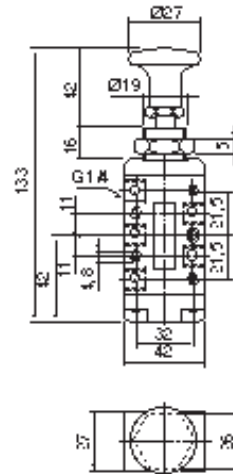
Knopfbetätigt, Feder-
oder Knopfrückstellung



5/2-Wegeventile

B53004H

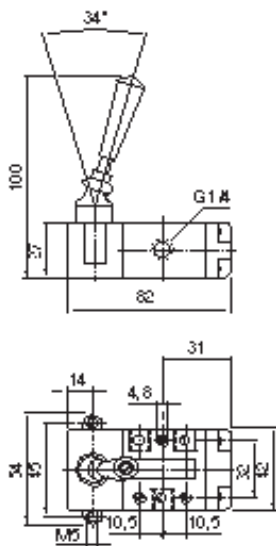
Knopfbetätigt, Feder-
oder Knopfrückstellung



3/2-Wegeventile

B53003L

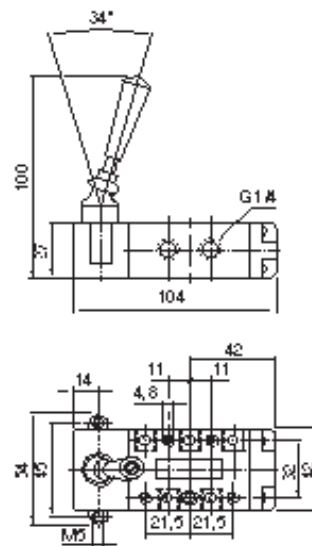
Handhebelbetätigt



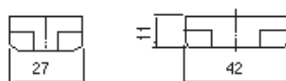
5/2-Wegeventile

B53004L

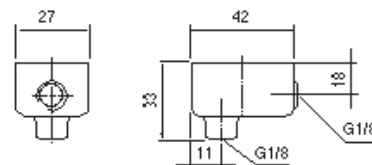
Handhebelbetätigt



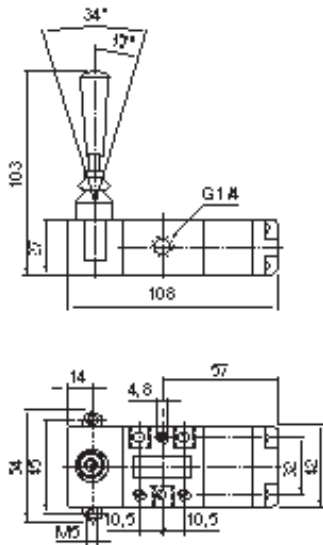
Standard Rückstellfeder



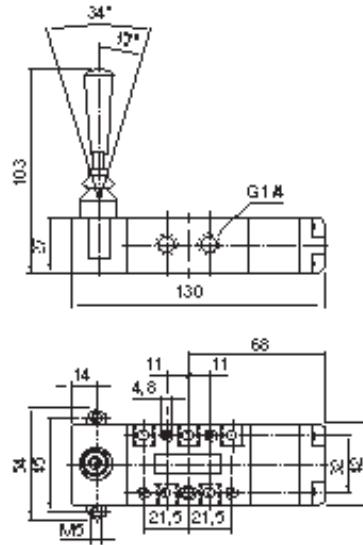
Pneumat. Rückstellung



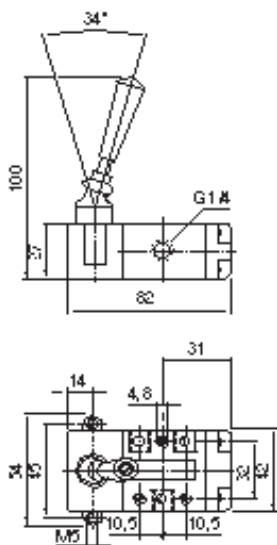
3/3-Wegeventile (federzentrierte Mittelstellung)
B53003LX
 Handhebelbetätigt



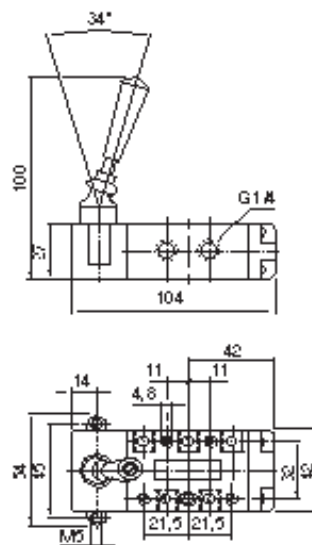
5/3-Wegeventile (federzentrierte Mittelstellung)
B53004L
 Handhebelbetätigt



3/3 Ventile (3 Stellungen)
B53003L
 Handhebelbetätigt

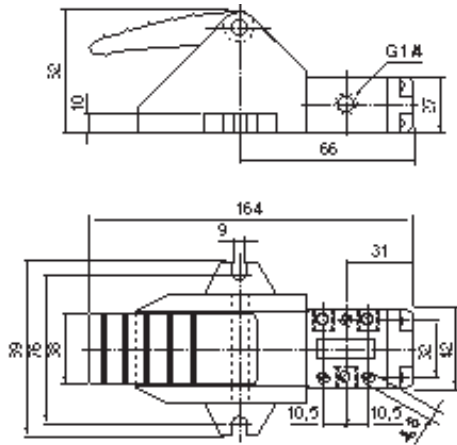


5/3-Wegeventile (3 Stellungen)
B53004L
 Handhebelbetätigt

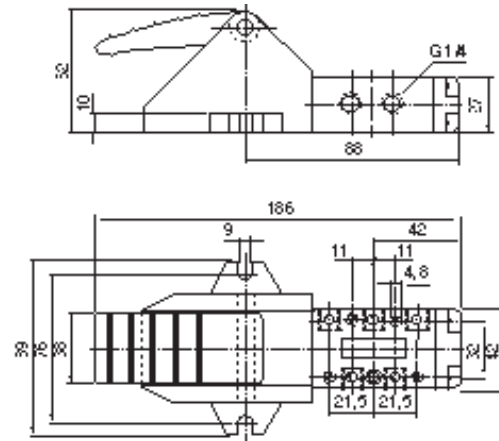


Abmessungen, G1/4-Schieberventile

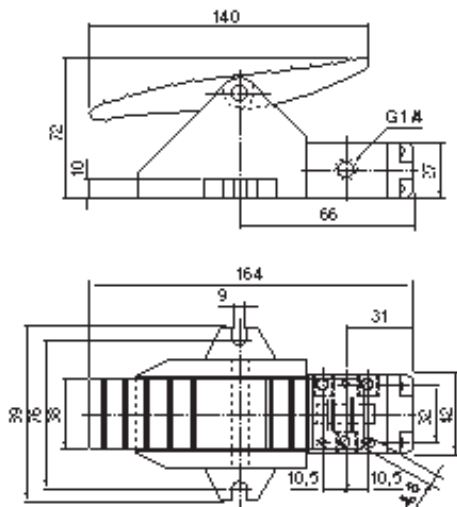
Handbetätigte Ventile
3/2-Wegeventile
B53003F
 fußbetätigt - Rückstellfeder



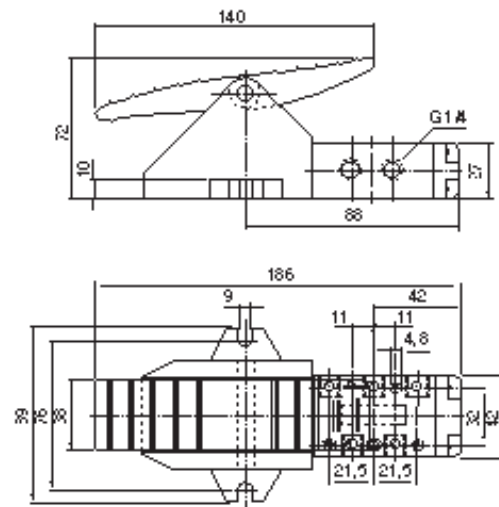
5/2-Wegeventile
B53004F
 fußbetätigt - Rückstellfeder



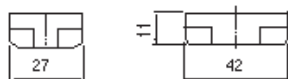
3/2-Wegeventile
B53003G
 fußbetätigt (Doppelpedal)



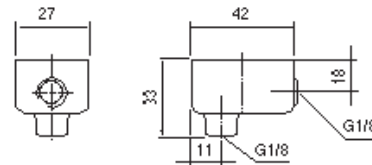
5/2-Wegeventile
B53004G
 fußbetätigt (Doppelpedal)



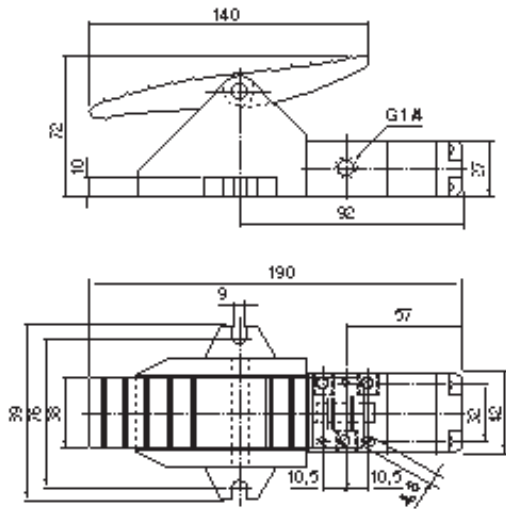
Standard Rückstellfeder



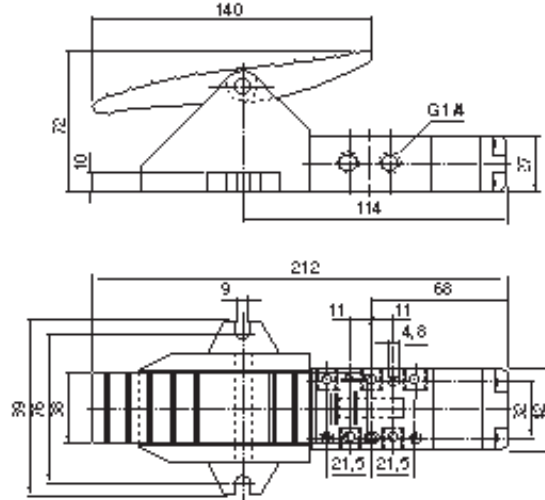
Pneumat. Rückstellung



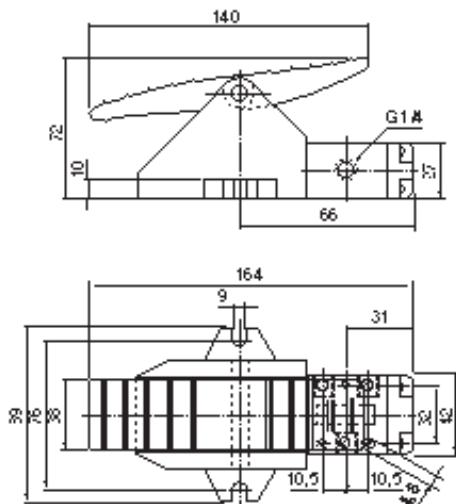
3/3-Wegeventile (federzentrierte)
B53003GX
 fußbetätigt (Doppelpedal)



5/3-Wegeventile (federzentrierte)
B53004G
 fußbetätigt (Doppelpedal)



3/3-Wegeventile (3 Stellungen)
B53003G
 fußbetätigt



Pedalschutzhaube
3117

