

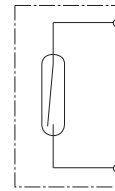
Sensors

Specifications

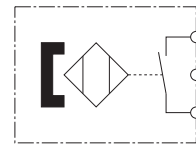
Features	
Type	REED HALL EFFECT NPN or PNP
Applicable Series Configurations	All Cylinders Individual Mounts for Different Cylinder Types
Construction Materials	
Body	Macrolon, Glass Fiber
Mounting Bracket	Aluminum, Anodized
Cable	PVC (Optional: PUR- Polyurethane)
Characteristics	
Operating Temperature	-13° F (-25°C) to 167° F (+75°C)
Accuracy	±0.0039"(0.1mm)
Voltage	Cable Type: 10 - 230 vAC/DC Reed 10 - 30 DC Hall
	Plug Type: 10 - 70 vAC/DC Reed 10 - 30 DC Hall
Switch Current	DZ, SZ 0.5A 0.2A R, ROV, RDV 1.5A 0.2A
	DZ, SZ 20W, 30VA max. R, ROV, RDV 10W, 10VA max.
Switching Procedures	2200/min 200/sec
Electrical Protection	IP67 according to DIN 40050
Insulation	F according to VDE 0580
Connection	Cable (PVC) or Plug-in
Cycle Rate	(40 hZ)
Installation	In any Position
Weight	See Dimensions

Sensors All Cylinders Ø8mm - 125mm

Reed Type



Hall Effect Type



Features:

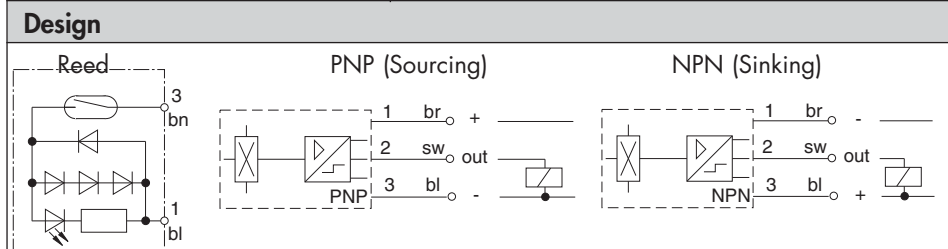
Cable or Plug-In Types

Reed Type

- LED
- Surge Supression
- DC-Reverse Polarity Protection

Hall Effect Type

- LED
- Surge Supression
- Reverse Polarity Protection



Switching Characteristics	"S" value					
	Bore	SZ		DZ/B/Q/V		ROV
	Reed	H.E	Reed	H.E	Reed	H.E
8-12	10	9	--	--	22	10
16	16	11	--	--	15	12
20	8	9	--	--	17	13
25	17	12	--	--	18	25
32	14	9	11	10	16	13
40	12	9	11	10	15	11
50	17	12	13	11	16	11
63	20	15	13	11	17	12
80	17	11	15	12	--	--
100	17	12	15	13	--	--
125	--	--	--	--	--	--

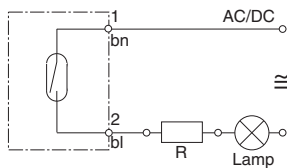
Sensors

Sensor Details

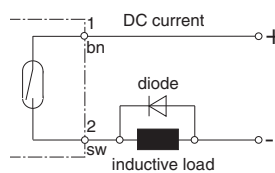
Description	Reed	Hall Effect PNP	Hall Effect NPN			
Series: AZ, AZV, SZ, NZK						
Cable Type: 8ft (2.5m)	KL 3043	KL 3055	KL 3059			
Plug-In Type:	KL 3046	KL 3054	KL 3060			
Series: R, ROV, RDV, RK						
Cable Type: 8ft (2.5m)	KL 3043	KL 3055	KL 3059			
Plug-In Type:	KL 3046	KL 3054	KL 3060			
Mounting Brackets						
Bore: 10	PD 45854	PD 45854	PD 45854			
Bore: 12	PD 45855	PD 45855	PD 45855			
Bore: 16	PD 45856	PD 45856	PD 45856			
Bore: 20	PD 45857	PD 45857	PD 45857			
Bore: 25	PD 45858	PD 45858	PD 45858			
Bore: 32	PD 45705	PD 45705	PD 45705			
Bore: 40	PD 45859	PD 45859	PD 45859			
Bore: 50	PD 45860	PD 45860	PD 45860			
Bore: 63	PD 45861	PD 45861	PD 45861			
Cable Set for Plug-In Sensors						
	Push Type	Twist Type	Push Type	Twist Type	Push Type	Twist Type
Length: 8 ft (2.5m)	KY 3240	KC 3102	KY 3240	KC 3102	KY 3240	KC 3102
Length: 16 ft (5m)	KY 3241	KC 3104	KY 3241	KC 3104	KY 3241	KC3104
Series: AZZ, DZB, DZBA, DZ						
8ft (2.5m)	KY 3235	KL 3237	KL 3238	KC 3048	KC 3049	
	KY 3236					
Mounting Brackets						
Bore: 32, 40, 50, 63	KY 3217	KY 3217	KY 3217	KY 3217	KY 3217	
Bore: 80, 100, 125	KY 3218	KY 3218	KY 3218	KY 3218	KY 3218	
Bore: 160, 200	KY 3219	KY 3219	KY 3219	KY 3219	KY 3219	
Bore: 250	KC 3146	KC 3146	KC 3146	KC 3146	KC 3146	

Reed Sensor Wiring Examples:

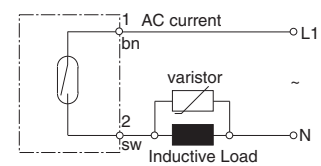
Using a Resistor in Series



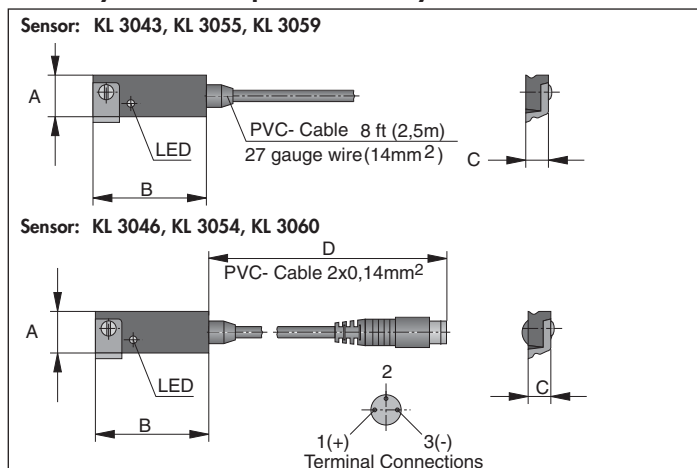
Using a DIODE



Using a VARISTOR



For all cylinders except DZB & DZ cylinders



Wiring Connections for all sensors

	1 (+)	2	3 (-)
Reed	Brown (br)		White
PNP	Brown (br)	Black (sw)	Blue (bl)
NPN	Brown (br)	Black (sw)	Blue (bl)

Dimensions	INCH/mm			
	A	B	C	D
Sensors- All	0.43/11	1.18/30	0.24/6	3.94/100
Weights	ozs./kg			Sensor w/bracket
Cable Type				1.59/0.045
Plug-in Type				0.35/ 0.010

Sensors

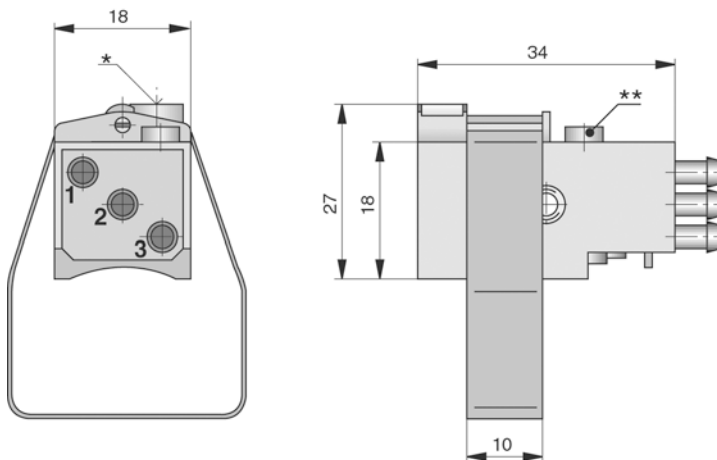
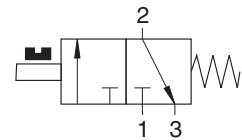
Air Piloted Switch

Features	
Type	3/2 Valve- NC, 2 Position/Spring Return 3 way
Applicable Series	AZ, AZV
Construction Materials	
Body	Macrolon, Glass Fiber
Mounting Bracket	Aluminum, Anodized
Connection	3- 3mm O.D. Barbs
Characteristics	
Operating Temperature	14° F (-10°C) to 140°F (+60°C)
Operating Pressure	30 PSI (2 bar) to 90 PSI (6 bar)
Normal Operating Pressure	90 PSI (6 bar)
Flow	Cv 0.04 (40 l/min)
Cycle Rate	40 Hz
Switching Accuracy	± 0.008" (0.2 mm) w/o Air
Filtration	40 Micron
Media	Filtered and Regulated Compressed Air
Installation	In any Position
Weight	Sensor 0.49 ozs (0.014 kg) Sensor & Bracket 0.99 ozs (0.028 kg)
Part Number	
Sensor – Air Type	KZ 2364
Mounting Bracket	KC 8255

Sensors

Ø32mm - 100mm

3-Way Normally Closed Valve



Sensors

Welding Proof Switch

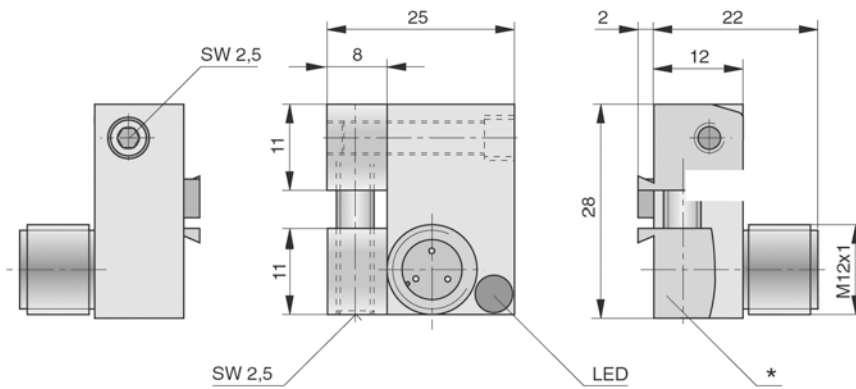
Features	
Type	Hall Effect; NPN or PNP
Applicable Series	AZ, SZ
Construction Materials	
Body	PA12-GF30 Metal Housing
Mounting Bracket	Aluminum, Anodized
Connection	3-Pole Connector M12x1
Characteristics	
Operating Temperature	-13° F (-25°C) to 158°F (70°C)
Service Life	10x10 ⁶ Switching Cycles
Hysteresis	≤1.0mm
Repeatability	≤0.1mm
Voltage	10-30 vDC
Current Drop	1.8 vDC Max.
Current Consumption	2.0 mA Max.
Switching Current	.2A Max.
Switching Frequency	40 Hz
Electrical Protection	IP 67
Operation Indicator	LED
Part Number	
Sensor – PNP Type	KC 3372
Sensor – NPN Type	KC 3375
Mounting Bracket	KC 8293

Sensors

Ø32 - 100mm

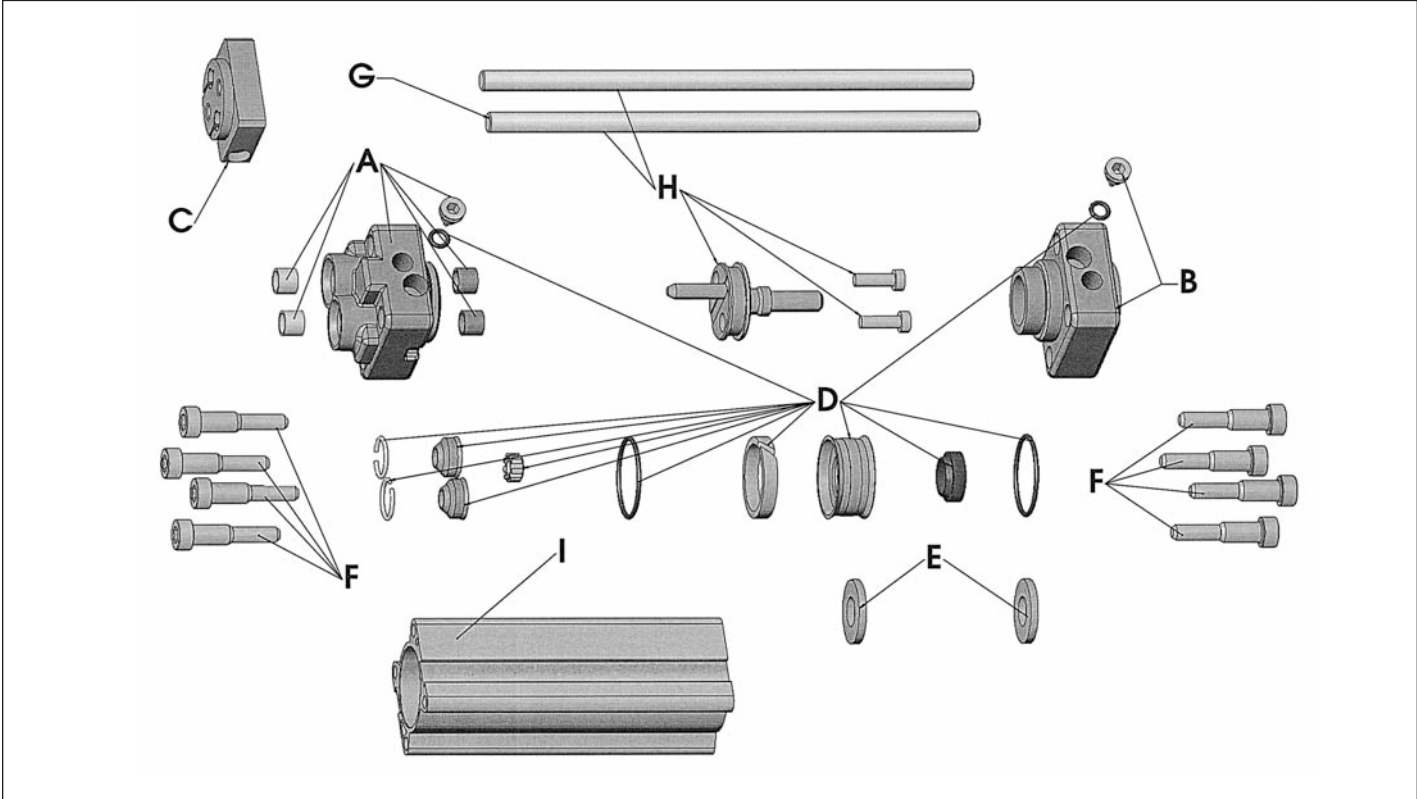
Version

- PNP or NPN
- LED Light
- Short Circuit Protection
- Pole Reversal Protection



Spare Parts

AZV Replacement Parts



Spare Parts

AZV Twin Rod Cylinder

		Bore Ø						
		25mm	32mm	40mm	50mm	63mm	80mm	100mm
A. Front Head Twin Rod- AZV	INCH Metric		PD 28543 PD 27147	PD 28544 PD 27148	PD 28545 PD 27149	PD 28546 PD 27150	PD 28547 PD 27151	PD 28548 PD 27152
Front Head Sgl Rod- AZV 3D	INCH Metric		PD 26432 PD 21230	PD 26433 PD 21231	PD 26434 PD 21232	PD 26435 PD 21233	PD 26436 PD 23041	PD 26437 PD 21235
B. Rear Head Twin Rod- AZV	INCH Metric		PD 24505 PD 21236	PD 24511 PD 21237	PD 24517 PD 21238	PD 24523 PD 21239	PD 24529 PD 23047	PD 24535 PD 21241
C. Tooling Plate Assembly	INCH Metric		PD 24506 PD 23981	PD 24512 PD 23982	PD 24518 PD 23983	PD 24524 PD 23984	PD 24530 PD 23985	PD 24536 PD 23986
D. Seal Kits* AZV Std cylinder	NBR VITON	PD 29168	PD 23003 PD 25555	PD 23004 PD 25556	PD 23005 PD 25557	PD 23006 PD 25558	PD 23007 PD 25031	PD 23008 PD 25030
Seal Kits AZV 3D	NBR VITON		PD 24464	PD 24465 Contact factory	PD 24147 for details	PD 24466	PD 24467	PD 24468
Seal Kits AZV 4D	NBR VITON		PD 24475	PD 24476 Contact factory	PD 24477 for details	PD 24478	PD 24479	PD 24480
E. Magnet Ring			PD22466	PD 22465	PD22188	PD22298	PD22543	PD22544
F. End Cap Screws	INCH MM		2014-0352 2014-0301	2014-0352 2014-0301	2014-0552 2014-0501	2014-0552 2014-0501	2014-0852 2014-0802	2014-0852 2014-0802
G. Piston Rod Each rod	(+ stroke) INCH MM		4410-0351+ 4410-0301+	4410-0451+ 4410-0401+	4410-0551+ 4410-0501+	4410-0651+ 4410-0601+	4410-0851+ 4410-0801+	4410-1051+ 4410-1001+
H. Piston/Rod Assy (Piston, magnet, Rods and complete seal kit)	(+ stroke) INCH MM		4354-0351+ 4354-0301+	4354-0451+ 4354-0401+	4354-0551+ 4354-0501+	4354-0651+ 4354-0601+	4354-0851+ 4354-0801+	4354-1051+ 4354-1001+
I. AZV-U Barrel- With 8 assy screws	(+ stroke) INCH MM		4330-0351+ 4330-0301+	4330-0451+ 4330-0401+	4330-0551+ 4330-0501+	4330-0651+ 4330-0601+	4330-0851+ 4330-0801+	4330-1051+ 4330-1001+

* NOTE: Seal Kits include all rubber seals in the cylinder. Piston, cushion, barrel, & rod seals

Spare Parts

Seal Kits

ISO CYLINDER - AZ

Seal Kits: AZ

Bore Ø	Order # NBR	Order # Viton
32mm	PD 39169	PD 39499
40mm	PD 39170	PD 39500
50mm	PD 39171	PD 39501
63mm	PD 39172	PD 39502
80mm	PD 39173	PD 39503
100mm	PD 39174	PD 39504

AZD

Order # NBR
PD 39381
PD 39382
PD 39383
PD 39384
PD 39385
PD 39386

ISO CYLINDER - DZ

Seal Kits: DZ

Bore Ø	Order # NBR	Order # Viton
125mm	PD 23011	PD 26969
160mm	PD 23013	PD 26995
200mm	PD 25006	PD 27427
250mm	PD 25872	PD 27976

COMPACT CYLINDER - SZ

Seal Kits: SZ, SZV

Bore Ø	Order # NBR
12mm	PD 35419
16mm	PD 35420
20mm	PD 35421
25mm	PD 35422
32mm	PD 44381
40mm	PD 44382
50mm	PD 44383
63mm	PD 44384
80mm	PD 44385
100mm	PD 44386

SZD

Order # NBR
—
—
—
—
PD 44489
PD 44490
PD 44491
PD 44492
PD 44493
PD 44494

COMPACT CYLINDER - NZK

Seal Kits: NZK

Bore Ø	Order # NBR	Order # Viton
32mm	PD 41478	PD 41574
40mm	PD 41479	PD 41575
50mm	PD 41480	PD 41576
63mm	PD 41481	PD 41577
80mm	PD 41482	PD 41578
100mm	PD 41483	PD 41579

NZKD

Order # NBR
PD 42095
PD 42096
PD 42097
PD 42098
PD 42099
PD 42100

BLOCKING CYLINDER - DZB

Seal Kits: DZB

Bore Ø	Order # NBR	Order # Viton
32mm	PD 30091	PD 30147
40mm	PD 30093	PD 30149
50mm	PD 30095	PD 30151
63mm	PD 27727	PD 28770
80mm	PD 26059	PD 28771
100mm	PD 26060	PD 28772
125mm	PD 26061	PD 28773

Seal Kits: DZBA

Bore Ø	Order # NBR	Order # Viton
32mm	PD 30092	PD 30147
40mm	PD 30094	PD 30149
50mm	PD 30096	PD 30151
63mm	PD 27727	PD 28770
80mm	PD 26059	PD 28771
100mm	PD 26060	PD 28772
125mm	PD 30743	PD 28745

All SEAL KITS INCLUDE:

Piston Seal, Rod Seal(s), Rod Seal Retaining Ring(s), Cushion Seals, Cushion Needle Seals, End Cap Seals.