

**Quikclamp**

Maximum Pressure:  
17 bar (250 psig)

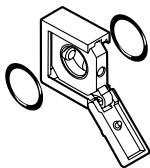
Maximum Temperature:  
65°C (150°F)

Use with all Excelon 72 Products to provide modular installation capability. Flanges on the products slide into V grooves in the Quikclamp. Two face-sealing o-rings in the Quikclamp provide a positive seal when the clamp is closed and the captive screw is tightened.

Tighten screw with a 3 mm hex wrench or a T15 Torx wrench.

Quikclamp Service Kit (contains 2 nitrile o-rings): 4384-570

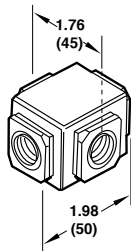
A Quikclamp adds 0.26" (6.5 mm) to the overall length of a combination unit.



Part Number: 4214-51

**Manifold Block**

Installs with Quikclamps. Ports are threaded 3/8" pipe to provide manifold capability for up to three components.

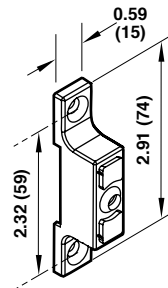


| Side Port Threads | Part Number |
|-------------------|-------------|
| 3/8" PTF          | 4228-01     |
| 3/8" ISO G        | 4228-03     |

**Quikclamp Wall Mounting Bracket**

Use with the Quikclamp to provide secure mounting to a wall, machine panel or other flat surface.

Use 3/16" (5 mm) screws to mount bracket to wall.

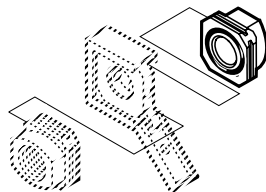


Part Number: 4213-89

**Quikmount Pipe Adapters**

Use with the Quikclamp to provide threaded connections to the system piping.

A pipe adapter adds 0.63" (16 mm) to the overall length of a combination unit.

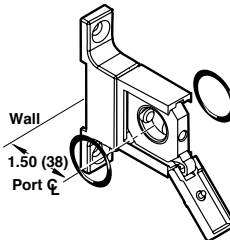


| Port Size and Thread | Part Number (Quantity of 1) |
|----------------------|-----------------------------|
| 1/4" PTF             | 4215-02                     |
| 3/8" PTF             | 4215-03                     |
| 1/4" ISO G           | 4215-08                     |
| 3/8" ISO G           | 4215-09                     |

**Quikclamp and Wall Mounting Bracket**

See Quikclamp paragraph for descriptions and dimensions.

Use 3/16" (5 mm) screws to mount bracket to wall.

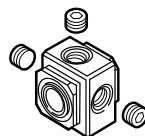


Part Number: 4214-52

**Porting Block**

Installs between two Quikclamps to provide three additional 1/4" outlets for auxiliary air.

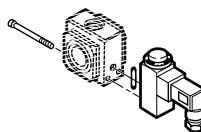
A Porting Block adds 1.13" (28.5 mm) to the overall length of a combination unit.



| Auxiliary Port Size & Thread | Part Number |
|------------------------------|-------------|
| 1/4" NPT                     | 4216-50     |
| 1/4" ISO G                   | 4216-52     |

**Replacement Pressure Switch**

Use only with pressure switch sub-base. Cannot be used with the standard porting block.



Part Number: 4246-01

**Sub-base Mounted Pressure Switch**

Monitors air pressure and provides an electrical output when the pressure drops below or exceeds an adjustable preset pressure. Installs between two Quikclamps. Also provides two additional 1/4" outlets for auxiliary air.

P<sub>1</sub>max: 250 psig (17 bar)

Temperature: 14° to 150°F (-10° to 65°C)

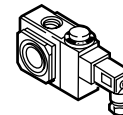
Adjustable: 30 to 150 psig (2 to 10 bar).  
Shipped from factory preset at 90 psig (6.3 bar)

Max. Voltage: 240 V a.c./d.c.

Max. Current: 5 Amp

Hysteresis at Midpoint: 12%

A Sub-base Mounted Pressure Switch adds 1.13" (29 mm) to the overall length of a combination unit.



| Auxiliary Port Threads | Part Number |
|------------------------|-------------|
| 1/4" PTF               | 4246-50     |
| 1/4" ISO G             | 4246-52     |

**Transition Connector**

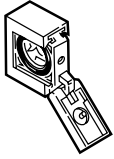
Enables connection of Excelon 72 to 74 units. Typically this will allow F74C/H high grade coalescing filters to be flow matched with R72 regulators.



Part Number: 4417-01

## Quikclamp

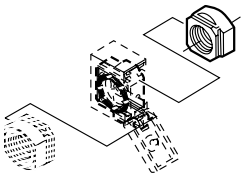
Use with all 73 and 74 Series Products to provide modular installation capability. Flanges on the products slide into V grooves in the Quikclamp. Two face-sealing o-rings in the Quikclamp provide a positive seal when the clamp is closed and the captive screw is tightened. A Quikclamp adds 0.54" (13.6 mm) to the overall length of a combination unit. Tighten screw with a 5/32" (4 mm) hex or T25 Torx wrench. (30 in. lbs. Torque)



Material: Zinc  
Quikclamp part number: 4314-51  
O-ring kit part number: 4384-770

## Quikmount Pipe Adapters

Use with the Quikclamp to provide threaded connections to the system piping. Each pipe adapter adds 0.71" (18 mm) to the overall length of a combination unit (each kit contains one adapter).

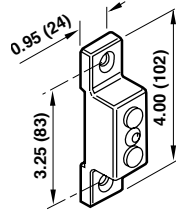


Material: Aluminum

| Part number 1) | Port size and (Qty) thread |
|----------------|----------------------------|
| 4315-01        | 1/4" PTF                   |
| 4315-02        | 3/8" PTF                   |
| 4315-03        | 1/2" PTF                   |
| 4315-04        | 3/4" PTF                   |
| 4315-09        | 1/4" ISO G                 |
| 4315-10        | 3/8" ISO G                 |
| 4315-11        | 1/2" ISO G                 |
| 4315-12        | 3/4" ISO G                 |

## Quikclamp Wall Mounting Bracket

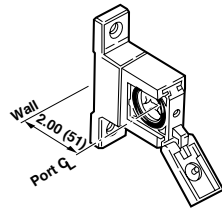
Use with the Quikclamp to provide secure mounting to a wall, machine panel or other flat surface. Use No. 12 (6 mm) screws to mount bracket to wall.



Material: Zinc  
Part number: 4313-50

## Quikclamp and Wall Mounting Bracket

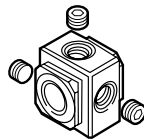
See preceding paragraphs for descriptions and dimensions.



Material: Zinc  
Part number: 4314-52  
L74 1 quart 4314-55

## Porting Block

Installs between two Quikclamps to provide three additional 1/4" outlets for auxiliary air. A Porting Block adds 1.30" (33 mm) to the overall length of a combination unit.

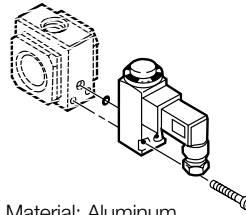


Material: Zinc

| Part number | Auxiliary port size and thread |
|-------------|--------------------------------|
| 4316-50     | 1/4" PTF                       |
| 4316-52     | 1/4" ISO G                     |

## Replacement Pressure Switch

Use only with the pressure switch subbase. Cannot be used with the standard porting block.

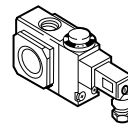


Material: Aluminum  
Pressure switch part number: 4346-01

## Subbase Mounted Pressure Switch

Monitors air pressure and provides an electrical output when the pressure drops below or exceeds an adjustable preset pressure. Installs between two Quikclamps. Also provides three additional 1/4" outlets for auxiliary air.

A Subbase Mounted Pressure Switch adds 1.30" (33 mm) to the overall length of a combination unit.

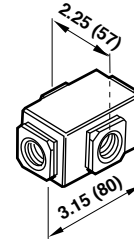


Specifications  
Maximum Pressure: 300 psig (20 bar)  
Maximum Temperature: 175°F (80°C)  
Adjustable Range: 30 to 150 psig (2 to 10 bar)  
Shipped from factory preset at 90 psig (6.2 bar).  
Maximum Voltage: 240V ac/dc  
Maximum Current: 5 Amp  
Hysteresis at Midpoint: 12%  
Materials: Zinc subbase, Aluminum switch

| Part number | Auxiliary port thread |
|-------------|-----------------------|
| 4346-50     | 1/4" PTF              |
| 4346-52     | 1/4" ISO G            |

## Manifold Block

Installs with Quikclamps. Ports are threaded 3/4" pipe to provide manifolding capability for up to three components.



Material: Zinc

| Part number | Side port threads |
|-------------|-------------------|
| 4328-50     | 3/4" PTF          |
| 4328-52     | 3/4" ISO Rc       |

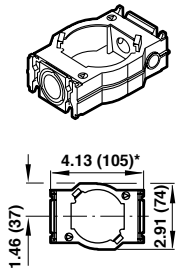
## Transition Connector

Enables connection of Excelon 72 to 74 units. A transition connector adds 0.06" (1.5mm) to the overall length of a combination unit.



Material: Aluminum  
Part Number: 4417-01

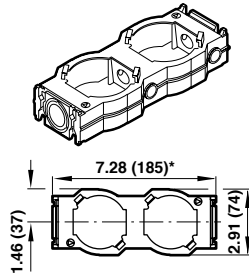
**Single Yoke**



\* 3/4 = 6.18 (157)

|     |              |
|-----|--------------|
| 1/4 | Y64A-2AA-N1N |
| 3/8 | Y64A-3AA-N1N |
| 1/2 | Y64A-4AA-N1N |
| 3/4 | Y64A-6AA-N1N |

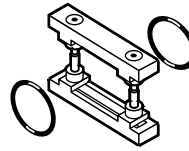
**Double Yoke**



\* 3/4 = 9.33 (237)

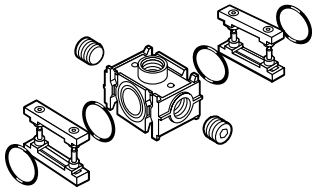
|     |              |
|-----|--------------|
| 1/4 | Y64A-2AA-N2N |
| 3/8 | Y64A-3AA-N2N |
| 1/2 | Y64A-4AA-N2N |
| 3/4 | Y64A-6AA-N2N |

**Yoke Connector**

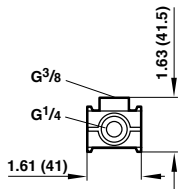


74503-51

**Porting Block**



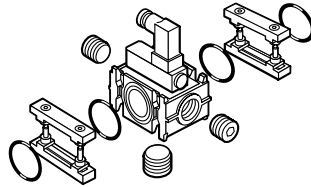
- (2) 1/4 outlets
- (1) 3/8 outlet



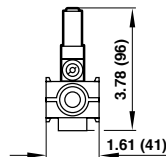
P<sub>i</sub> max. = 250 psi (17 bar)  
T max. = 175°F (80°C)

|                |
|----------------|
| 74507-52 PTF   |
| 74507-50 ISO G |

**Adjustable Pressure Switch**



- 30-150 psi (2-10 bar) adjustable
- Porting block mounted
- DIN 43650 form C connector

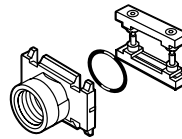


P<sub>i</sub> max. = 250 psi (17 bar)  
T max. = 175°F (80°C)  
I max. = 5 A  
V max. = 240 V  
Reset differential  
= 15 psi (1 bar) nominal

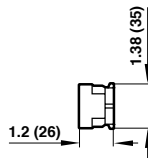


4346-99

**End Connector**



- For use with end mounted porting block
- 1/2 or 3/4 over porting



|     |                |
|-----|----------------|
| 1/2 | 74505-52 PTF   |
| 3/4 | 74505-55 PTF   |
| 1/2 | 74505-50 ISO G |
| 3/4 | 74505-53 ISO G |

## Alternative 68 Series Yoke Assembly Models

Y68 ★ - ★ ★ N - ★ ★ ★

| Shut-Off Valve and Porting Block        | Substitute |
|---|------------|
| No shut-off valve, No porting block     | A          |
| With shut-off valve, No porting block   | B          |
| With shut-off valve, With porting block | E          |
| No shut-off valve, With porting block   | F          |
| Port Size                               | Substitute |
| 3/4"                                    | 6          |
| 1"                                      | 8          |
| 1 1/4"                                  | A          |
| 1 1/2"                                  | B          |
| Threads                                 | Substitute |
| PTF                                     | A          |
| ISO Rc taper                            | B          |
| ISO G parallel                          | G          |

| Wall Mounting Bracket  | Substitute |
|--|------------|
| Without  | N          |
| With   | B          |
| Yoke   | Substitute |
| Single   | 1          |
| Double   | 2          |
| Triple   | 3          |
| Shut-Off Valve Type  | Substitute |
| 2-port/2-position, Padlocks open or closed, No exhaust, Black handle         | A          |
| 3-port/2-position, Padlocks open or closed, Unthreaded exhaust, Black handle | C          |
| 3-port/2-position, Not lockable, Threaded exhaust, Black handle              | D          |
| 3-port/2-position, Padlocks closed only, Unthreaded exhaust, Yellow handle   | E *        |
| 2-port/2-position, Not lockable, No exhaust, Black handle                    | G          |
| No shut-off valve  | N          |

\* Meets OSHA requirements.

**Yoke Connecting Kit**

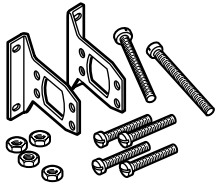


Comprising seal, screws and nuts.  
Part Number 18-026-987

**Mounting Bracket**

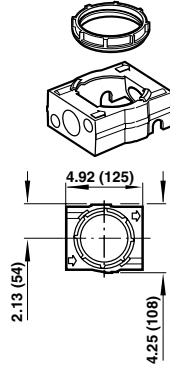
Brackets slip over end connectors and are bolted to Yoke Assembly with nuts and screws provided.  
Note: Each kit contains 6 screws (2 x 80 mm and 4 x 35 mm) and 4 nuts.

Part Number



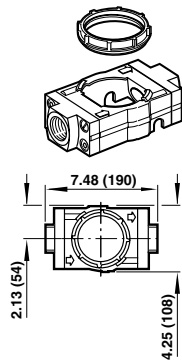
|                    |            |
|--------------------|------------|
| 1/2" ported yoke   | 18-001-979 |
| 3/4" ported yoke   | 18-001-979 |
| 1" ported yoke     | 18-001-979 |
| 1-1/4" ported yoke | 18-001-978 |
| 1-1/2" ported yoke | N/A        |

**Single Yoke**



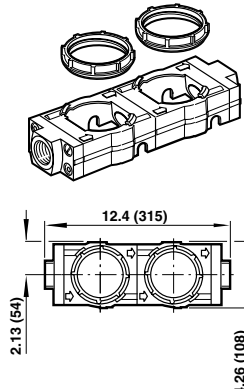
Part Number: 74785-98

**Single Yoke Assembly**



| Port Size |              |
|-----------|--------------|
| NPT 1/2   | Y68A-4AN-N1N |
| NPT 3/4   | Y68A-6AN-N1N |
| NPT 1     | Y68A-8AN-N1N |
| NPT 1-1/4 | Y68A-AAN-N1N |
| NPT 1-1/2 | Y68A-BAN-N1N |

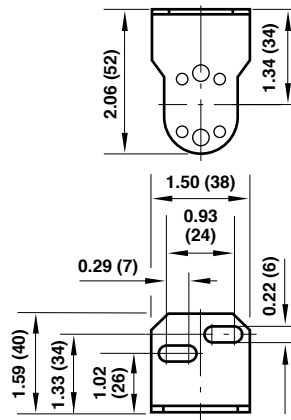
**Double Yoke Assembly**



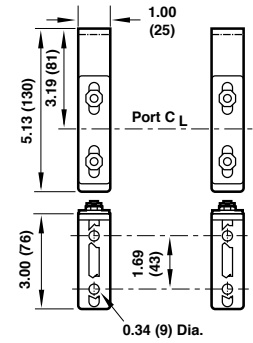
| Port Size |              |
|-----------|--------------|
| NPT 1/2   | Y68A-4AN-N2N |
| NPT 3/4   | Y68A-6AN-N2N |
| NPT 1     | Y68A-8AN-N2N |
| NPT 1-1/4 | Y68A-AAN-N2N |
| NPT 1-1/2 | Y68A-BAN-N2N |

| Product | Accessory    | Part No.   |
|---------|--------------|--|
| F07     | Wall bracket | 5939-06  |
| F17     | Wall bracket | 3/4", 1" Ports: 6212-50<br>1-1/4", 1-1/2" Ports: 6212-51 |
| F22     | Wall bracket | 18-001-962   |
| F39     | Wall bracket | 5939-06  |
| F46     | Wall bracket | 3/4", 1" Ports: 6212-50<br>1-1/4", 1-1/2" Ports: 6212-51 |
| F64     | Wall bracket | 74504-50   |

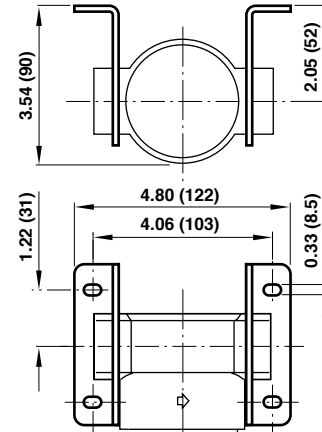
F07, F39 Bracket (5939-06)



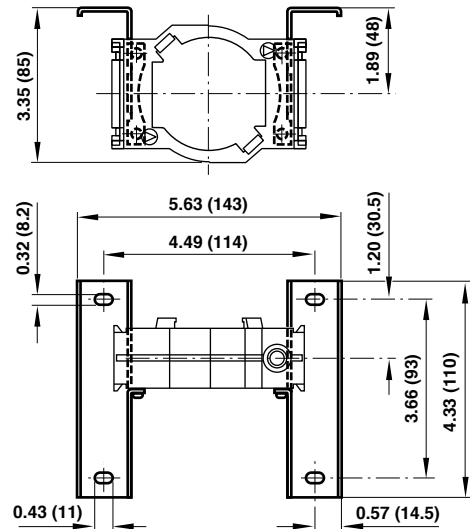
F17, F46 Bracket (6212-50, 6212-51)



F22 Bracket (18-001-962)



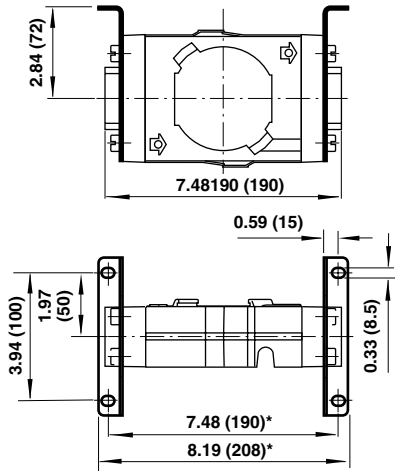
F64 Bracket (74504-50)



Dimensions in inches (mm)

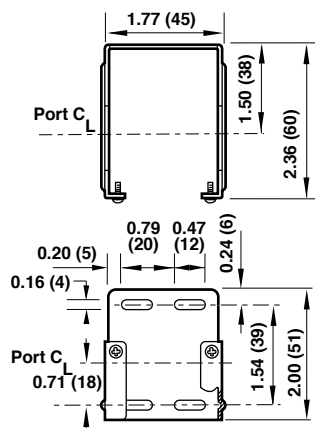
| Product | Accessory  | Part No. |
|---------|--|----------|
| F68     | Wall bracket<br>1/2", 3/4", 1", 1-1/4" Ports: 18-001-978<br>1-1/2" Ports: Not Available                      |          |
| F72     | Wall bracket   | 4224-50  |
| F73     | Wall Bracket   | 4424-50  |
|         | Electric service indicator<br>Provides electrical signal when element needs to be replaced.<br>Rated NEMA 4. | 4020-51R |
|         | Visual service indicator<br>Turns from green to red when element needs to be replaced.                       | 5797-50  |
| F74     | Wall bracket   | 4324-50  |
|         | Electric service indicator<br>Rated NEMA 4<br>Provides electrical signal when element needs to be replaced.  | 4020-51R |
|         | Visual service indicator<br>Turns from green to red when element needs to be replaced.                       | 5797-50  |

**F68 Bracket (18-001-978)**

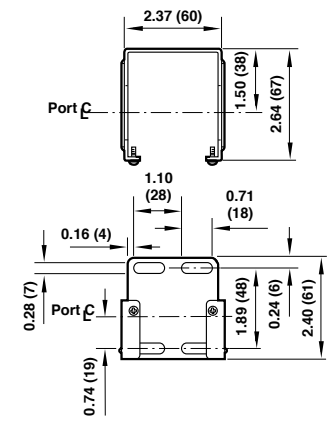


\* Add 0.39" (10) for 1-1/4" ported yokes.

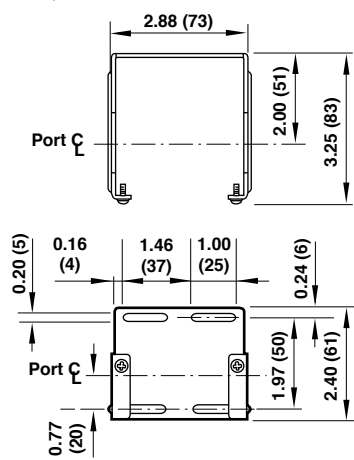
**F72 Bracket (4224-50)**



**F73 Bracket (4424-50)**

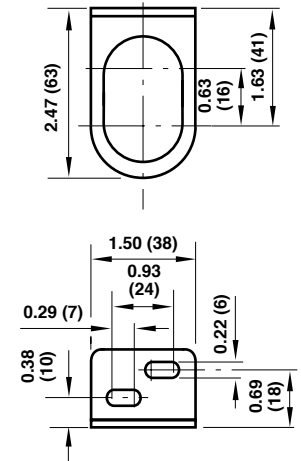
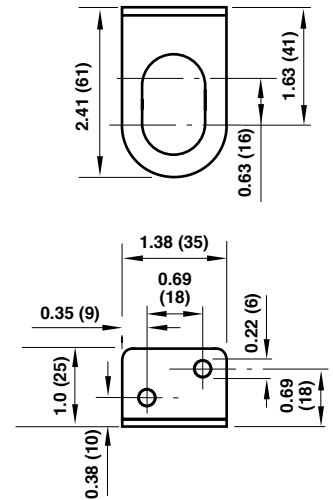
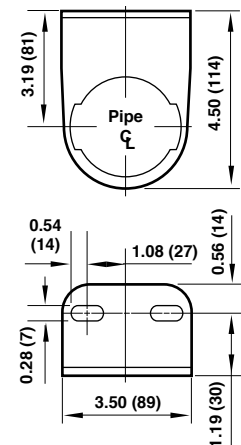


**F74 Bracket (4324-50)**



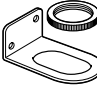



Dimensions in inches (mm)

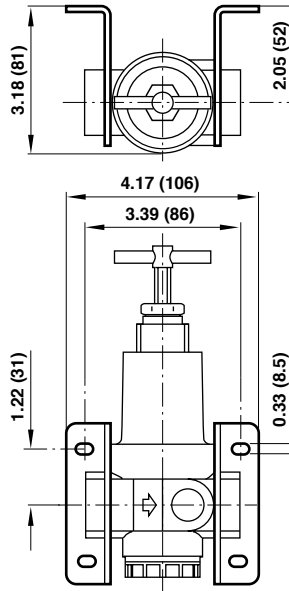
| Product | Accessory                                | Part No.  |
|---------|--|---|
| R05     | Plastic panel nut                        | 2962-89   |
| R06     | Wall bracket for R06 with plastic bonnet | Bracket and plastic nut: 18-025-003<br>Plastic nut: 2962-89<br>Metal nut: 2962-04 |
|         | Wall bracket for R06 with brass bonnet   | Bracket and metal nut: 18-001-021<br>Metal nut: 616-01                            |
|         | Tamper resistant knob kit                | 18-001-092  |
| R07     | Wall bracket with plastic nut            | Bracket and plastic nut: 18-025-003<br>Plastic nut: 2962-89<br>Metal nut: 2962-04 |
|         | Tamper resistant knob kit                | 18-001-092  |
| R17     | Wall bracket with plastic nut            | Bracket and metal nut: 5570-04<br>Metal nut: 5226-97                              |
|         | Tamper resistant seal wire               | 2117-01   |
| R18     | Muffler                                  | 3/4 PTF: MB006A<br>R 3/4: MB006B  |

**R06, R07 Bracket (18-025-003)****R06 Bracket for Brass Bonnet (18-001-021)****R17 Bracket (5570-04)**

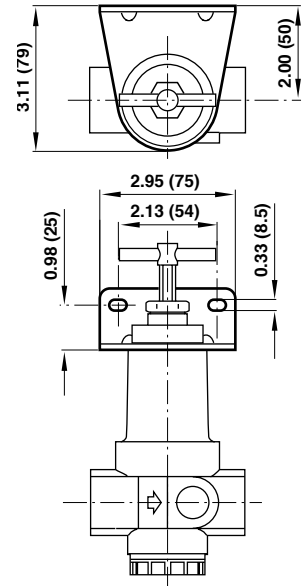
Dimensions in inches (mm)

| Product | Accessory   | Part No.  |
|---------|---|---|
| R22     | Stainless steel wall bracket  | 18-001-962  |
|         |  |   |
|         | Wall bracket (neck mount)   | Stainless steel wall bracket and metal nut: 18-001-959<br>Metal nut: 5988-02  |
|         |  |   |
| R24     | Wall bracket with metal nut   | Bracket and metal nut: 18-999-412<br>Bracket: 18-001-996<br>Plastic nut: 2962-89<br>Metal nut: 2962-04                              |
|         |  |   |
|         | Reducing bushing for gauge ports  | 3/8 to 1/4 PTF: 5950-01<br>1/2 to 1/4 PTF: 2339-04<br>R1/4 to G1/8: 150232818<br>R3/8 to G1/8: 150233818<br>R1/2 to G1/8: 150234818 |
|         |  |   |
|         | Tamper resistant cap  | 18-021-006  |

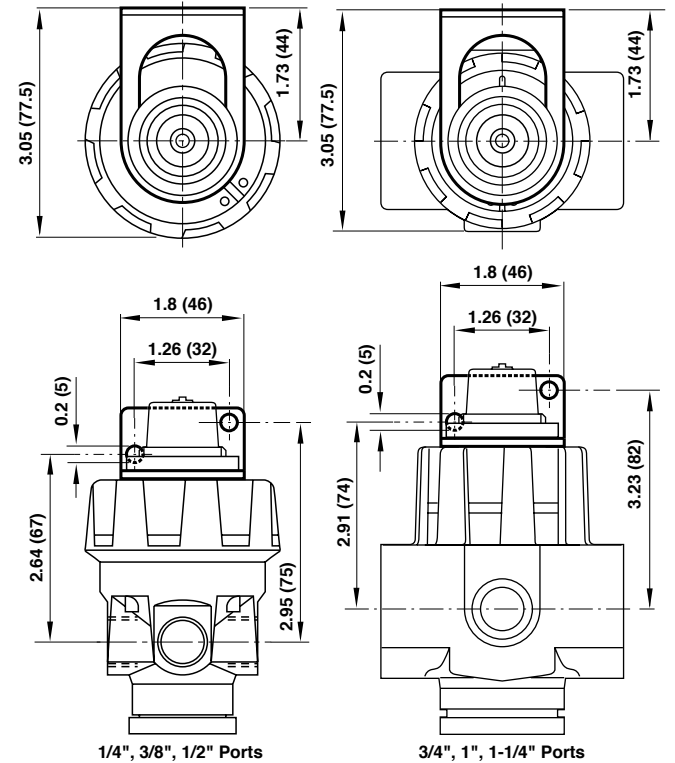
R22 Bracket (18-001-962)




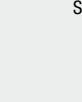



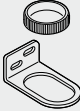


R22 Neck Bracket (18-001-959)



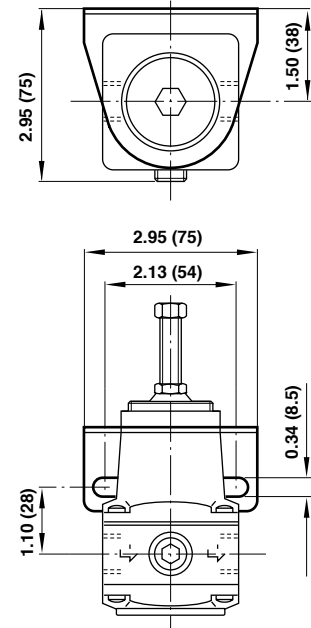
R24 Bracket (18-999-412)



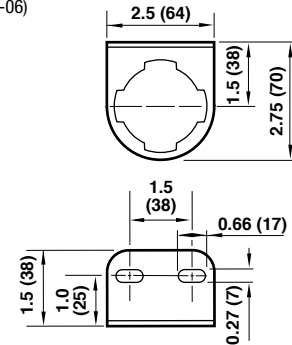
Dimensions in inches (mm)

| Product           | Accessory  | Part No.  |
|-------------------|--|---|
| R38               |  Aluminum wall bracket and nut: 18-001-974<br>Aluminum nut: 5988-01               |   |
|                   |  Stainless steel wall bracket and nut: 18-001-973<br>Stainless steel nut: 5988-02 |   |
|                   |  Plastic adjusting knob   | 74630-04  |
| R40<br>R41<br>R43 |  Wall bracket with metal nut  | Bracket and metal nut: 5203-06<br>Plastic nut: 5191-89<br>Metal nut: 5191-88      |
|                   |  Tamper resistant seal wire   | 2117-01   |
| R44               |  Wall bracket for R44 with plastic bonnet                                       | Bracket and plastic nut: 18-025-003<br>Plastic nut: 2962-89<br>Metal nut: 2962-04 |
|                   |  Wall bracket for R44 with brass bonnet   | Bracket and metal nut: 18-001-021<br>Metal nut: 616-01                            |
|                   |  Tamper resistant knob  | 18-001-092  |

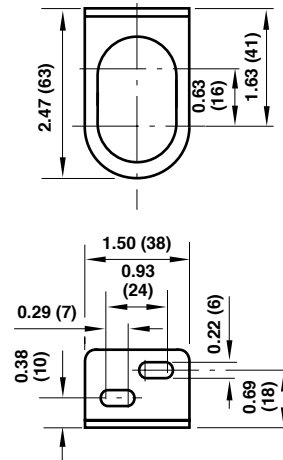
**R38 Bracket (18-001-974)**



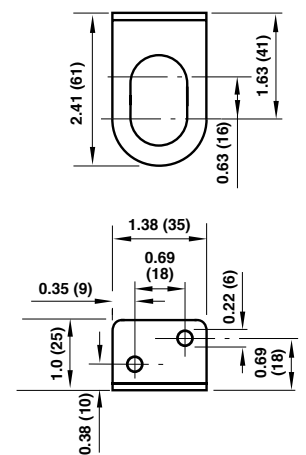
**R40, R41, R43 Bracket (5203-06)**



**R44 Bracket (18-025-003)**



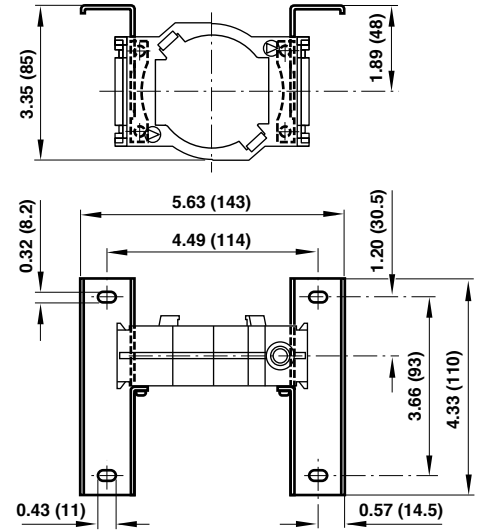
**R44 Bracket for Brass Bonnet (18-001-021)**



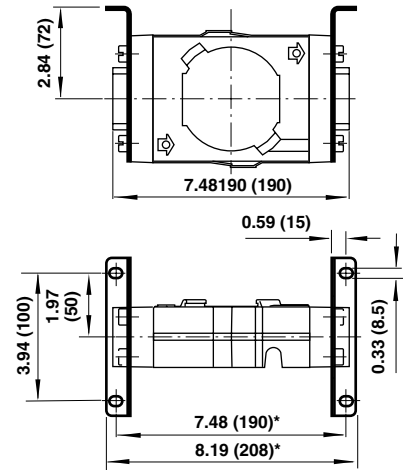
Dimensions in inches (mm)

| Product | Accessory  | Part No.  |
|---------|--|---|
| R64     | Wall bracket   | 74504-50  |
|         | Metal panel nut  | 4348-89   |
|         | Tamper resistant cover and wire. Install over knob to help prevent tampering of pressure setting. Use up to 4 padlocks with 5/16" (8mm) diameter shackle to secure cover. Lockout hasp may also be used. | Cover and wire: 4355-51<br>Wire: 2117-01  |
|         | Lockout hasp. Allows use of up to 6 padlocks with 5/16" (8mm) diameter shackle.  | 54547-01  |
| R68     | Wall bracket   | 1/2", 3/4", 1", 1-1/4" Ports: 18-001-978<br>1-1/2" Ports: Not Available         |
|         | Tamper resistant cover and wire. Install over knob to help prevent tampering of pressure setting. Use up to 4 padlocks with 5/16" (8mm) diameter shackle to secure cover. Lockout hasp may also be used. | Cover and wire: 4355-51<br>Wire: 2117-01  |
|         | Lockout hasp. Allows use of up to 6 padlocks with 5/16" (8mm) diameter shackle.  | 54547-01  |
| R72     | Wall bracket   | 4224-50   |
|         | Wall bracket/plastic nut   | Bracket and plastic nut: 74316-50<br>Plastic nut: 4248-89<br>Metal Nut: 4248-01 |
|         | Tamper resistant cover and wire. Install over knob to help prevent tampering of pressure setting. Use up to 2 padlocks with 5/16" (8mm) diameter shackle to secure cover. Lockout hasp may also be used. | Cover and wire: 4255-51<br>Wire: 2117-01  |
|         | Lockout hasp. Allows use of up to 6 padlocks with 5/16" (8mm) diameter shackle.  | 54547-01  |

R64 Bracket (74504-50)

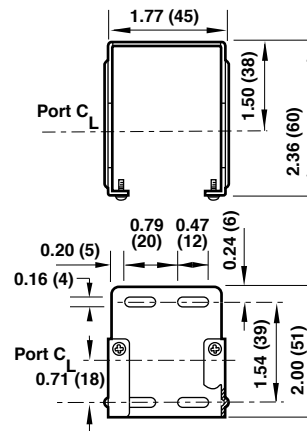


R68 Bracket (18-001-978)

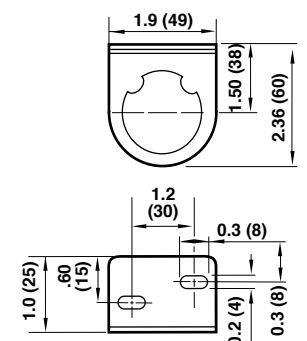


\* Add 0.39" (10) for 1-1/4" ported yokes.

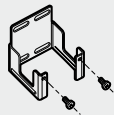
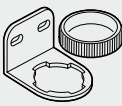
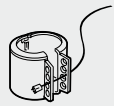

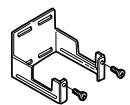
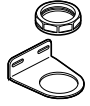
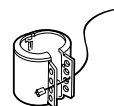

R72 Bracket (4224-50)



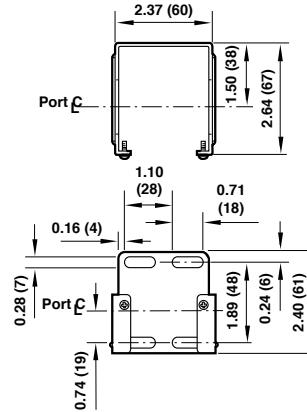
R72 Neck Bracket (74316-02)



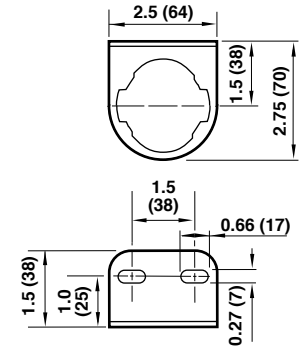
Dimensions in inches (mm)

| Product | Accessory  | Part No. |
|---------|--|----------|
| R73     | Wall bracket   | 4424-50  |
|         |  <p>Bracket and metal nut: 4461-50<br/>Metal Nut: 5191-88<br/>Plastic Nut: 5191-89</p>  |          |
|         |  <p>Wall bracket/metal nut</p>  |          |
|         |  <p>Cover and wire: 4455-51<br/>Wire: 2117-01</p> <p>Tamper resistant cover and wire. Install over knob to help prevent tampering of pressure setting. Use up to 4 padlocks with 5/16" (8mm) diameter shackle to secure cover. Lockout hasp may also be used.</p>   |          |
|         |  <p>Lockout hasp. Allows use of up to 6 padlocks with 5/16" (8mm) diameter shackle.</p>   | 54547-01 |
| R74     | Wall bracket   | 4324-50  |
|         |  <p>Bracket and metal nut: 4368-51<br/>Metal Nut: 4348-89</p>  |          |
|         |  <p>Wall bracket/metal nut</p>  |          |
|         |  <p>Cover and wire: 4355-51<br/>Wire: 2117-01</p> <p>Tamper resistant cover and wire. Install over knob to help prevent tampering of pressure setting. Use up to 4 padlocks with 5/16" (8mm) diameter shackle to secure cover. Lockout hasp may also be used.</p> |          |
|         |  <p>Lockout hasp. Allows use of up to 6 padlocks with 5/16" (8mm) diameter shackle.</p>   | 54547-01 |

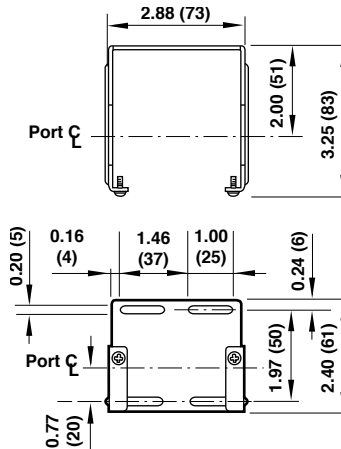
R73 Bracket (4424-50)



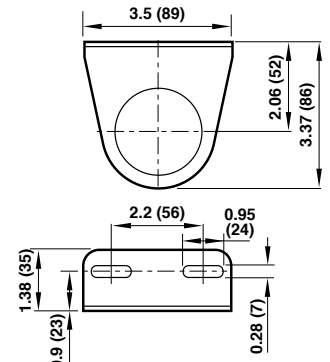
R73 Neck Bracket (4461-50)



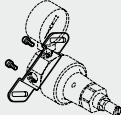

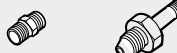


R74 Bracket (4324-50)



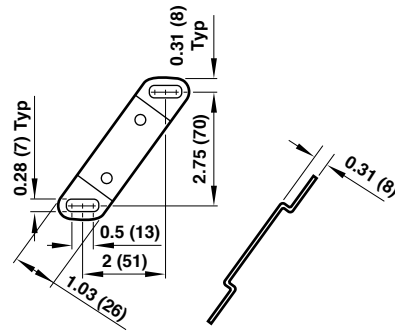
R74 Neck Bracket (4368-51)



Dimensions in inches (mm)

| Product                  | Accessory  | Part No.   |
|--------------------------|--|--|
| R81<br>R82<br>R83<br>R84 | Wall bracket<br>  | 5095-51  |
|                          | Pipe plug, hex socket<br>   | 1/4 PTF: 2891-97   |
|                          | Nipple<br>  | 1/4 PTF male: 18-006-067   |
|                          | Cylinder connector, nitrogen service, 0.906-14 RH external thread<br>       | CGA No. 580: 18-008-004  |
|                          | Cylinder connector, carbon dioxide service, 0.830-14 RH internal thread<br> | CGA No 320: 18-008-002<br>With 2.25" (57mm) long nipple: 18-008-015<br>Replacement gasket: 1390-02 |

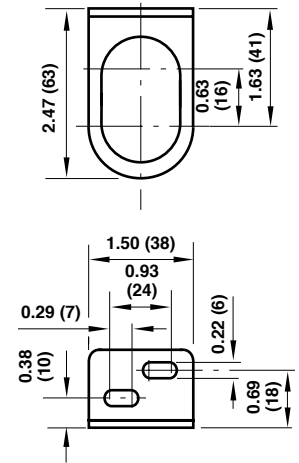
R81, R82, R83, R84 Bracket (5095-51)



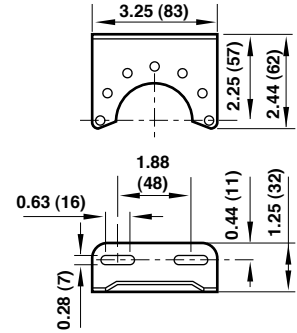
Dimensions in inches (mm)

| Product | Accessory   | Part No.  |
|---------|---|---|
| R91     | Wall bracket with plastic nut                                 | Bracket and plastic nut: 18-025-003<br>Plastic nut: 2962-89<br>Metal nut: 2962-04 |
|         | Tamper resistant knob   | 18-001-092  |
| 11-002  | Wall bracket  | 18-001-003  |
|         | Panel mount kit with T-bar adjustment<br>Bonnet included      | 18-003-004  |
|         | Panel mount kit with hand wheel adjustment<br>Bonnet included | 18-003-002  |
|         | Panel mount kit with screw adjustment<br>Bonnet included      | 18-003-006  |
| 11-008  | Wall bracket  | Units with 1/2" ports: 18-001-003<br>Units with 3/4" and 1" ports: 18-001-027     |

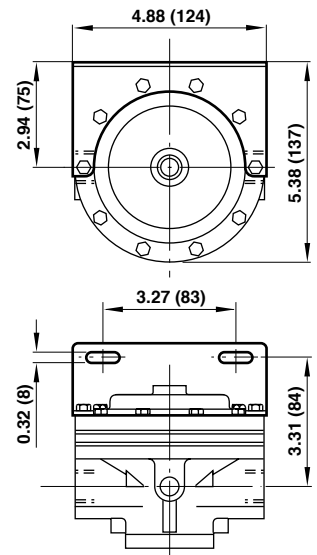
**R91 Bracket (18-025-003)**



**11-002 Bracket  
11-008 Bracket (Units with 1/2" Ports)  
(18-001-003)**



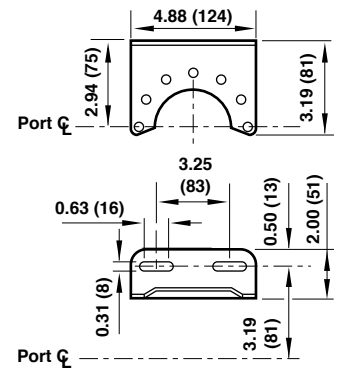
**11-008 Bracket (Units with 3/4" and 1" Ports) (18-001-027)**



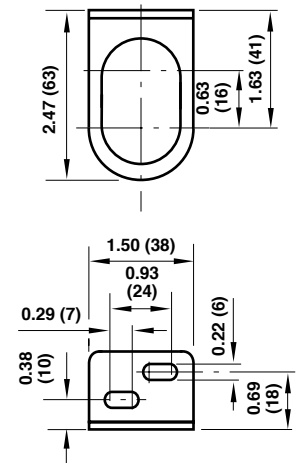
Dimensions in inches (mm)

| Product            | Accessory                     | Part No.  |
|--------------------|-------------------------------|---|
| 11-009             | Wall bracket                  | 18-001-029  |
|                    | Screw adjustment              | 1095-02   |
| 11-018             | Tamper resistant cap          | 639-02  |
| 11-042             | Muffler                       | 3/4 PTF: MB006A<br>R3/4: MB006B   |
| 11-044             | Wall bracket with plastic nut | Bracket and plastic nut: 18-025-003<br>Plastic nut: 2962-89<br>Metal nut: 2962-04 |
|                    | Tamper resistant knob         | 18-001-092  |
| 11400-20AL-11-104- | Wall bracket                  | 18-001-003  |

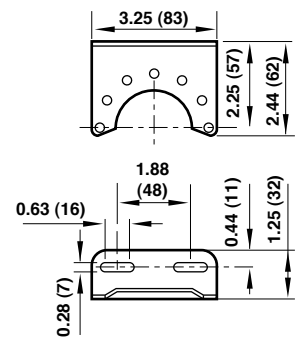
11-009 Bracket (18-001-029)








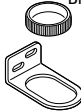

11-044 Bracket (18-025-003)

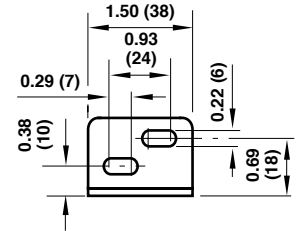
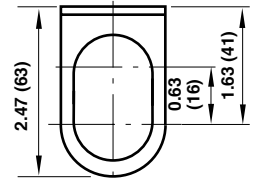
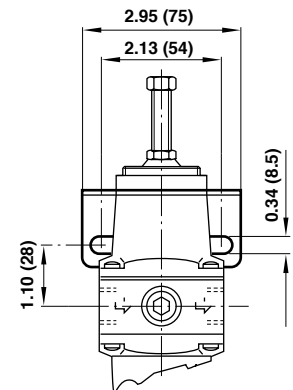
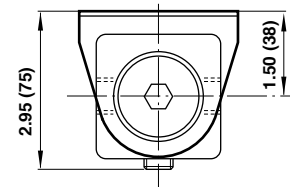


11400- Bracket 20AL Bracket (18-001-003)


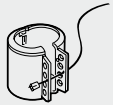

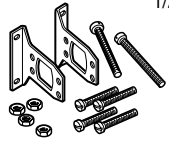
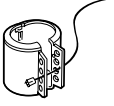



Dimensions in inches (mm)

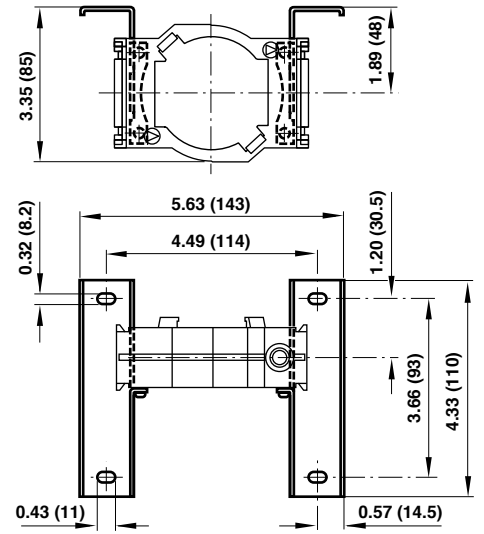
| Product | Accessory   | Part No.  |
|---------|---|---|
| B05     | Plastic Panel Nut   | 2962-89   |
|         |    |   |
| B07     | Wall bracket with plastic nut   | Bracket and plastic nut: 18-025-003<br>Plastic nut: 2962-89<br>Metal nut: 2962-04 |
|         |    |   |
|         | Tamper resistant knob   | 18-001-092  |
|         |    |   |
| B38     | Aluminum wall bracket and nut   | 18-001-974<br>Aluminum nut: 5988-01   |
|         |    |   |
|         | Stainless steel wall bracket and nut  | 18-001-973<br>Stainless steel nut: 5988-02  |
|         | Plastic adjusting knob  | 74630-04  |
|         |  |   |
| B39     | Wall bracket with plastic nut   | Bracket and plastic nut: 18-025-003<br>Plastic nut: 2962-89<br>Metal nut: 2962-04 |
|         |  |   |
|         | Tamper resistant knob   | 18-001-092  |
|         |  |   |

**B07, B39 Bracket (18-025-003)****B38 Bracket (18-001-974)**

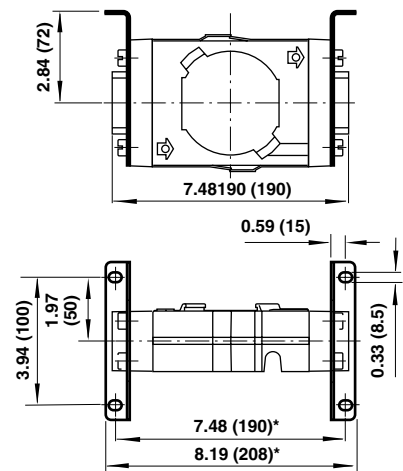
Dimensions in inches (mm)

| Product | Accessory   | Part No.  |
|---------|---|---|
| B64     | Wall bracket  | 74504-50  |
|         |  <p>Tamper resistant cover and wire. Install over knob to help prevent tampering of pressure setting. Use up to 4 padlocks with 5/16" (8mm) diameter shackle to secure cover. Lockout hasp may also be used.</p>  <p>Cover and wire: 4355-51<br/>Wire: 2117-01</p>  |   |
|         |  <p>Lockout hasp. Allows use of up to 6 padlocks with 5/16" (8mm) diameter shackle.</p>  | 54547-01  |
| B68     | Wall bracket  | 1/2", 3/4", 1", 1-1/4" Ports: 18-001-978<br>1-1/2" Ports: Not Available |
|         |  <p>Tamper resistant cover and wire. Install over knob to help prevent tampering of pressure setting. Use up to 4 padlocks with 5/16" (8mm) diameter shackle to secure cover. Lockout hasp may also be used.</p>  <p>Cover and wire: 4355-51<br/>Wire: 2117-01</p> |   |
|         |  <p>Lockout hasp. Allows use of up to 6 padlocks with 5/16" (8mm) diameter shackle.</p>  | 54547-01  |

**B64 Bracket (74504-50)**

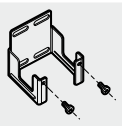
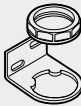
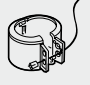

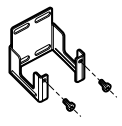
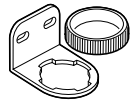
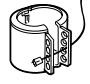

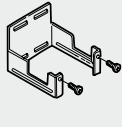

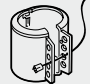



**B68 Bracket (18-001-978)**

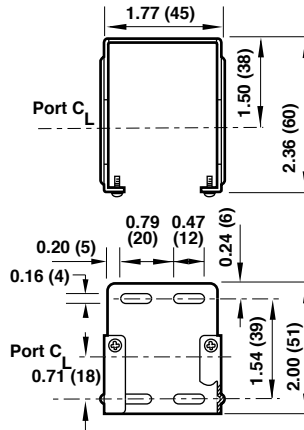


\* Add 0.39" (10) for 1-1/4" ported yokes.

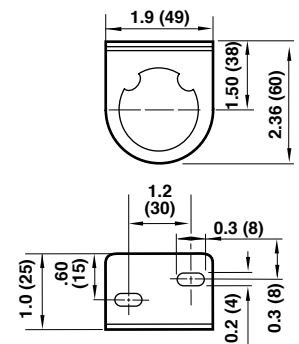
Dimensions in inches (mm)

| Product | Accessory  | Part No. |
|---------|--|----------|
| B72     | Wall bracket   | 4224-50  |
|         |  <p>Bracket and plastic nut: 74316-50<br/>Plastic nut: 4248-89<br/>Metal Nut: 4248-01</p>   |          |
|         |  <p>Bracket and plastic nut: 74316-50<br/>Plastic nut: 4248-89<br/>Metal Nut: 4248-01</p>   |          |
|         |  <p>Cover and wire: 4255-51<br/>Wire: 2117-01</p> <p>Tamper resistant cover and wire. Install over knob to help prevent tampering of pressure setting. Use up to 2 padlocks with 5/16" (8mm) diameter shackle to secure cover. Lockout hasp may also be used.</p>   |          |
|         |  <p>54547-01</p> <p>Lockout hasp. Allows use of up to 6 padlocks with 5/16" (8mm) diameter shackle.</p>   |          |
| B73     | Wall bracket   | 4424-50  |
|         |  <p>Bracket and metal nut: 4461-50<br/>Metal Nut: 5191-88<br/>Plastic Nut: 5191-89</p>  |          |
|         |  <p>Bracket and metal nut: 4461-50<br/>Metal Nut: 5191-88<br/>Plastic Nut: 5191-89</p>   |          |
|         |  <p>Cover and wire: 4455-51<br/>Wire: 2117-01</p> <p>Tamper resistant cover and wire. Install over knob to help prevent tampering of pressure setting. Use up to 4 padlocks with 5/16" (8mm) diameter shackle to secure cover. Lockout hasp may also be used.</p> |          |
|         |  <p>54547-01</p> <p>Lockout hasp. Allows use of up to 6 padlocks with 5/16" (8mm) diameter shackle.</p>   |          |
| B74     | Wall bracket   | 4324-50  |
|         |  <p>Bracket and metal nut: 4368-51<br/>Metal Nut: 4348-89</p>   |          |
|         |  <p>Bracket and metal nut: 4368-51<br/>Metal Nut: 4348-89</p>   |          |
|         |  <p>Cover and wire: 4355-51<br/>Wire: 2117-01</p> <p>Tamper resistant cover and wire. Install over knob to help prevent tampering of pressure setting. Use up to 4 padlocks with 5/16" (8mm) diameter shackle to secure cover. Lockout hasp may also be used.</p> |          |
|         |  <p>54547-01</p> <p>Lockout hasp. Allows use of up to 6 padlocks with 5/16" (8mm) diameter shackle.</p>   |          |

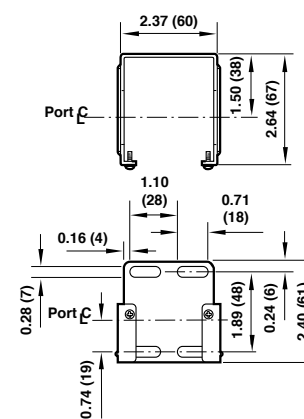
**B72 Bracket (4224-50)**



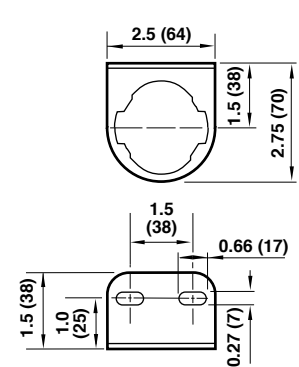
**B72 Neck Bracket (74316-02)**



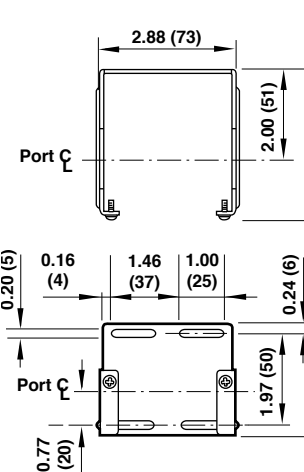
**B73 Bracket (4424-50)**



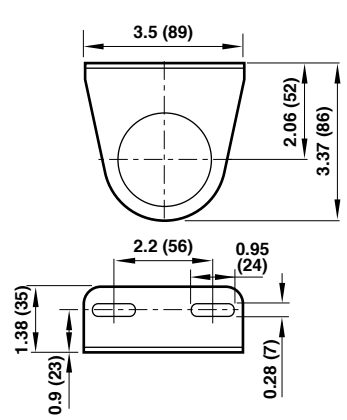
**B73 Neck Bracket (4461-50)**



**B74 Bracket (4324-50)**



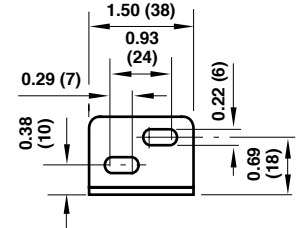
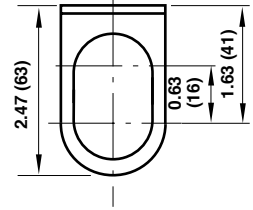
**B74 Neck Bracket (4368-51)**



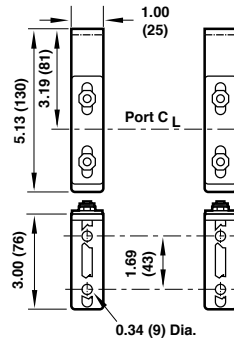
Dimensions in inches (mm)

| Product | Accessory   | Part No.  |
|---------|---|---|
| L07     | Wall bracket with plastic nut   | Bracket and plastic nut: 18-025-003<br>Plastic nut: 2962-89<br>Metal nut: 2962-04 |
| L17     | Wall bracket - use with 1 and 2 quart reservoirs only   | 3/4", 1" Ports: 6212-50<br>1-1/4", 1-1/2" Ports: 6212-51                          |
|         | Pyrex dome and metal fill plug  | 5605-60   |
|         | Quick fill cap.<br>Use with 18-010-003 oil pump, pail, and hose assembly (see catalog sheet NC-26) to refill reservoir without shutting off air supply. Replaces fill plug. | 18-011-021  |
|         | Fill plug with 1/8 PTF tapped hole. Use with customer supplied pressurized oil source to refill reservoir without shutting off air supply. Replaces standard fill plug.     | 5301-52   |
| L22     | Wall bracket  | 18-001-962  |

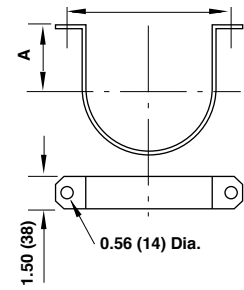
L07 Bracket (18-025-003)



L17 Bracket (6212-50, 6212-51)

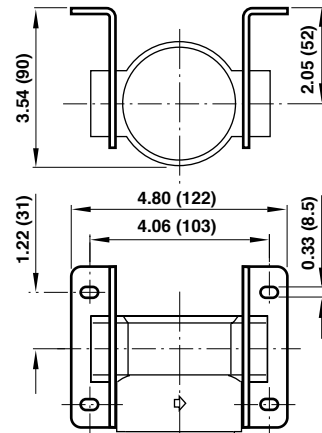


L17 Strap (18-001-039/056)



| Bracket    | A          | B          |
|------------|------------|------------|
| 18-001-056 | 3.00 (76)  | 8.84 (225) |
| 18-001-039 | 5.00 (127) | 13.0 (330) |

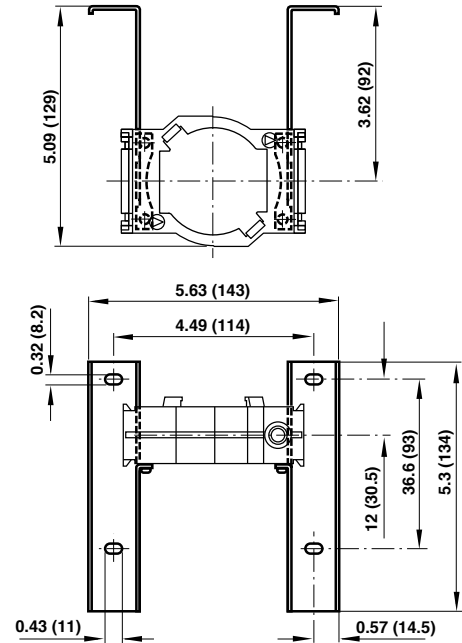
L22 Bracket (18-001-962)



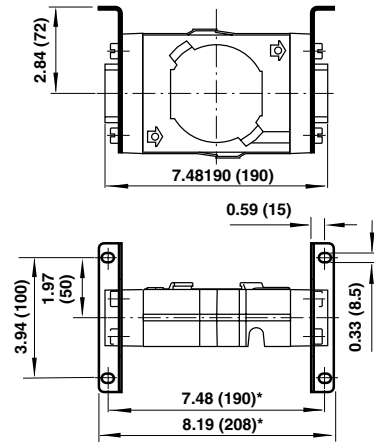
Dimensions in inches (mm)

| Product | Accessory   | Part No.  |
|---------|---|---|
| L64     | Wall bracket  | 7 ounce bowl: 74504-50<br>1 quart bowl: 74504-52                        |
|         | Tamper resistant seal wire for sight-feed dome  | 2117-01   |
|         | Low oil level switch. Provides electrical signal for warning or shut-down when oil level is low.  | 1 qt reservoir: 18-023-610  |
|         | Quick fill cap<br>Use with 18-010-003 oil pump, pail, and hose assembly (see catalog sheet NC-26) to refill reservoir without shutting off air supply. Replaces fill plug.  | 18-011-024  |
|         | Remote fill - use with 7 ounce reservoir only Use with customer supplied pressurized oil source to automatically refill reservoir.  | 5335-50   |
| L68     | Wall bracket  | 1/2", 3/4", 1", 1-1/4" Ports: 18-001-978<br>1-1/2" Ports: Not Available |
|         | Tamper resistant seal wire for sight-feed dome  | 2117-01   |
|         | Quick fill cap.<br>Use with 18-010-003 oil pump, pail, and hose assembly (see catalog sheet NC-26) to refill reservoir without shutting off air supply. Replaces fill plug. | 18-011-021  |
|         | Remote fill - use with 1 qt reservoirs only Use with customer supplied pressurized oil source to automatically refill reservoir.  | 5335-52   |

**L64 Bracket (74504-52)**



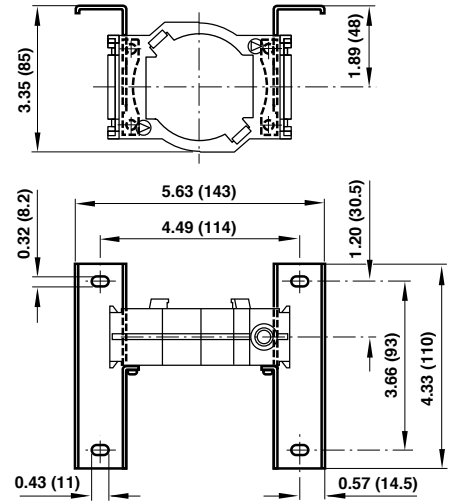
**L68 Bracket (18-001-978)**



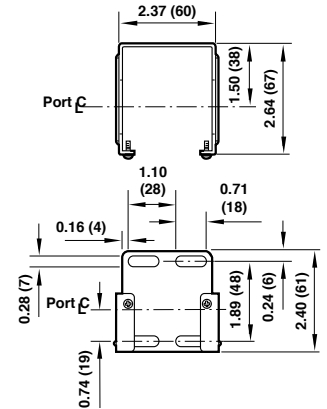
Dimensions in inches (mm)

| Product | Accessory   | Part No.                                       |
|---------|---|--|
| L72     | Wall bracket  | 4224-50  |
| L73     | Wall bracket  | 4424-50  |
|         | Quick fill cap.<br>Use with 18-010-003 oil pump, pail, and hose assembly (see catalog sheet NC-26) to refill reservoir without shutting off air supply. Replaces fill plug. | 18-011-024                                     |
| L74     | Wall bracket  | 7 ounce bowl: 4324-50<br>1 quart bowl: 4324-51 |
|         | Low oil level switch - use with 1 qt reservoir only<br>Provides electrical signal for warning or shut down when oil level is low.   | 18-023-610                                     |
|         | Quick fill cap.<br>Use with 18-010-003 oil pump, pail, and hose assembly (see catalog sheet NC-26) to refill reservoir without shutting off air supply. Replaces fill plug. | 18-011-024                                     |
|         | Remote fill - use with 7 ounce reservoir only<br>Use with customer supplied pressurized oil source to automatically refill reservoir.                                       | 5335-50  |

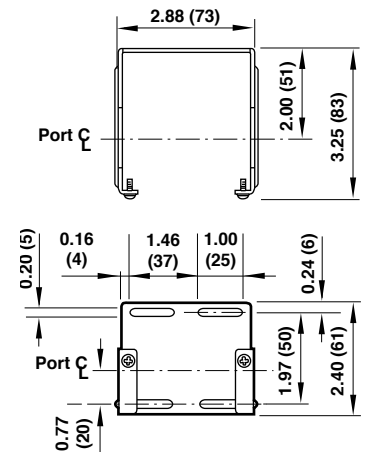
L64 Bracket (74504-50)



L73 Bracket (4424-50)



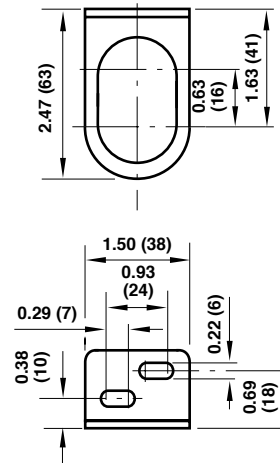
L74 Bracket (4324-50)



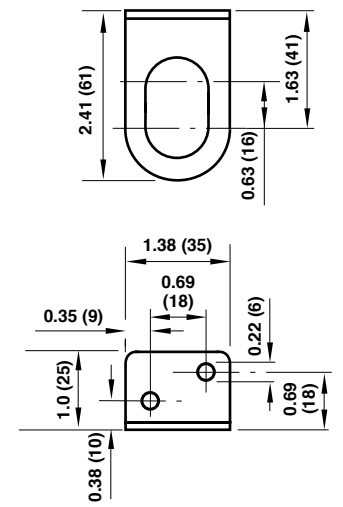
Dimensions in inches (mm)

| Product | Accessory                                | Part No.  |
|---------|--|---|
| V06     | Wall bracket for V06 with plastic bonnet | Bracket and plastic nut: 18-025-003<br>Plastic nut: 2962-89<br>Metal nut: 2962-04 |
|         | Wall bracket for V06 with brass bonnet   | Bracket and metal nut: 18-001-021<br>Metal nut: 616-01                            |
|         | Tamper resistant knob kit                | 18-001-092  |
| V07     | Wall bracket with plastic nut            | Bracket and plastic nut: 18-025-003<br>Plastic nut: 2962-89<br>Metal nut: 2962-04 |
|         | Tamper resistant knob kit                | 18-001-092  |
| V64     | Wall bracket                             | 74504-50  |
|         | Muffler                                  | 1/2 PTF: MB004A<br>R1/2: MB004B   |
| V68     | Wall bracket                             | 3/4", 1", 1-1/4" Ports: 18-001-978<br>1-1/2" Ports: Not Available                 |
|         | Muffler                                  | 1/2 PTF: MB008A<br>R1/2: MB008B   |

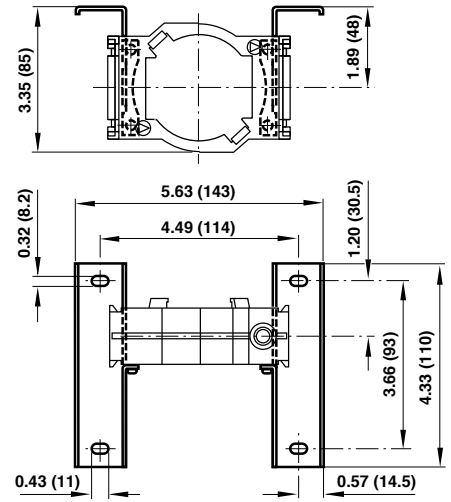
V06, V07 Bracket (18-025-003)



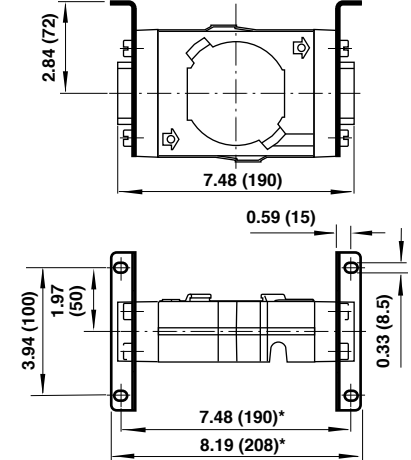
V06 Bracket for Brass Bonnet (18-001-021)



V64 Bracket (74504-50)

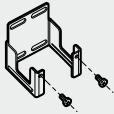
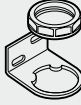
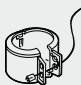

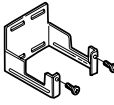
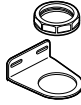
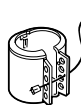



V68 Bracket (18-001-978)

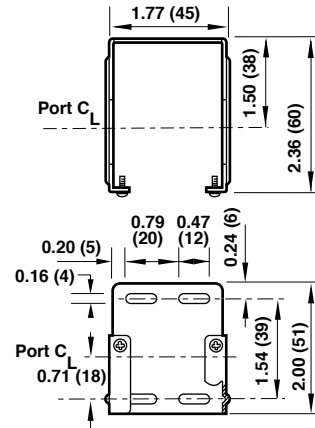


\* Add 0.39" (10) for 1-1/4" ported yokes.

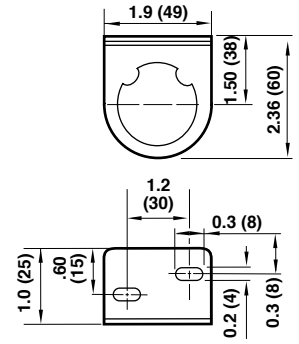
Dimensions in inches (mm)

| Product | Accessory  | Part No.  |
|---------|--|---|
| V72     | Wall bracket   | 4224-50   |
|         |   |   |
|         | Wall bracket/plastic nut<br>  | Bracket and plastic nut: 74316-50<br>Bracket and metal nut: 74316-51<br>Plastic nut: 4248-89<br>Metal Nut: 4248-01              |
|         | Tamper resistant cover and wire.<br>Install over knob to help prevent tampering of pressure setting.<br>Use up to 2 padlocks with 5/16" (8mm) diameter shackle to secure cover. Lockout hasp may also be used. | Cover and wire: 4255-51<br>Wire: 2117-01<br>   |
|         | Lockout hasp.<br>Allows use of up to 6 padlocks with 5/16" (8mm) diameter shackle.   | 54547-01<br>                                   |
| V74     | Wall bracket   | 4324-50   |
|         |   |   |
|         | Wall bracket/metal nut<br>  | Bracket and metal nut: 4368-51<br>Metal Nut: 4348-89  |
|         | Tamper resistant cover and wire.<br>Install over knob to help prevent tampering of pressure setting.<br>Use up to 4 padlocks with 5/16" (8mm) diameter shackle to secure cover. Lockout hasp may also be used. | Cover and wire: 4355-51<br>Wire: 2117-01<br> |
|         | Lockout hasp.<br>Allows use of up to 6 padlocks with 5/16" (8mm) diameter shackle.   | 54547-01<br>                                 |

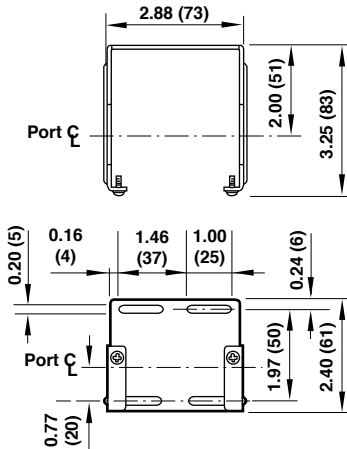
V72 Bracket (4224-50)



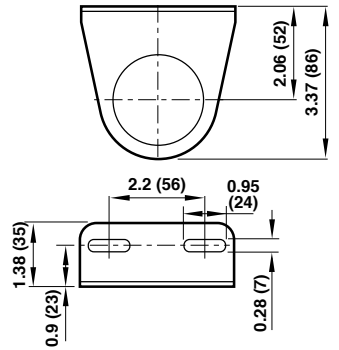
V72 Neck Bracket (74316-02)



V74 Bracket (4324-50)



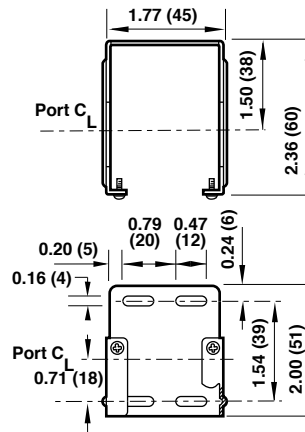
V74 Neck Bracket (4368-51)



Dimensions in inches (mm)

| Product | Accessory  | Part No.   |
|---------|--|--|
| T72     | Wall bracket   | 4224-50  |
|         | Mufflers (T72T)  | Diffuser (10-32 and M5): 54463-01<br>Muffler (10-32): MS000A<br>Muffler (M5): T40M0500 |
|         | Lockout hasp. (use only with T72E and T72T)<br>Allows use of up to 6 padlocks with 5/16" (8mm) diameter shackle. | 54547-01   |
| T64     | Muffler (T64T)   | Muffler (1/8 PTF): MS001A<br>Muffler (R1/8): T40B1800                                  |
|         | Lockout hasp.<br>Allows use of up to 6 padlocks with 5/16" (8mm) diameter shackle.                               | 54547-01   |
| T68     | Lockout hasp.<br>Allows use of up to 6 padlocks with 5/16" (8mm) diameter shackle.                               | 54547-01   |
| T73     | Mufflers (T73T)  | Diffuser (10-32 and M5): 54463-01<br>Muffler (10-32): MS000A<br>Muffler (M5): T40M0500 |
|         | Lockout hasp.<br>Allows use of up to 6 padlocks with 5/16" (8mm) diameter shackle.                               | 54547-01   |
| T74     | Muffler (T74T)   | Muffler (1/8 PTF): MS001A<br>Muffler (R1/8): T40B1800                                  |
|         | Lockout hasp.<br>Allows use of up to 6 padlocks with 5/16" (8mm) diameter shackle.                               | 54547-01   |

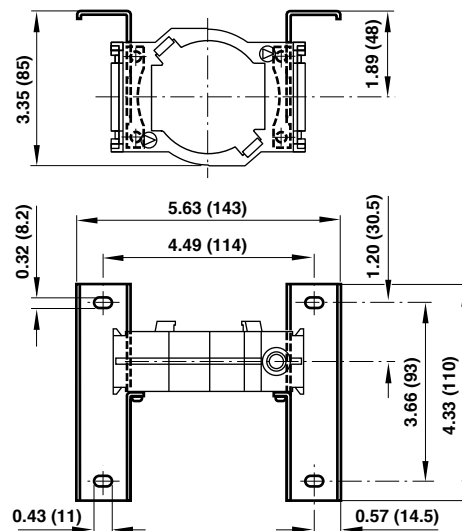
T72 Bracket (4224-50)



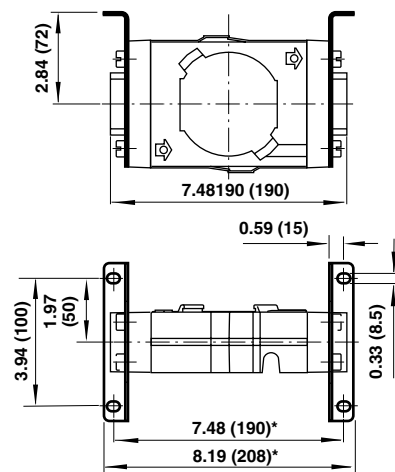
Dimensions in inches (mm)

| Product | Accessory   | Part No.   |
|---------|---|--|
| P72     | Mufflers for P72C and P72F  | 1/4 PTF: MB002A<br>R1/4: MB002B                                      |
|         | Lockout hasp for P72F.<br>Allows use of up to 6 padlocks with 5/16" (8mm) diameter shackle.                             | 54547-01   |
| P64F    | Wall bracket  | 74504-50   |
|         | Muffler   | 1/2 PTF: MB004A<br>R1/2: MB004B                                      |
|         | Lockout hasp.<br>Allows use of up to 6 padlocks with 5/16" (8mm) diameter shackle.                                      | 54547-01   |
| P68F    | Wall bracket  | 3/4", 1", 1-1/4" Ports:<br>18-001-978<br>1-1/2" Ports: Not Available |
|         | Muffler   | 1" PTF: MB008A<br>R1 : MB008B  |
|         | Lockout hasp.<br>Allows use of up to 6 padlocks with 5/16" (8mm) diameter shackle.                                      | 54547-01   |
| P74     | Wall bracket  | 4324-50  |
|         | Mufflers for P74C and P74F  | 1/2 PTF: MB004A<br>R1/2: MB004B                                      |
|         | Lockout hasp for P74F and P74C with lockout slide:<br>Allows use of up to 6 padlocks with 5/16" (8mm) diameter shackle. | 54547-01   |

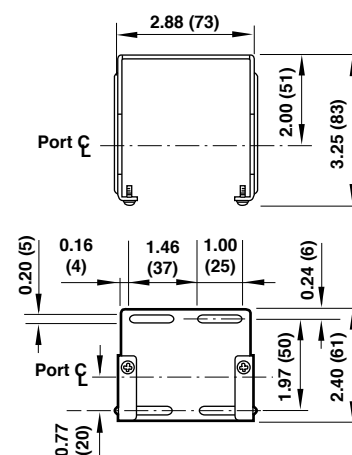
**P64 Bracket (74504-50)**



**P68 Bracket (18-001-978)**



**P74 Bracket (4324-50)**



Dimensions in inches (mm)