

Pilot-operated soft spool seal valve
Inlet port size 1/4" NPT (optional G1/4)Approval depends on
magnetic system**Technical data****Medium:**Filtered, non-lubricated or dry
compressed air**Operating pressure:**

2 ... 8 bar (29 ... 116 psi)

Fluid/Ambient temperature:

Valve: -15 ... +60°C (-5 ... 140°F)

Depending on solenoid system.

Air supply must be dry enough to avoid
ice formation at temperatures below +2°C
(+35°F).**Materials:**Housing: Aluminum 3.0615
anodized

Pilot flange: Plastic (PBT)

Seals: NBR

**The solenoid valves are used
in ATEX- zones, resulting from
Protection Class Atex-category of
solenoids(see table of solenoids).****Technical data**




Symbol	Model *1)	Port size	Function	Actuation/Return	Operating pressure (bar)	Flow (l/min)
	9713032*	G 1/4	3/2	Solenoid/air spring	2 ... 8	750
	9713042*	1/4 NPT	3/2	Solenoid/air spring	2 ... 8	750
	9710032*	G 1/4	5/2	Solenoid/air spring	2 ... 8	750
	9710042*	1/4 NPT	5/2	Solenoid/air spring	2 ... 8	750
	9711032*	G 1/4	5/2	Solenoid/Solenoid	2 ... 8	750
	9711042*	1/4 NPT	5/2	Solenoid/Solenoid	2 ... 8	750
	9712032*	G 1/4	5/3 APB	Solenoid/Solenoid, APB	2 ... 8	500
	9712042*	1/4 NPT	5/3 APB	Solenoid/Solenoid, APB	2 ... 8	500

*1) To order a series 97100 Inline valve, 3/2 function, G 1/4" port with a 24 Vdc, IP65, DIN Form B coil, Model Number: 9713032305002400.

Valve model code 9713032 + Coil code 305002400 = Model Number: 9713032305002400.

To order the valve only, replace the * after the Valve model code from the table with 9 zero's, i.e. 9713032000000000.

Solenoid operators

	Power consumption		Rated current		Ex-Protection	Protection Class (ATEX- Category) IP-Protection According to EN60529	Temperature Ambient/Medium (°C)	Order separately	Coil code
	24 VDC (W)	230 VAC (VA)	24 VDC (mA)	230 VAC (mA)					
	1.8	-	70	-	-	IP 65 (Connector DIN EN 175301-803, Form B) *6)	-15 ... +50	0000000305002400	305002400
	0.7	-	29	-	-	IP 65 (Connector DIN EN 175301-803, Form A) *6)	-15 ... +50	0000000303402400	303402400
		2.0 *2)	4					0000000303423050	303423050
	2.7	-	115	-	II2G II2D	Ex mb IIC T5 Gb Ex mb tb T95°C Db IP 65 (with 3 m cable)	-20 ... +50	0000000306202400	306202400
	-	2.1	-	9	II2G II2D	Ex mb IIC T5 Gb Ex mb tb T95°C Db IP 65 (with 3 m cable)	-20 ... +50	0000000306323050	306323050


Standard voltages 24 V d.c., 230 V a.c., other voltages on request.

*2) Valves can be operated with DC only. For 230V AC application please use 206V DC coil together with

rectifier plug 0663303

*6) Connector is not scope of delivery, see table »Accessories«

For intrinsically safe circuits, Protection class Ex ia IIC T6/T4 (cat. II 2G)

	Nominal resistance RN Coil (Ω)	Required switching min. Current min (mA)	Rated current RW 50 Coil (Ω)	Required switching at terminal RW 50 (V)	Temperature Ambient/Medium (°C)	Order separately *1)	Coil code
	275	37	345	13,8	T6 -40 ... +50 T4 -40 ... +85	0000000303900000 *6)	303900000

When selecting an intrinsically safe power supply, the permissible maximum values according to the Certificate of Conformity should be taken in account.

On the other hand, the low effective inductivity and capacity can be ignored.

*6) Connector not supplied, required connector: model 0570275

Accessories

Connector DIN EN 175301-803	Silencer *1) (plastic)	Silencer (stainless steel) *1)	Exhaust guard *2)
			
0570275000000000 Form A	M/S2 (G1/4)	0014613000000000 (G 1/4)	0613422000000000 (1/4")
0663303000000000 Form A (with rectifier)	C/S2 (1/4NPT)	0613678000000000 (1/4 NPT)	
0680003000000000 Form B			

Approvals

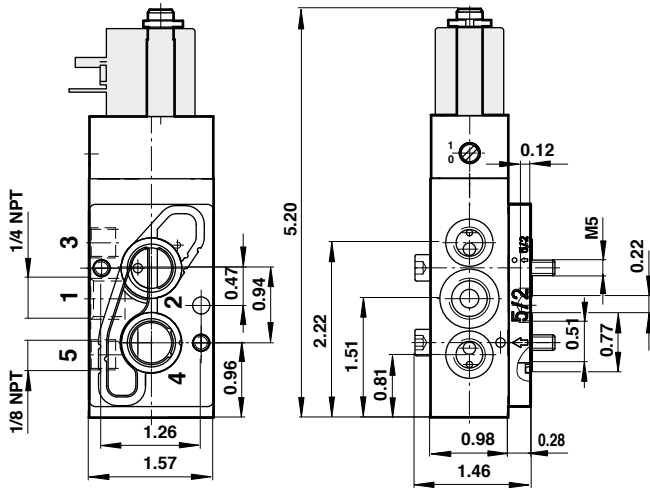
Model	Approvals ATEX	FM
306x	PTB 03 ATEX 2015 X	—
3039	PTB 03 ATEX 2134	CSA-LR 51090-4

*1) For indoors use only

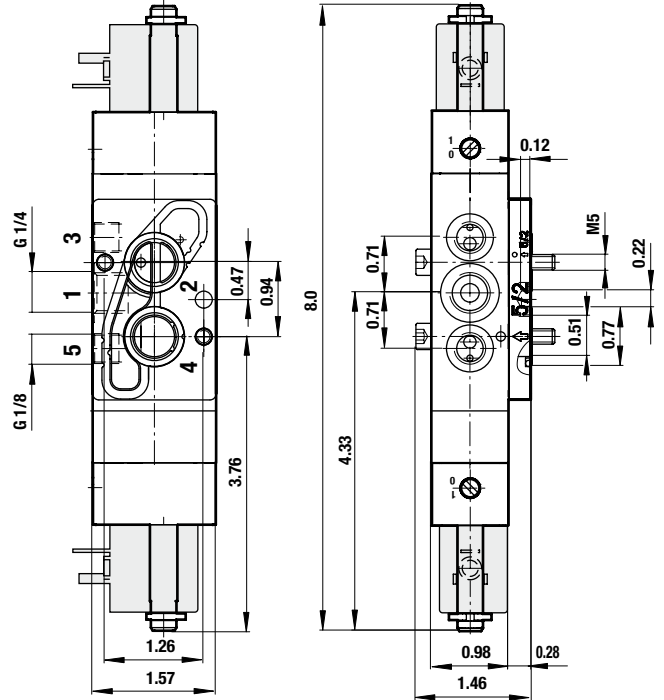
*2) For outdoors use ~ 0,2 (bar)

Dimensional drawings for valves

Drawing 1

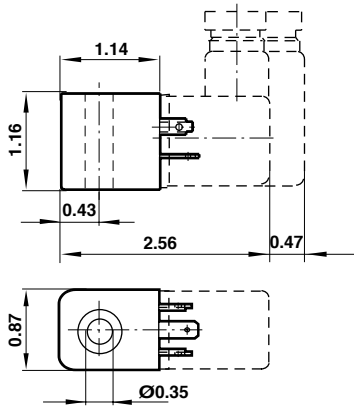


Drawing 2 and 3

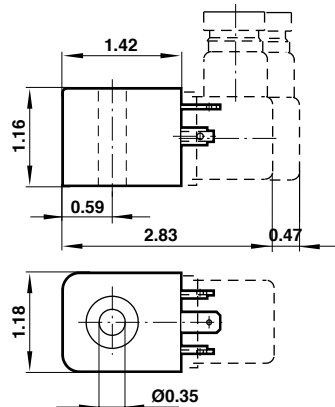


Dimensional drawings for solenoid operators

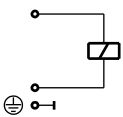
Drawing 4 *



Drawing 5 *

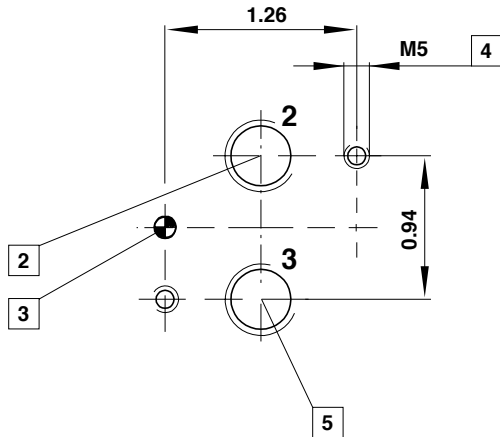


Circuit diagram 1



Dimensions in inches

NAMUR hole pattern *

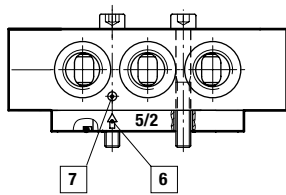


Drawing legend

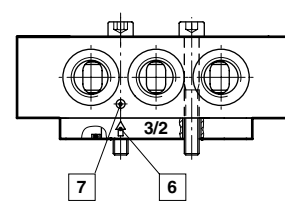
- 2 Port 2 (A)
- 3 Coding screw
- 4 M5 x 10
- 5 Port 3 (R)

Conversion instructions of 5/2 into 3/2-way function

5/2-way function (original mode of supply)



3/2-way function



Drawing legend

- 6 Arrow
- 7 Marker

3/2 or 5/2-way function can be achieved by swapping enclosed adaptor plates.
 Make sure Marker and Arrow match as shown on above drawing. Original mode of supply: 5/2 function.

Dimensions in inches

Subject to Change