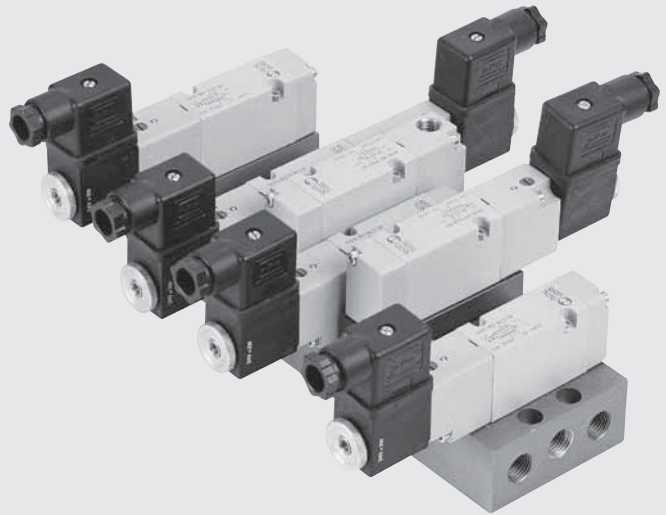


VALVES SERIES 70 ON BASE

The series 70 valves on base, available in the air- and solenoid-actuated versions, is an excellent clean solution for use when it is necessary to intervene on the valves without disconnecting the pipes. Here, the inlet, output and utility ports are in the base.



DISTRIBUTORS

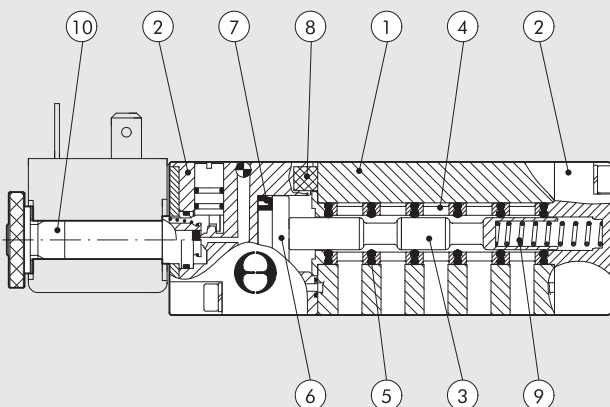
VALVES SERIES 70 ON BASE

TECHNICAL DATA

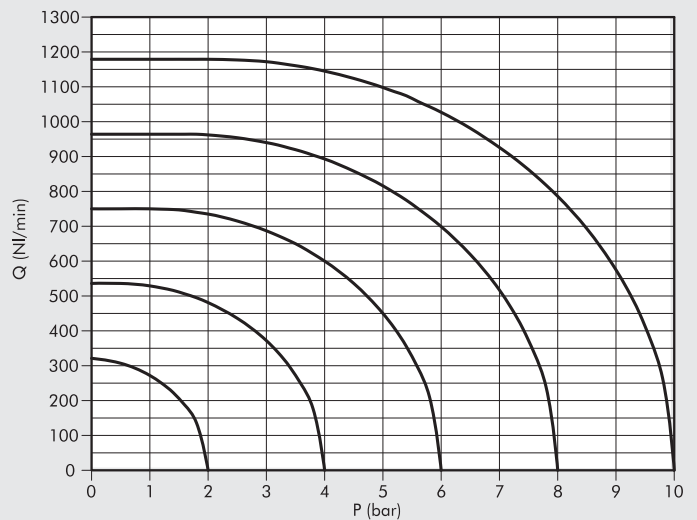
Operating pressure:		
• monostable	bar	2.5 to 10
• bistable	bar	1 to 10
• pilot-assisted	bar	Vacuum to 10
Minimum pilot pressure	bar	2.5
Operating temperature range	°C	-10 to +60
Nominal diameter	mm	5
Conductance C	NI/min · bar	107.69
Critical ratio b	bar/bar	0.29
Flow rate at 6 bar ΔP 0.5 bar	NI/min	320
Flow rate at 6 bar ΔP 1 bar	NI/min	450
Maximum torque coil nut	Nm	1

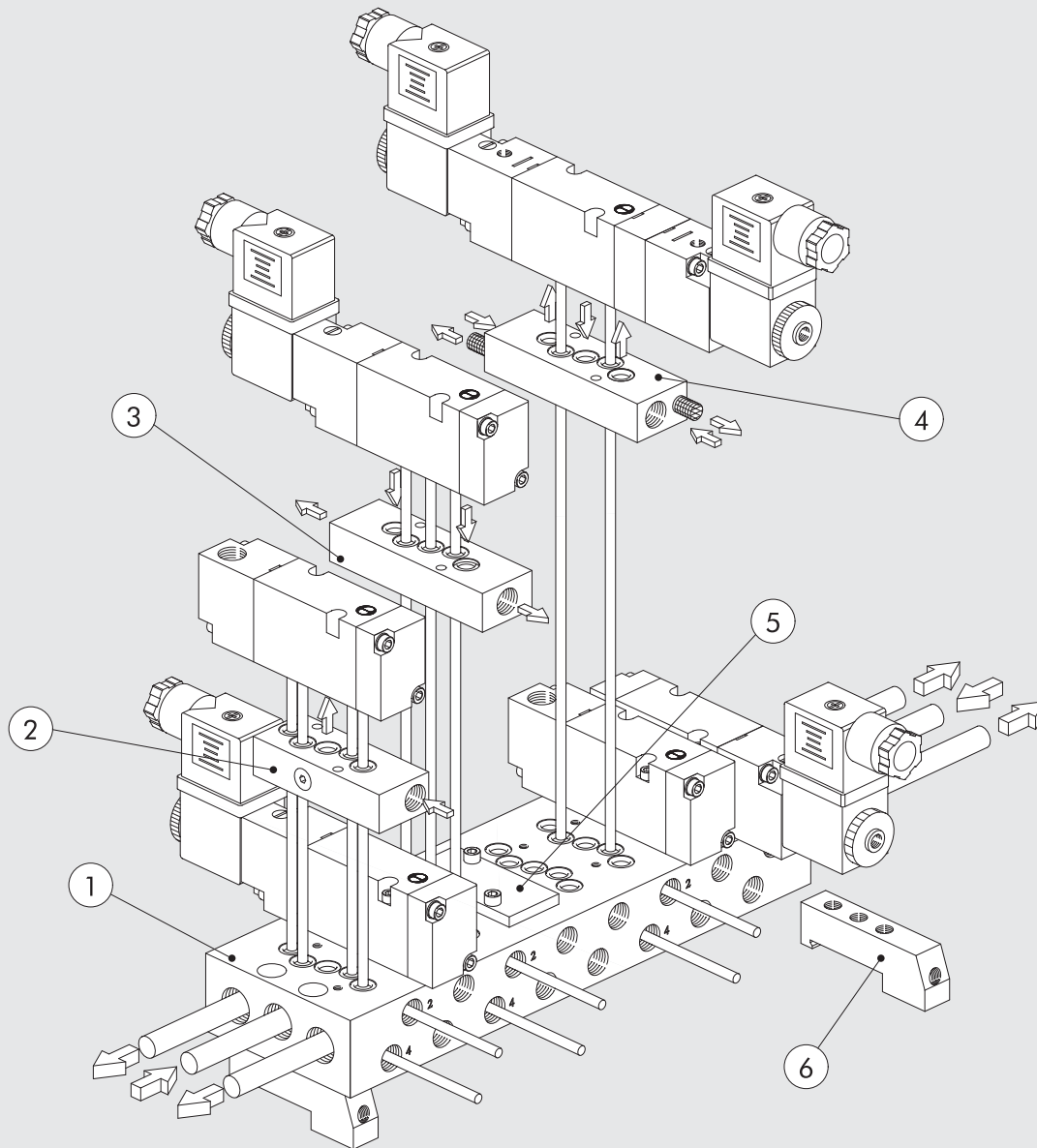
COMPONENTS

- ① VALVE BODY: Aluminium
- ② CONTROL/BASE: Hostaform®
- ③ SPOOL: chemically nickel-plated aluminium
- ④ DISTANCE PLATES: plastic
- ⑤ GASKETS: NBR
- ⑥ PISTONS: Hostaform®
- ⑦ PISTON GASKET: NBR
- ⑧ FILTER: sintered Bronze
- ⑨ SPRINGS: special steel
- ⑩ OPERATOR: Brass pipe – Stainless steel core



FLOW CHART



MULTI-PURPOSE BASE FOR VALVES SERIES 70 ON BASE


Reference	Code	Description
①	0223100201	2-position base 1/8 on base
	0223100401	4-position base 1/8 on base
	0223100601	6-position base 1/8 on base
	0223100801	8-position base 1/8 on base
	0223101001	10-position base 1/8 on base
②	0223106301	Separate feed kit
③	0223106303	Exhaust regulation kit
④	0223106302	Exhaust feed kit
⑤	0223106500	Blanking plate
⑥	0226004600	Adapter for omega bar

SYNOPTIC, SIZES AND VERSIONS

P N V FAMILY		B DIMENSIONS	5 FUNCTION	P N OPERATORS 14		S RESETTING (12)	O O FURTHER DETAILS
PNV	pneumatic	B 1/8" on base	5	PN	pneumatic	S	OO 5/2
SOV	electro-pneumatic		6	SO	solenoid	B	CC closed centres
				SE	solenoid assisted	D	OC open centres
							PC pressure centres

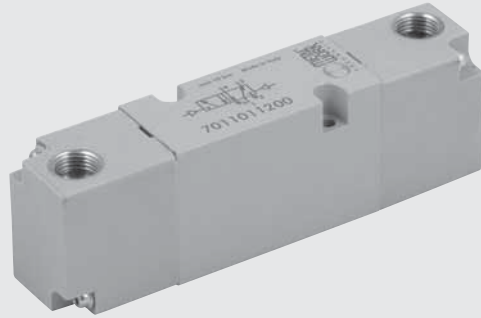
VALVES, SERIES 70, PNEUMATIC, ON BASE

DISTRIBUTORS

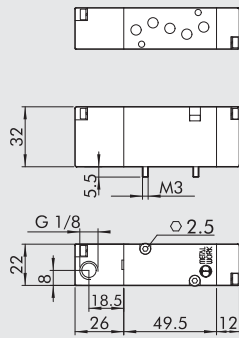
VALVES SERIES 70 ON BASE

TECHNICAL DATA

Operating pressure	bar	Vacuum to 10
Minimum actuation pressure:		
• monostable	bar	2.5
• bistable	bar	1
Operating temperature range	°C	-10 to +60
Nominal diameter	mm	5
Conductance C	Nl/min · bar	107.69
Critical ratio b	bar/bar	0.29
Flow rate at 6 bar ΔP 0.5 bar	Nl/min	320
Flow rate at 6 bar ΔP 1 bar	Nl/min	450
TRA / TRR monostable at 6 bar	ms	6/15
TRA / TRR bistable at 6 bar	ms	7/7

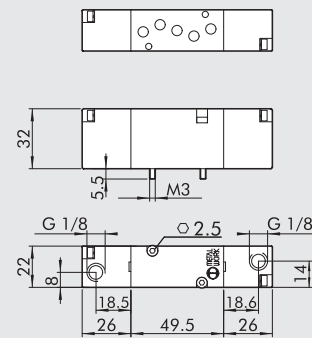


MONOSTABLE 5/2



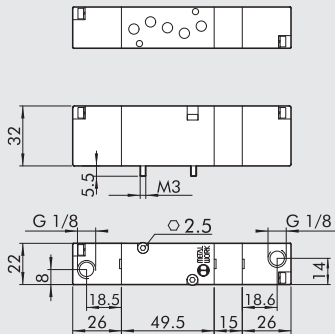
Symbol	Code	Abbrev.	Weight [g]
	7011011100	PNV B5 PNS OO	125

BISTABLE 5/2



Symbol	Code	Abbrev.	Weight [g]
	7011011200	PNV B5 PNB OO	136
	7011011300	PNV B5 PND OO	142

MONOSTABLE 5/3



Symbol	Code	Abbrev.	Weight [g]
	7011012100	PNV B6 PNS CC	164
	7011012200	PNV B6 PNS OC	164
	7011012300	PNV B6 PNS PC	164

NOTES