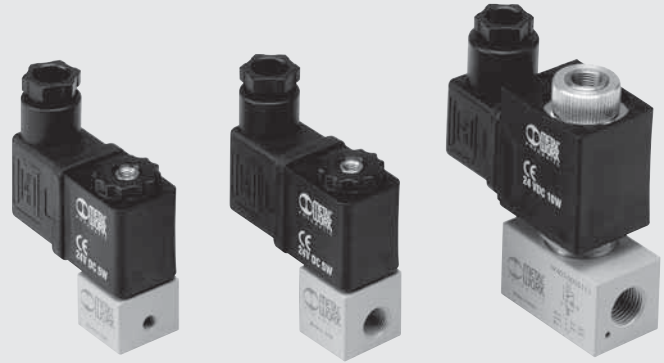


SOLENOID VALVES PIV IN LINE



- PIV.I – PIV.B in-line solenoid valves
- Threaded ports: M5, G1/8", G1/4"
- 2/2 – 3/2 solenoid valves - normally closed/normally open
- Installation in any position
- Particularly suitable for high operating frequencies and low response times.



DISTRIBUTORS

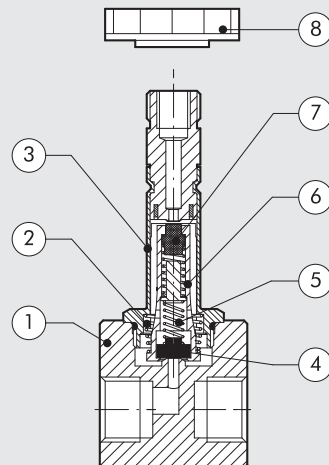
SOLENOID VALVES PIV IN LINE

TECHNICAL DATA	PIV.I IN LINE	PIV.B IN LINE
Absorption	5W to 5VA	10W - 13VA
Voltage available	12; 24VDC - 24; 110; 220VAC 50/60Hz	24VDC - 24; 110; 220VAC 50/60 Hz
Voltage tolerance	% -10 to 15	-10 to 15
Max operating frequency	Hz 30	15
Solenoid rating	% 100	100
Response time	ms 8 to 15	10 to 15
Type of protection	IP 65	IP 65
Type of coil	Coil side 22 Ø 8 DIN 43650	Coil side 30 DIN 43650
Insulation class	155	155
Ambient temperature	°C -15 to 50	-15 to 50
Fluid temperature	°C -15 to 50	-15 to 50
Fluid	Filtered lubricated or unlubricated air	Filtered lubricated or unlubricated air
Working life	25 million cycles	-
Weight	35 to 40 (depending on version)	130
Maximum coil/nut torque	Nm 1	1

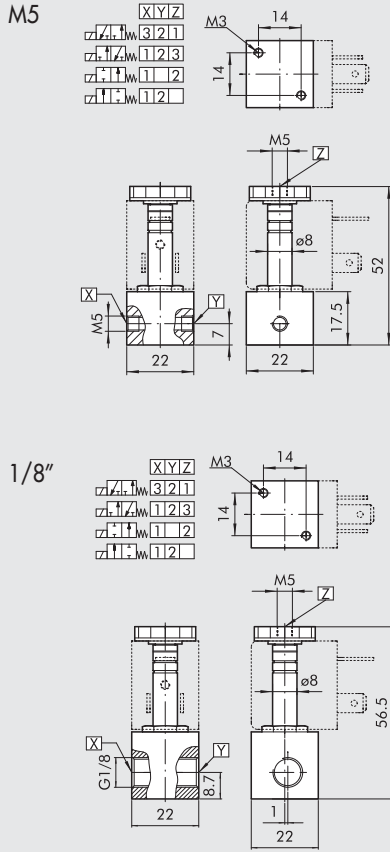
Note on use:
The 2/2 NC and 2/2 NO valves work only with inlet pressure ≥ outlet pressure.

COMPONENTS

- ① Body: aluminium
- ② Springs: steel
- ③ Sleeve
- ④ Gasket: NBR
- ⑤ Springs: steel
- ⑥ Mobile core
- ⑦ Gasket: FKM/FPM
- ⑧ Coil locking ring

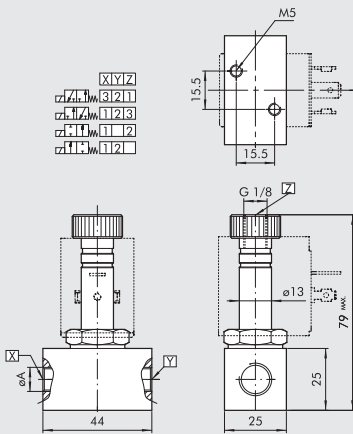


PIV.I VALVES, OPERATOR Ø 8 mm, IN LINE – M5 – 1/8"



Symbol	Code	Description	Input thread	Air hole Ø [mm]	kv Factor	Max oper. pressure [bar]	
						DC 5W	AC 5VA
	W4017000100	PIV42I5S NC	M5	1.2	0.65	30	30
	W4017001300	PIV92I8S NC	G1/8"	2.4	2	6	7
	W4017001100	PIV42I8S NC	G1/8"	1.2	0.65	30	30
	W4017001200	PIV72I8S NC	G1/8"	1.6	1.2	15	14
	W4017000101	PIV72I5S NO	M5	1.4	0.8	10	10
	W4017003100	PIV43I5S NC	M5	1.2	0.65	10	10
	W4017004100	PIV43I8S NC	G1/8"	1.2	0.65	10	10
	W4017004200	PIV73I8S NC	G1/8"	1.6	1	6.5	6.5
	W4017004201	PIV73I8S NO	G1/8"	1.4	0.7	6	7

PIV.B VALVES, OPERATOR Ø 13, IN LINE



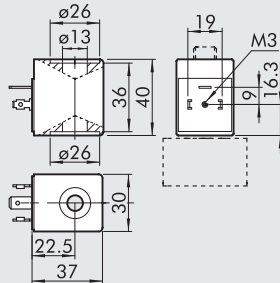
Symbol	Code	Description	Input thread	Ø Air hole [mm]	kv Factor	Max oper. pressure [bar]	
						DC 10W	AC 13VA
	W4026005001	PIV73B8S NO	G1/8"	1.6	1.2	6	12
	W4026005101	PIV73B4S NO	G1/4"	1.6	1.2	6	12
	W4026005111	PIV93B4S NO	G1/4"	2.4	2	3	4
	W4026005010	PIV93B8S NC	G1/8"	2.4	2.8	8	10
	W4026005020	PIVW3B8S NC	G1/8"	3	4	5.5	6
	W4026005000	PIV73B8S NC	G1/8"	1.6	1.4	14	17
	W4026005100	PIV73B4S NC	G1/4"	1.6	1.4	14	17
	W4026005110	PIV93B4S NC	G1/4"	2.4	2.8	8	8
	W4026005120	PIVW3B4S NC	G1/4"	3	4	5.5	6
	W4026004000	PIV92B4S NC	G1/4"	2.4	3	15	30
	W4026004010	PIVX2B4S NC	G1/4"	4	7	6	12
	W4026004020	PIVZ2B4S NC	G1/4"	6	9	1.5	5
	W4026004001	PIV92B4S NO	G1/4"	2.4	2.6	13	15

SYNOPTIC, SIZES AND VERSIONS

P I V FAMILY	7 AIR HOLE	2 NUMBER OF WAYS	B CONNECTION	4 THREAD	S VERSION	N C FURTHER DETAILS
	4 1.2 mm	2 2 ways	I 22 x 22 operator Ø 8	5 M5	S standard	NC normally closed NO normally open
	7 1.6 mm	3 3 ways		4 G1/4"		
	9 2.4 mm		B 30 x 30 operator Ø 13	8 G1/8"		
	W 3 mm					
	X 4 mm					
	Z 6 mm					

ACCESSORIES

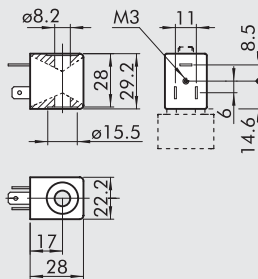
COIL, SIDE 30 mm - FOR PIV.B SOLENOID VALVES



- Voltage tolerance: -10 to +15%
- Insulation class: M180
- Degree of protection: IP65 – EN60529 with connector
- Avoid prolonged exposure to the atmospheric agents
- According to Atex 94/9 CE rule, group 2, category 3 GD

Code	Abbrev.	Nominal voltage	Absorption (average)
W0216001001	Coil 30 Ø13 10W-24VDC	24Vcc	10W
W0216001011	Coil 30 Ø13 13VA-24VAC	24V 50/60Hz	13VA
W0216001021	Coil 30 Ø13 13VA-110VAC	110V 50/60Hz	13VA
W0216001031	Coil 30 Ø13 13VA-220VAC	220V 50/60Hz	13VA

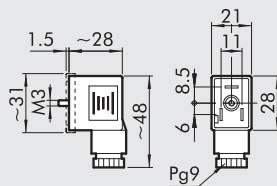
COIL, SIDE 22 mm - FOR PIV.I SOLENOID VALVES



- Voltage tolerance: -10 to +15%
- Insulation class: F155
- Degree of protection: IP65 – EN60529 with connector
- Avoid prolonged exposure to the atmospheric agents
- Maximum temperature of coil at 100% use: 70°C at 20° ambient temperature
- According to Atex 94/9 CE rule, group 2, category 3 GD

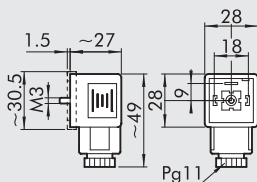
Code	Abbrev.	Nominal voltage	Absorption	
			Inrush	Holding
W0215000051	Coil 22 Ø8 5W-12VDC	12Vcc	5W	5W
W0215000001	Coil 22 Ø8 5W-24VDC	24Vcc	5W	5W
W0215000011	Coil 22 Ø8 5VA-24VAC	24V 50/60Hz	8VA	5VA
W0215000021	Coil 22 Ø8 5VA-110VAC	110V 50/60Hz	8VA	5VA
W0215000031	Coil 22 Ø8 5VA-220VAC	220V 50/60Hz	8VA	5VA

CONNECTOR, SIDE 22 mm



Code	Type	Colour	Ø Cable
W0970510011	Standard	Black	PG9
W0970510012	LED 24V	Transparent	PG9
W0970510013	LED 110V	Transparent	PG9
W0970510014	LED 220V	Transparent	PG9
W0970510015	LED + VDR 24V	Transparent	PG9
W0970510016	LED + VDR 110V	Transparent	PG9
W0970510017	LED + VDR 220V	Transparent	PG9
W0970510070	Atex II 2 GD	Black	PG9

CONNECTOR, SIDE 30 mm



Code	Type	Colour	Ø Cable
W0970520033	Standard	Black	PG11
W0970520034	LED 24V	Transparent	PG11
W0970520035	LED 110V	Transparent	PG11
W0970520036	LED 220V	Transparent	PG11
W0970520037	LED + VDR 24V	Transparent	PG11
W0970520038	LED + VDR 110V	Transparent	PG11
W0970520039	LED + VDR 220V	Transparent	PG11