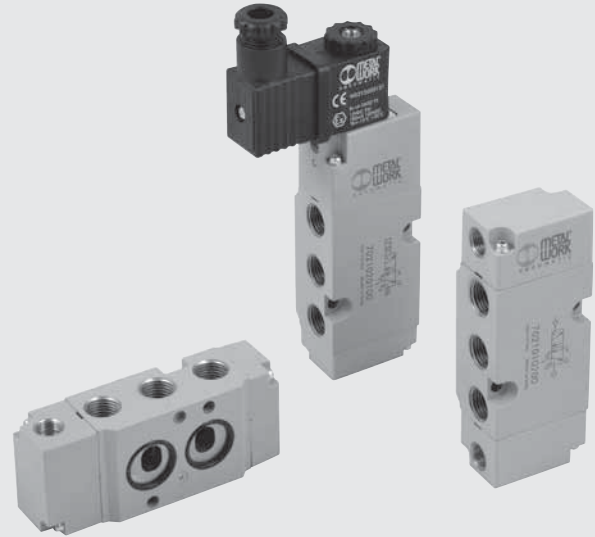


# VALVES NAMUR



## TECHNICAL DATA

Operating pressure:			
• monostable, electric	bar	2.5 to 10	
• bistable, electric	bar	1 to 10	
• pilot-assisted, electric	bar	Vacuum to 10	
Minimum actuation pressure:			
• monostable, pneumatic	bar	2.5	
• bistable, pneumatic	bar	1	
Operating temperature range			
	°C	-10 to +60	
Nominal diameter			
	mm	7.5	
Conductance C			
	Nl/min · bar	264.26	
Critical ratio b			
	bar/bar	0.27	
Flow rate at 6 bar ΔP 0.5 bar			
	Nl/min	750	
Flow rate at 6 bar ΔP 1 bar (0.1 Mpa - 14.5 psi)			
	Nl/min	1100	
Response time at 6 bar:			
• TRA/TRR monostable, pneumatic at 6 bar	ms	7 / 15	
• TRA/TRR bistable, pneumatic at 6 bar	ms	7 / 7	
• TRA/TRR monostable electric at 6 bar	ms	19 / 45	
• TRA/TRR bistable electric at 6 bar	ms	21 / 21	
Compatibility with oils			
		See chapter Z1	

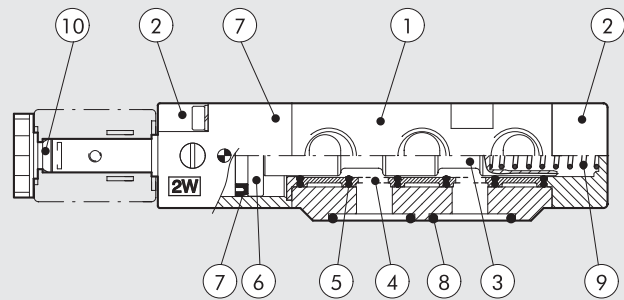


## SYNOPTIC, SIZES AND VERSIONS

P N V		A	5	P N		S	O O
FAMILY		DIMENSIONS	FUNCTION		OPERATORS 14	RESETTING (12)	FURTHER DETAILS
PNV	pneumatic	A NAMUR	5	5/2	PN	pneumatic	OO 5/2
SOV	electro-pneumatic		4	4/2	SO	solenoid	NC normally closed

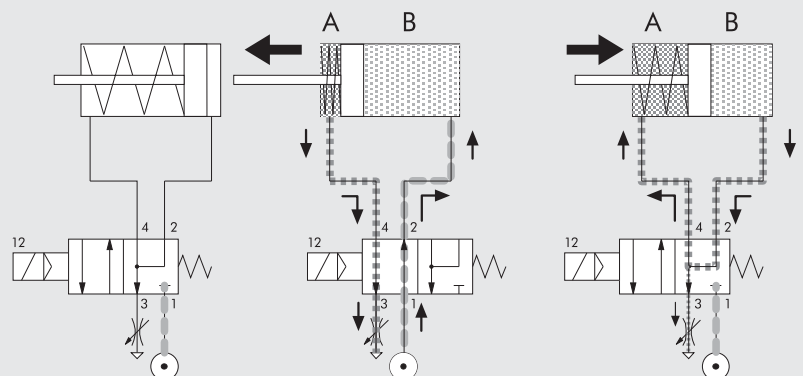
## COMPONENTS

- ① VALVE BODY: Aluminium
- ② CONTROL/BASE: Hostaform®
- ③ SPOOL: chemically nickel-plated aluminium
- ④ DISTANCE PLATES: plastic
- ⑤ GASKETS: NBR nitrile rubber
- ⑥ PISTONS: Hostaform®
- ⑦ PISTON GASKET: NBR nitrile rubber
- ⑧ INTERFACE GASKETS: NBR nitrile rubber
- ⑨ SPRINGS: special steel
- ⑩ OPERATOR: Brass pipe – Stainless steel core

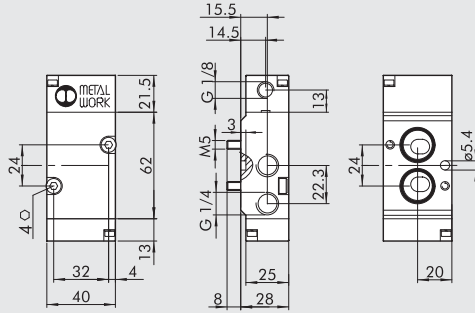


## FUNCTIONING DIAGRAM 4/2 NAMUR VALVE

During the piston retraction stage, the air for chamber A is taken from the air leaving chamber B. This prevents the dirty air from getting in from the outside environment.

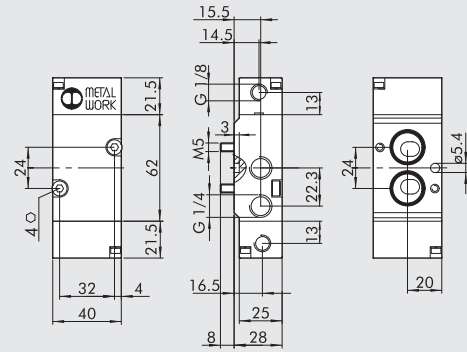


**MONOSTABLE, PNEUMATIC 4/2**



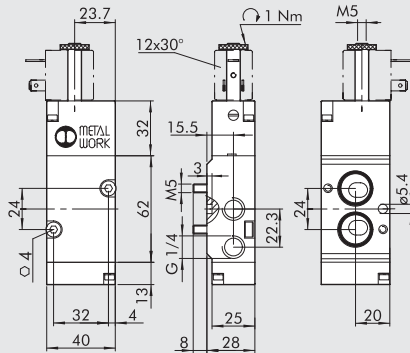
Symbol	Code	Abbrev.	Weight [g]
	7021010110	PNV A4 PNS NC	208

**BISTABLE, PNEUMATIC 4/2**



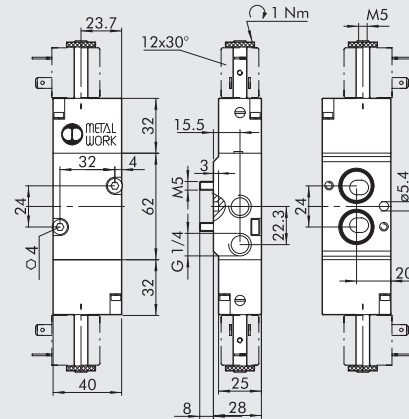
Symbol	Code	Abbrev.	Weight [g]
	7021010210	PNV A4 PNB OO	216

**MONOSTABLE, SOLENOID/PNEUMATIC 4/2**



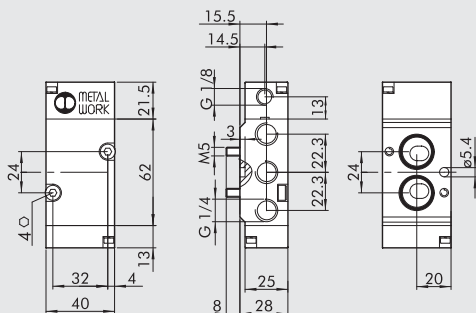
Symbol	Code	Abbrev.	Weight [g]
	7021020110	SOV A4 SOS NC	234

**BISTABLE, SOLENOID/PNEUMATIC 4/2**



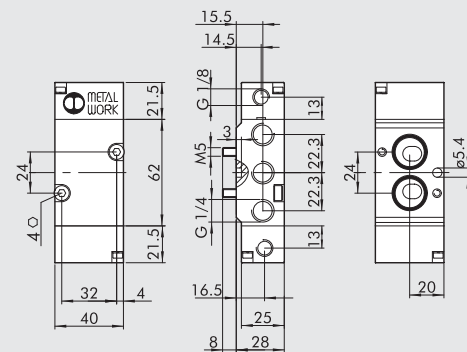
Symbol	Code	Abbrev.	Weight [g]
	7021020210	SOV A4 SOB OO	270

**MONOSTABLE, PNEUMATIC 5/2**



Symbol	Code	Abbrev.	Weight [g]
	7021010100	PNV A5 PNS OO	208

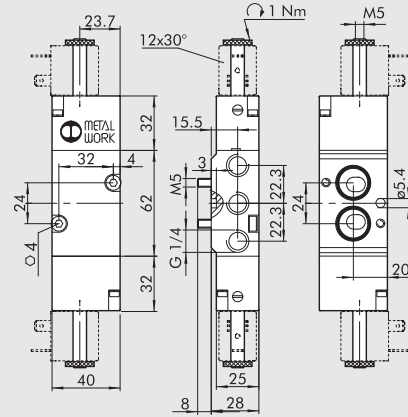
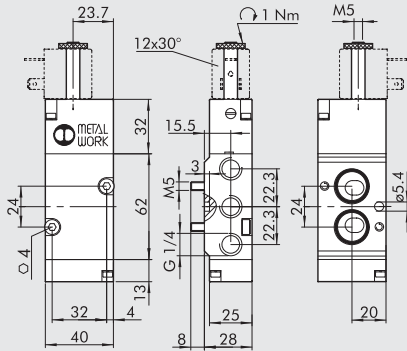
**BISTABLE, PNEUMATIC 5/2**



Symbol	Code	Abbrev.	Weight [g]
	7021010200	PNV A5 PNB OO	216

**MONOSTABLE, SOLENOID/PNEUMATIC 5/2**

**BISTABLE, SOLENOID/PNEUMATIC 5/2**



Symbol	Code	Abbrev.	Weight [g]
	7021020100	SOV A5 SOS OO	234

Symbol	Code	Abbrev.	Weight [g]
	7021020200	SOV A5 SOB OO	270

**ACCESSORIES FOR NAMUR VALVES SOV, SOLENOID/PNEUMATIC**

Refer to page B1.54 for coils and connectors



**NOTES**