

FR + LUB Newdeal

Heavy duty and reliable piston-operated FR + L unit.

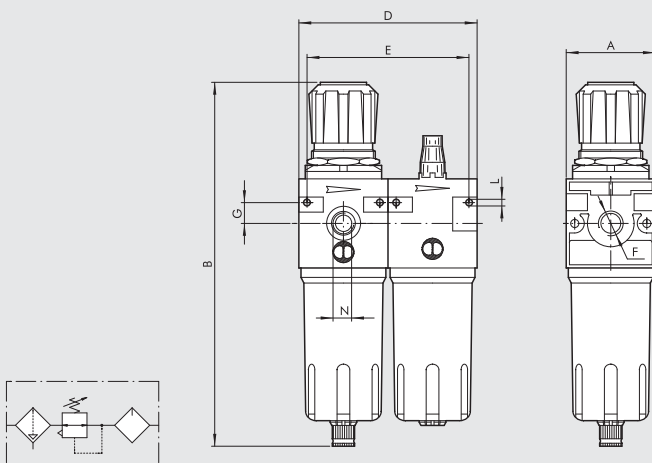
- Stability of the set pressure as the upstream pressure varies
- Metal bowl with external sight glass
- Semi-automatic and automatic condensate drain
- Quantity of lubricant proportioned to air flow
- Micrometric lubrication regulation
- Activation guaranteed with low flow rates

Refer to the sections on the single modules for a further description, components and other technical data.



TECHNICAL DATA		FR + L ND 1/4"	FR + L ND 3/8"	FR + L ND 1/2"
Threaded port		1/4"	3/8"	1/2"
Setting range	bar	0 to 8 - 0 to 12		0 to 8 - 0 to 12
Degree of filtration	μm	4 - 20 - 50		4 - 20 - 50
Max. inlet pressure	MPa	1.8		1.8
	bar	18		18
	psi	261		261
Flow rate at 6.3 bar (0.63 MPa to 91 psi) ΔP 0.5 bar (0.05 MPa to 7 psi)	Nl/min	150		1300
	scfm	5.3		46
Flow rate at 6.3 bar (0.63 MPa to 91 psi) ΔP 1 bar (0.1 MPa to 14 psi)	Nl/min	500		2200
	scfm	18		78
Max temperature at 1 MPa; 10 bar; 145 psi	°C	50		50
	°F	122		122
Weight	kg	0.9		2
Wall fixing screws		M4 x 40		M4 x 55
Fluid				Compressed air
Note on use		The maximum inlet pressure for the version with RA automatic condensate drainage must not exceed 10 bar. Do not take air from pressure gauge ports.		

DIMENSIONS



	FR + L ND 1/4"	FR + L ND 3/8"	FR + L ND 1/2"
Threaded port F	1/4"	3/8"	1/2"
A	42		60
B	RMSA 190		245
	RA -		249
	SAC 194		249
D	84		120
E	76		109
G	10		14
L	M4 hole		M4 hole
N (pressure gauge port)	1/8"		1/8"

SYNOPTIC, SIZES AND VERSIONS

FR + L ELEMENT	1/4 THREADED PORT	4 DEGREE OF FILTERING	08 SETTING RANGE	RMSA CONDENSATE DRAIN
FR + L	1/4 <hr/> 3/8 1/2	4 = 4 µm 20 = 20 µm 50 = 50 µm	08 = 0 to 8 bar 012 = 0 to 12 bar	RMSA SAC <hr/> RMSA SAC RA*

RMSA: drain with manual condensate discharge and automatic discharge at zero pressure.

RA: automatic drain with condensate discharge, independent of pressure and flow rate.

SAC: automatic drain with condensate discharge.

Operates by depression – requires variable air take-offs.

* For ND 3/8 and 1/2 with RA, please contact our sales assistance department.

ORDERING CODES

Code	Description	Code	Description
FR + L 1/4"		FR + L 3/8"	
1226029	FR+L 1/4 4 08 RMSA	1326029	FR+L 3/8 4 08 RMSA
1226409	FR+L 1/4 4 08 SAC	1326409	FR+L 3/8 4 08 SAC
1226053	FR+L 1/4 4 012 RMSA	1326053	FR+L 3/8 4 012 RMSA
1226413	FR+L 1/4 4 012 SAC	1326413	FR+L 3/8 4 012 SAC
1226030	FR+L 1/4 20 08 RMSA	1326030	FR+L 3/8 20 08 RMSA
1226410	FR+L 1/4 20 08 SAC	1326034	FR+L 3/8 20 08 RA
1226054	FR+L 1/4 20 012 RMSA	1326410	FR+L 3/8 20 08 SAC
1226414	FR+L 1/4 20 012 SAC	1326054	FR+L 3/8 20 012 RMSA
1226032	FR+L 1/4 50 08 RMSA	1326058	FR+L 3/8 20 012 RA
1226412	FR+L 1/4 50 08 SAC	1326414	FR+L 3/8 20 012 SAC
1226056	FR+L 1/4 50 012 RMSA	1326032	FR+L 3/8 50 08 RMSA
1226416	FR+L 1/4 50 012 SAC	1326412	FR+L 3/8 50 08 SAC
		1326056	FR+L 3/8 50 012 RMSA
		1326416	FR+L 3/8 50 012 SAC
		FR + L 1/2"	
		1426029	FR+L 1/2 4 08 RMSA
		1426409	FR+L 1/2 4 08 SAC
		1426053	FR+L 1/2 4 012 RMSA
		1426413	FR+L 1/2 4 012 SAC
		1426030	FR+L 1/2 20 08 RMSA
		1426034	FR+L 1/2 20 08 RA
		1426410	FR+L 1/2 20 08 SAC
		1426054	FR+L 1/2 20 012 RMSA
		1426058	FR+L 1/2 20 012 RA
		1426414	FR+L 1/2 20 012 SAC
		1426032	FR+L 1/2 50 08 RMSA
		1426412	FR+L 1/2 50 08 SAC
		1426056	FR+L 1/2 50 012 RMSA
		1426416	FR+L 1/2 50 012 SAC

UNITS

FR + LUB New deal