

## Applications

- One touch type pipe connection tool for air pressure piping.
- Various uses depending on the user's environment.

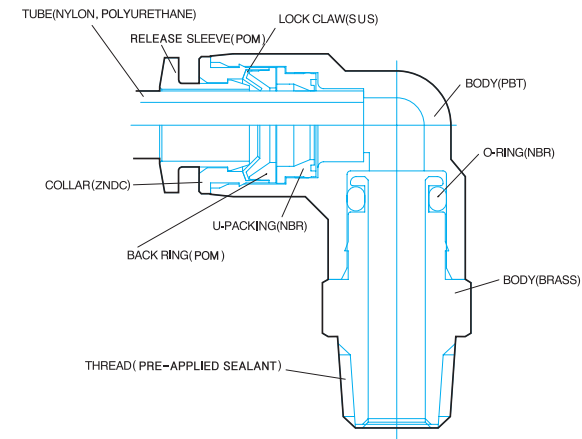
## Features

- One action inserts the tube to release and connect easily.
- The PC type has interior and exterior hexagonal shapes for efficient piping in limited spaces.
- The main body of the PL and PT types is a rotating structure for efficient piping.
- The screw section has O-ring, or Teflon coated.

## Specifications

- Fluid type : Air (No other gases or liquids)
- Working pressure : 0~150PSI / 0~9.9Kgf/cm<sup>2</sup> (0~990kPa)
- Negative pressure : -29.5 in Hg / -750mmHg (-750Torr)
- Working temperature : 32~140° F / 0~60° C
- Applicable Tube : Polyurethane and Nylon

## Structural Diagram



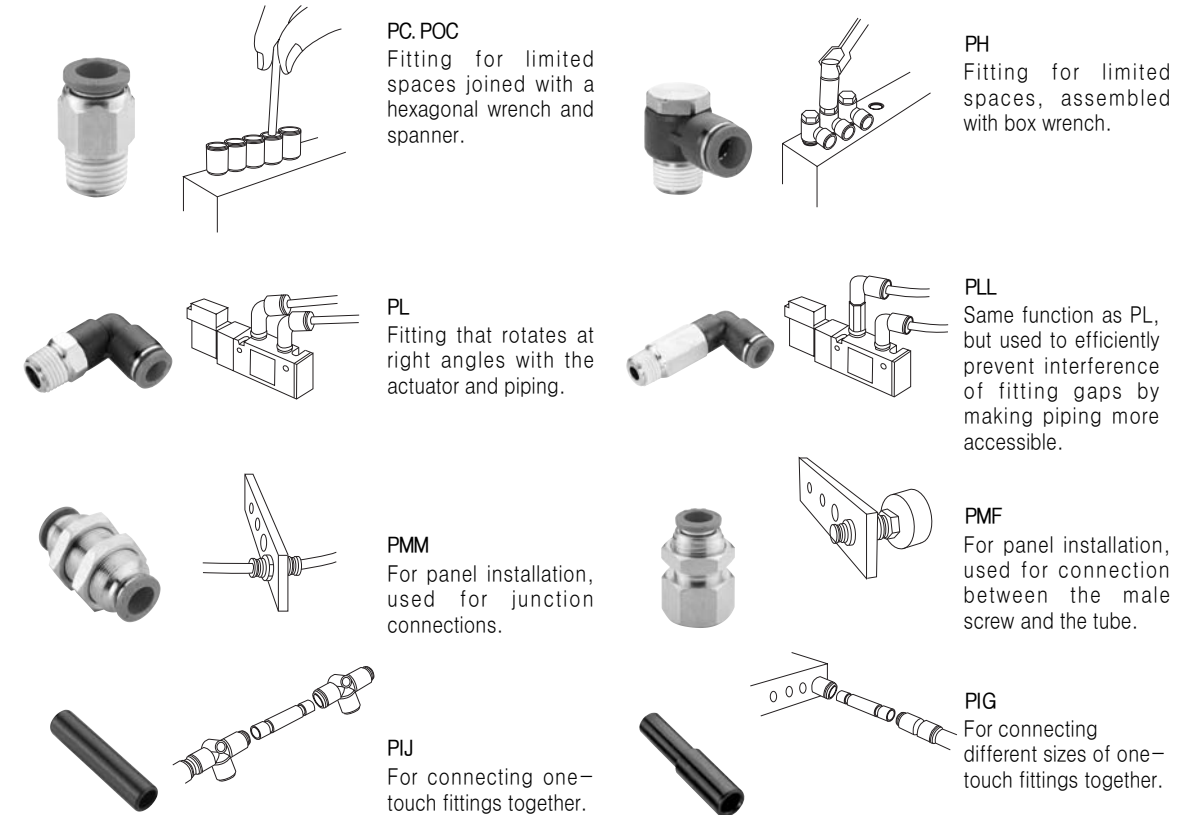
## Conversion

kgf/cm <sup>2</sup>	bar	Pa(N/m <sup>2</sup> )	atm	mHg	lbf/in <sup>2</sup>
1	0.980665	0.980665E5	0.9678	0.7356	14.22
1.0197	1	1E-5	0.9869	0.7501	14.50
1.0197E-5	1E-5	1	0.9869E-5	7.501E-6	1.450E-4
1.0332	1.0325	1.0325E5	1	0.760	14.70
1.3595	1.3332	1.3332E5	1.3158	1	19.34
0.07031	0.06895	6.895E3	0.06805	0.05171	1

## Applied example

- The interior and exterior hexagonal part can be assembled using a spanner and hexagonal wrench in screw joining.
- The injection body of the PL and PT models rotates to allow direction changes according to piping direction.
- The sleeve is circular so that it is free of equipment setting.

## Form



## Product Code System

### METRIC - BSPT(R)

**PC 06-01-N**

OneTouch Fitting	Tube Dia		Thread Size		Plating	Sleeve Color
	CODE	SIZE	METRIC THREAD			
	04	Ø4	M5	M5×0.8	Nickel	Blue
	06	Ø6	M6	M6×1.0		
	08	Ø8	R(PT) THREAD			
	10	Ø10				
	12	Ø12	01	R1/8		
	16	Ø16	02	R1/4		
			03	R3/8		
			04	R1/2		

### METRIC - BSPP(G)

**PC 06-G01**

OneTouch Fitting	Tube Dia		Thread Size		Sleeve Color
	CODE	SIZE	METRIC THREAD		
	04	Ø4	M5	M5×0.8	Blue
	06	Ø6	M6	M6×1.0	
	08	Ø8	G(PF) THREAD		
	10	Ø10			
	12	Ø12	G01	G1/8	
	16	Ø16	G02	G1/4	
			G03	G3/8	
			G04	G1/2	

### INCH - BSPT(R)

**PC-1/4-01**

OneTouch Fitting	Tube Dia		Thread Size	
	CODE	SIZE	R(PT) THREAD	
	5/32	Ø5/32	01	R1/8
	3/16	Ø3/16	02	R1/4
	1/4	Ø1/4	03	R3/8
	5/16	Ø5/16	04	R1/2
	3/8	Ø3/8		
	1/2	Ø1/2		

### INCH - NPT

**PC-1/4-N1**

OneTouch Fitting	Tube Dia		Thread Size	
	CODE	SIZE	UNF THREAD	
	5/32	Ø5/32	U	10-32UNF
	3/16	Ø3/16	NPT THREAD	
	1/4	Ø1/4	N1	NPT1/8
	5/16	Ø5/16	N2	NPT1/4
	3/8	Ø3/8	N3	NPT3/8
	1/2	Ø1/2	N4	NPT1/2

## CAUTION

- Be sure to refer to the Safety Caution, Classification of Warning Indications (P7), and Common Caution of Fitting Products (P8) before use.
- Assemble the fitting according to the proper connection torque value (P7).
- Proper torque refers to connection by hand and 2~3 rotations using a tool. Excessive pressure may damage the screw.
- To insert the tube into the fitting, cut the tube at a right angle, insert it fully to the end, and pull the tube gently to make sure it isn't released.
- Avoid piping under tension, and also avoid high curvature piping at the tube insertion section of the fitting.

## WARNING

- Be sure to prevent pressure buildup due to twisting, pulling, and bending of the fitting product. This may cause product damage or air leakage.
- When the applied fluid is water, do not use the product if it does not meet all specifications. Fitting damage, tube release, and compressed air leakage may occur.

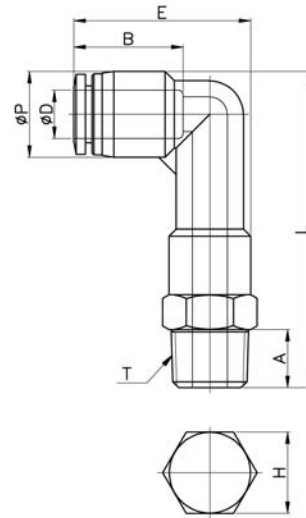
# One -Touch Fittings

# PLL P



## METRIC-BSPT(R)

MODEL	ØD	ØP	T	L	E	A	B	H(Hex)	ORFICE	WEIGHT(g)	BOX(EA)
PLL P04-M5	4	105	M5×0.8p	37.8	23.7	4.0	15.0	10	2.5	5.6	50
PLL P04-M6			M6×1.0p	37.9		4.1		10	3.0	8.0	50
PLL P04-01			R1/8	41.8		8.0		3.0	9.9	50	
PLL P04-02			R1/4	43.8		10.0		3.0	14.9	50	
PLL P04-03			R3/8	44.8		11.0		3.0	23.7	50	
PLL P06-M5	6	125	M5×0.8p	42.8	26.4	4.0	16.5	12	2.5	7.1	50
PLL P06-M6			M6×1.0p	42.9		4.1		12	3.0	11.8	50
PLL P06-01			R1/8	46.8		8.0		4.0	13.8	50	
PLL P06-02			R1/4	49.8		10.0		4.0	18.9	50	
PLL P06-03			R3/8	50.8		11.0		4.0	26.1	50	
PLL P06-04	R1/2	53.8	14.0	4.0	40.3	25					
PLL P08-01	8	148	R1/8	51.4	30.4	8.0	18.8	14	6.0	18.0	50
PLL P08-02			R1/4	54.4		10.0		6.0	20.9	50	
PLL P08-03			R3/8	55.4		11.0		6.0	27.7	25	
PLL P08-04			R1/2	58.4		14.0		6.0	42.7	25	
PLL P10-01			R1/8	56.3		8.0		17	6.0	27.7	25
PLL P10-02	10	175	R1/4	59.3	33.1	10.0	20.1	17	8.0	29.6	25
PLL P10-03			R3/8	60.3		11.0		8.0	31.7	25	
PLL P10-04			R1/2	63.3		14.0		8.0	50.5	25	
PLL P12-01			R1/8	64.7		8.0		19	6.0	42.1	25
PLL P12-02	12	205	R1/4	66.7	38.2	10.0	22.9	19	9.0	38.3	25
PLL P12-03			R3/8	67.7		11.0		10.0	42.0	25	
PLL P12-04			R1/2	70.7		14.0		10.0	51.4	25	



## METRIC-BSPP(G)

MODEL	ØD	ØP	T	L	E	A	B	H(Hex)	ORFICE	WEIGHT(g)	BOX(EA)
PLL P04-G01	4	105	G 1/8	38.8	23.7	5.0	15.0	14	3.0	12.9	50
PLL P04-G02			G 1/4	40.8		6.5		17	3.0	16.9	50
PLL P04-G03			G 3/8	40.3		6.5		20	3.0	19.7	50
PLL P06-G01	6	125	G 1/8	43.8	26.4	5.0	16.5	14	4.0	15.8	50
PLL P06-G02			G 1/4	45.8		6.5		17	4.0	17.9	50
PLL P06-G03			G 3/8	45.3		6.5		20	4.0	24.1	50
PLL P08-G01	8	148	G 1/8	48.4	30.4	5.0	18.8	14	6.0	16.0	50
PLL P08-G02			G 1/4	50.4		6.5		17	6.0	19.9	50
PLL P08-G03			G 3/8	19.9		6.5		20	6.0	25.7	25
PLL P08-G04			G 1/2	51.4		8.0		24	6.0	36.7	25
PLL P10-G01	10	175	G 1/8	53.3	33.1	5.0	20.1	17	6.0	24.7	25
PLL P10-G02			G 1/4	55.3		6.5		17	8.0	25.6	25
PLL P10-G03			G 3/8	54.8		6.5		20	8.0	29.7	25
PLL P10-G04			G 1/2	56.3		8.0		24	8.0	44.5	25
PLL P12-G02	12	205	G 1/4	62.7	38.2	6.5	22.9	19	8.0	34.3	25
PLL P12-G03			G 3/8	62.2		6.5		20	10.0	37.0	25
PLL P12-G04			G 1/2	63.7		8.0		24	10.0	44.4	25

