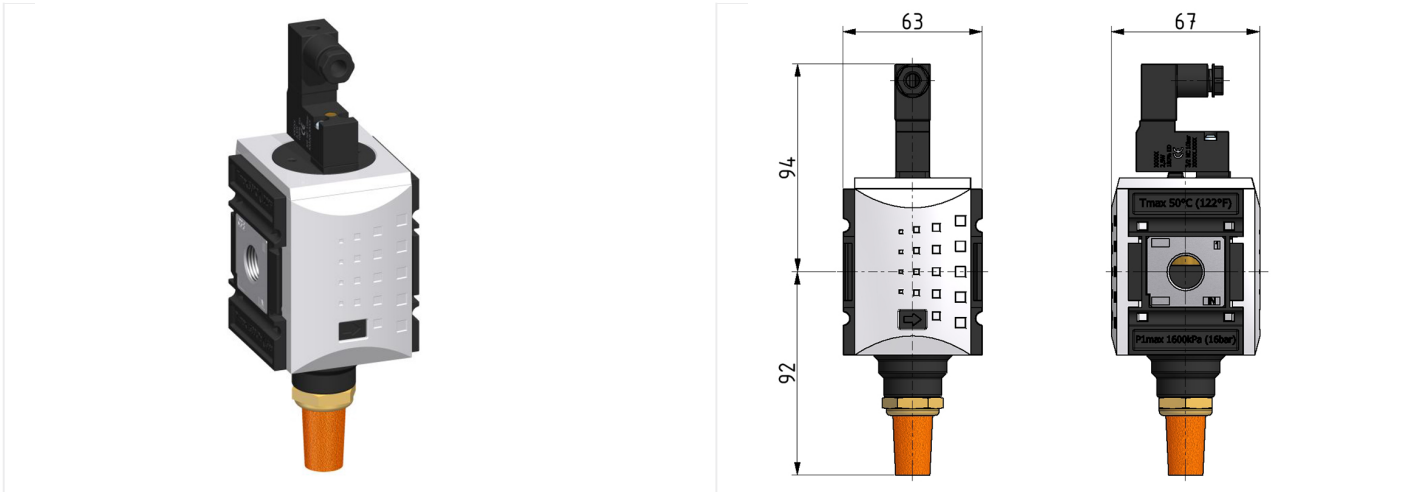


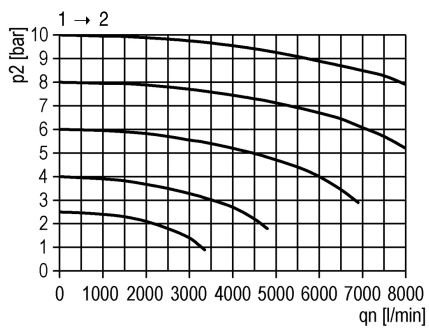
System extensions of the Futura series

3/2 Directional control valve G1/2 electric operated 24V=

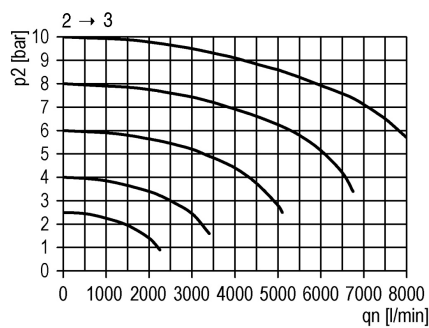


type	part-number	series	port size	flow rate	weight
KSOV-212/24	94012.EE02	Futura	G 1/2	4500 l/min	0.586 kg

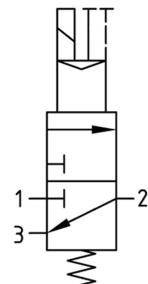
flow characteristic



rear exhaust



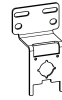
symbol



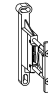
technical data

- **description:** 3/2 poppet valve
- **medium:** compressed air, neutral gases
- **supply pressure P1 min.:** 2 bar
- **supply pressure P1 max.:** 10 bar
- **temperature range:** -10°C - +50°C
- **input signal:** 24V=
- **exhaust:** G 1/2
- **relative switch on duration:** 100%
- **capacity:** 2,5 W
- **protection class:** IP 65 according to DIN 40050
- **electrical connection:** socket coupling EN 175301-803, form C / ISO 15217 poles 2+PE (included in scope of delivery)

accessories



- mounting bracket:
[KBW 2-1225](#)



- coupling kit wall mounting:
[KKOP.2W](#)