

# Filter regulator | BGO



Image shows:  
92100.CC00

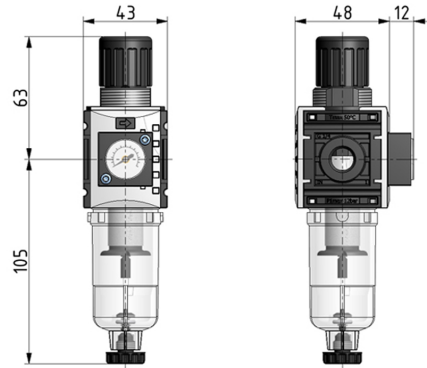
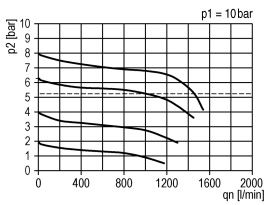
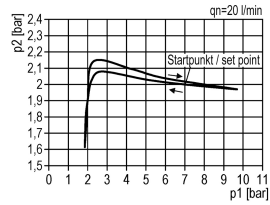


Image shows:  
92100.CC00

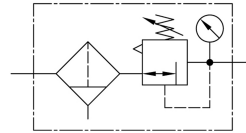
## flow characteristic



## pressure characteristic



## symbol



## technical data

- **description:** sinter filter centrifugal principle, diaphragm-type pressure with relieving feature
- **medium:** compressed air, neutral gases
- **supply pressure P1 min.:** 1,5 bar
- **supply pressure P1 max.:** 12 bar
- **temperature range:** 0 - 50°C
- **bowl:** PC
- **drain:** HA
- **mounting:** vertical
- **filter element:** 5 µm

## accessories



- **mounting bracket:**  
[KBW.0-1225](#)



- **coupling kit wall mounting:**  
[KKOP.0W](#)



- **control panel mounting:**  
[KBW.0-1227](#) + C.00-34

- **adapter for pressure gauge:**  
KKPS.0-54

type	part-number	description
KFRG-014/8 G	92100.CC00	Filter regulator G1/4 0,5-8 5µm with PC bowl, semi automatic drain and integrated gauge
KFRG-014/8 AM G	92100.CC01	Filter regulator G1/4 0,5-8 5µm with PC bowl, automatic drain and integrated gauge
KFRG-014/8 M G	92100.CC50	Filter regulator G1/4 0,5-8 5µm with metal bowl, semi automatic drain and integrated gauge
KFRG-014/8 M AMG	92100.CC51	Filter regulator G1/4 0,5-8 5µm with metal bowl, automatic drain and integrated gauge

Service 3 unit

Service 2 unit

Filter regulator

Filter

Pressure regulator

Lubricator

System extensions

Accessories

Special products

# Filter regulator | BG1



Image shows:  
92101.CC00

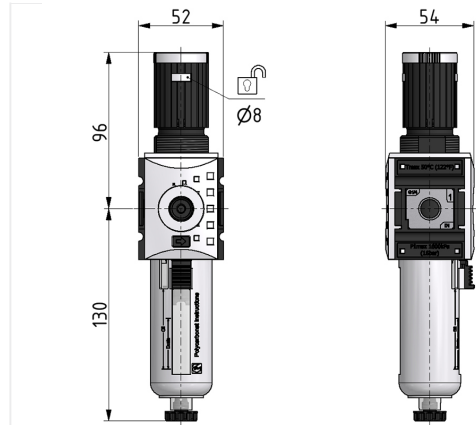
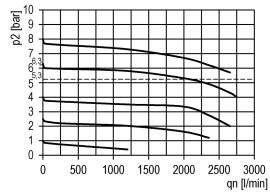
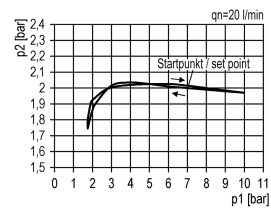


Image shows:  
92101.CC00

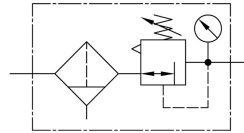
## flow characteristic



## pressure characteristic



## symbol



## technical data

- **description:** sinter filter centrifugal principle, diaphragm-type pressure with relieving feature
- **medium:** compressed air, neutral gases
- **supply pressure P1 min.:** 1,5 bar
- **supply pressure P1 max.:** 16 bar
- **temperature range:** 0 - 50°C
- **bowl:** PC with PA bowl guard
- **drain:** HA
- **locking:** lockable setting knob
- **mounting:** vertical
- **filter element:** 5 µm

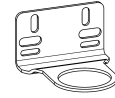
## accessories



- **mounting bracket:**  
[KBW.1-1225](#)



- **coupling kit wall mounting:**  
[KKOP.1W](#)



- **control panel mounting:**  
[KBW.1-1227](#) + SM.1

- **rotary lock:** VH.31 without key or VH.32 with key

Service 3 unit

Service 2 unit

Filter regulator

Filter

Pressure regulator

Lubricator

System extensions

Accessories

Special products

Service 3 unit

Service 2 unit

Filter regulator

Filter

Pressure regulator

Lubricator

System extensions

Accessories

Special products

type	part-number	description
KFRG-114/8	92101.CC00	Filter regulator G1/4 0,5-8 5µm with PC bowl, bowl guard and semi automatic drain
KFRG-114/8 AM	92101.CC01	Filter regulator G1/4 0,5-8 5µm with PC bowl, bowl guard and automatic drain
KFRG-114/8 H	92101.CC50	Filter regulator G1/4 0,5-8 5µm with metal bowl and semi automatic drain
KFRG-114/8 H AM	92101.CC51	Filter regulator G1/4 0,5-8 5µm with metal bowl and automatic drain
KFRG-138/8	92101.DD00	Filter regulator G3/8 0,5-8 5µm with PC bowl, bowl guard and semi automatic drain
KFRG-138/8 AM	92101.DD01	Filter regulator G3/8 0,5-8 5µm with PC bowl, bowl guard and automatic drain
KFRG-138/8 H	92101.DD50	Filter regulator G3/8 0,5-8 5µm with metal bowl and semi automatic drain
KFRG-138/8 H AM	92101.DD51	Filter regulator G3/8 0,5-8 5µm with metal bowl and automatic drain

# Filter regulator | BG2



Image shows:  
92102.DD00

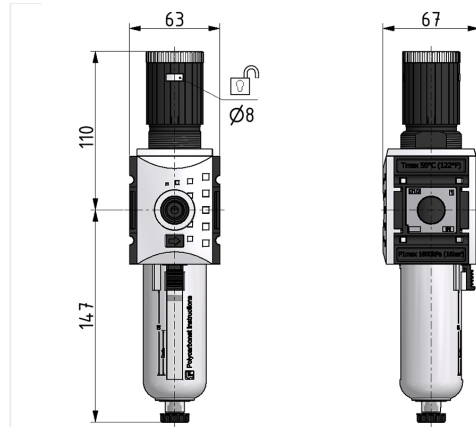
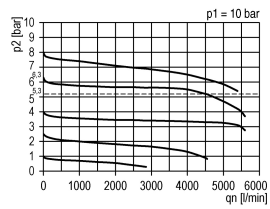
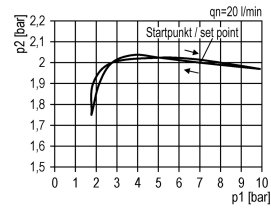


Image shows:  
92102.DD00

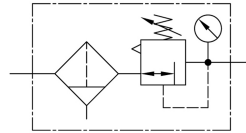
## flow characteristic



## pressure characteristic



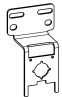
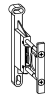

## symbol



## technical data

- **description:** sinter filter centrifugal principle, diaphragm-type pressure with relieving feature
- **medium:** compressed air, neutral gases
- **supply pressure P1 min.:** 1,5 bar
- **supply pressure P1 max.:** 16 bar
- **temperature range:** 0 - 50°C
- **body:** PC with PA bowl guard
- **drain:** HA
- **locking:** lockable setting knob
- **mounting:** vertical
- **filter element:** 5 µm

## accessories

- |   |  |  |
|---|--|--|
|  <ul style="list-style-type: none"> <li>• <b>mounting bracket:</b><br/><a href="#">KBW.2-1225</a></li> </ul> |  <ul style="list-style-type: none"> <li>• <b>coupling kit wall mounting:</b><br/><a href="#">KKOP.2W</a></li> </ul> |  <ul style="list-style-type: none"> <li>• <b>control panel mounting:</b><br/><a href="#">KBW.2-1227</a> + SM.2</li> </ul> |
| <ul style="list-style-type: none"> <li>• <b>rotary lock:</b> VH.31 without key or VH.32 with key</li> </ul>   |  |  |

Service 3 unit

Service 2 unit

Filter regulator

Filter

Pressure regulator

Lubricator

System extensions

Accessories

Special products

type	part-number	description
KFRG-238/8	92102.DD00	Filter regulator G3/8 0,5-8 5µm with PC bowl, bowl guard and semi automatic drain
KFRG-238/8 AM	92102.DD01	Filter regulator G3/8 0,5-8 5µm with PC bowl, bowl guard and automatic drain
KFRG-238/8 H	92102.DD50	Filter regulator G3/8 0,5-8 5µm with metal bowl and semi automatic drain
KFRG-238/8 H AM	92102.DD51	Filter regulator G3/8 0,5-8 5µm with metal bowl and automatic drain
KFRG-212/8	92102.EE00	Filter regulator G1/2 0,5-8 5µm with PC bowl, bowl guard and semi automatic drain
KFRG-212/8 AM	92102.EE01	Filter regulator G1/2 0,5-8 5µm with PC bowl, bowl guard and automatic drain
KFRG-212/8 H	92102.EE50	Filter regulator G1/2 0,5-8 5µm with metal bowl and semi automatic drain
KFRG-212/8 H AM	92102.EE51	Filter regulator G1/2 0,5-8 5µm with metal bowl and automatic drain

# Filter regulator | BG4



Image shows:  
92104.FF00

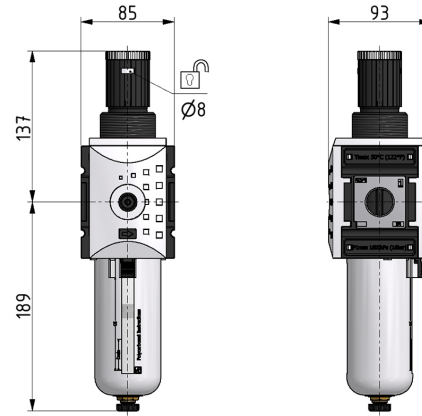
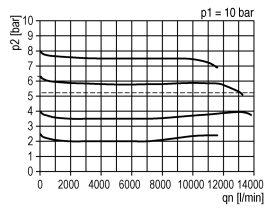
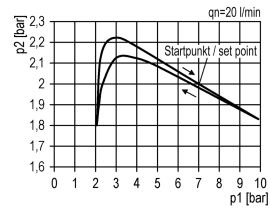


Image shows:  
92104.FF00

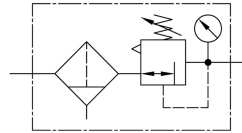
## flow characteristic



## pressure characteristic



## symbol



## technical data

- **description:** sinter filter centrifugal principle, pilot controlled diaphragm-type pressure with relieving feature
- **medium:** compressed air, neutral gases
- **supply pressure P1 min.:** 1,5 bar
- **supply pressure P1 max.:** 16 bar
- **temperature range:** 0 - 50°C
- **bowl:** PC with PA bowl guard
- **drain:** HA
- **locking:** lockable setting knob
- **mounting:** vertical
- **filter element:** 5 µm
- **air consumption:** max. 1,5 l/min

## accessories



- **mounting bracket:**  
[KBW.4-1225](#)



- **coupling kit wall mounting:**  
[KKOP.4W](#)

- **control panel mounting:**  
control panel nut C.33-42

- **rotary lock:** VH.31 without key or VH.32 with key

Service 3 unit

Service 2 unit

Filter regulator

Filter

Pressure regulator

Lubricator

System extensions

Accessories

Special products

Service 3 unit

Service 2 unit

Filter regulator

Filter

Pressure regulator

Lubricator

System extensions

Accessories

Special products

type	part-number	description
KFRG-434/8	92104.FF00	Filter regulator G3/4 0,5-8 5µm with PC bowl, bowl guard and semi automatic drain
KFRG-434/8 AM	92104.FF01	Filter regulator G3/4 0,5-8 5µm with PC bowl, bowl guard and automatic drain
KFRG-434/8 H	92104.FF50	Filter regulator G3/4 0,5-8 5µm with metal bowl and semi automatic drain
KFRG-434/8 H AM	92104.FF51	Filter regulator G3/4 0,5-8 5µm with metal bowl and automatic drain
KFRG-41/8	92104.GG00	Filter regulator G1 0,5-8 5µm with PC bowl, bowl guard and semi automatic drain
KFRG-41/8 AM	92104.GG01	Filter regulator G1 0,5-8 5µm with PC bowl, bowl guard and automatic drain
KFRG-41/8 H	92104.GG50	Filter regulator G1 0,5-8 5µm with metal bowl and semi automatic drain
KFRG-41/8 H AM	92104.GG51	Filter regulator G1 0,5-8 5µm with metal bowl and automatic drain