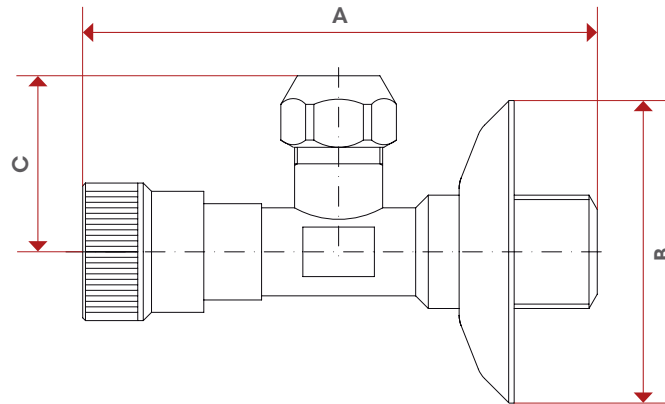


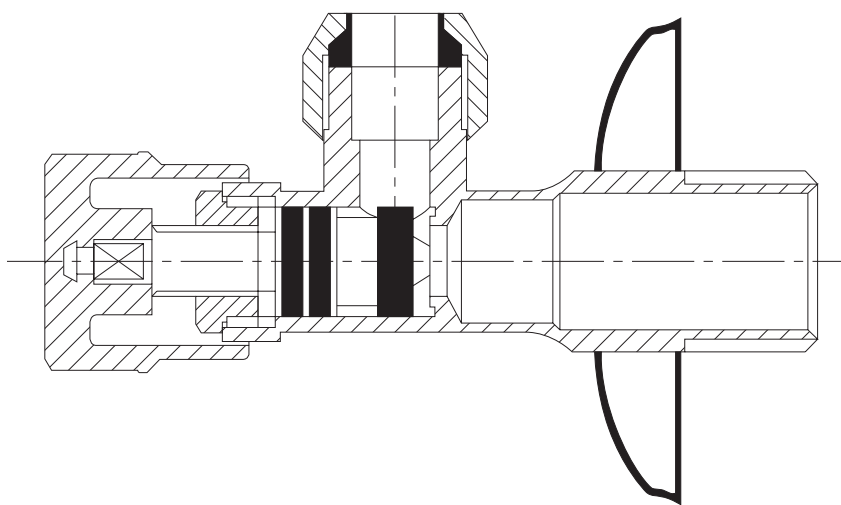
# 348



TEC



	<b>1/2"</b>
A	90
B	55
C	31
Kg/cm <sup>2</sup> bar	8
LBS - psi	116



Pos.	DESCRIZIONE / DESCRIPTION	Qt.	MATERIALE / MATERIAL
-	Corpo / Body	-	Ottone cromato / Chrome-plated brass CW617N Ottone cromato / Chrome-plated brass CW614N
-	Guarnizioni / Washers	-	NBR
-	Anello di tenuta / Ring	-	P.T.F.E.
-	Maniglia / Handle	-	ABS
-	Rosone / Cover plate	-	Acciaio inox / Stainless steel AISI 430



# DECLARATION OF CONFORMITY

(According to EN ISO/IEC 17050-1)

The ITAP S.p.A. manufacturer of valves, fittings, manifolds and accessories for thermo-sanitary plants, with head office in via Ruca 19/21 – 25065 Lumezzane S.S. (BS) Italy.

## DECLARES

Under its sole responsibility that the build-in valves and supply stops have been built according to industry standards and conform to their technical specifications, respecting the Company Quality System complies with UNI EN ISO 9001.

Lumezzane 19 November 2013

Industrial Manager.

  
ITAP S.p.A.  
IL CONSIGLIERE DELEGATO  
EZIO PATTI

DECLARATION OF CONFORMITY