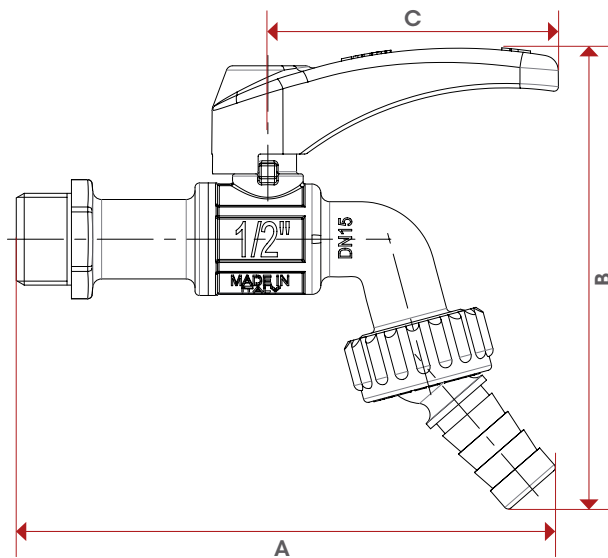


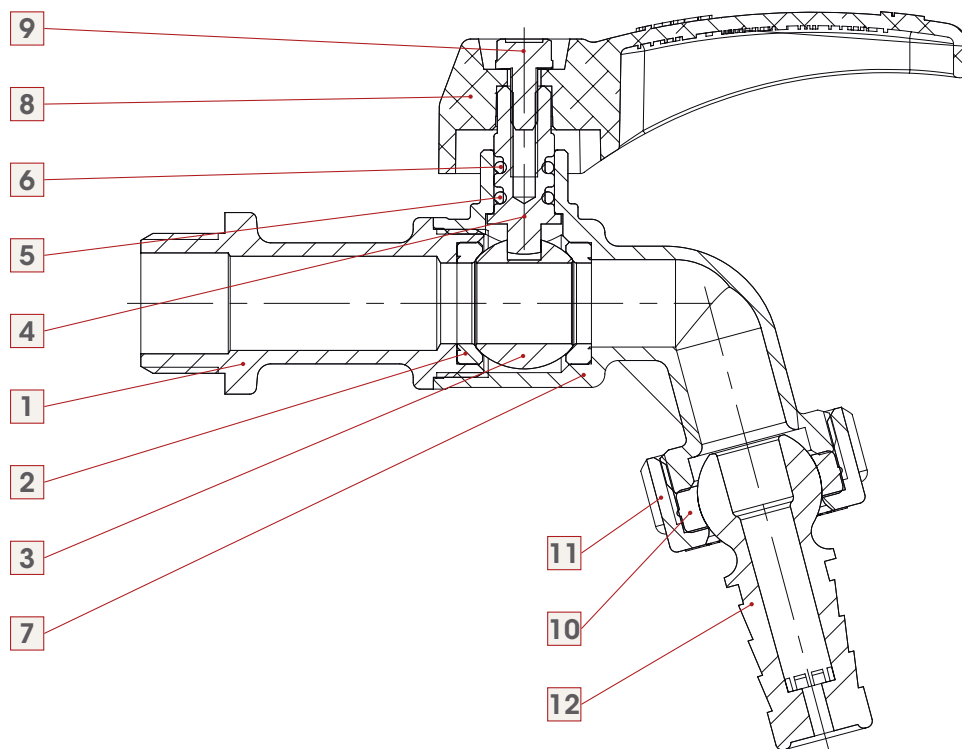
131



TEC



	1/2"
DN	15
A	122
B	103
C	66
Kg/cm ² bar	15
LBS - psi	217,5



Pos.	DESCRIZIONE / DESCRIPTION	Qt.	MATERIALE / MATERIAL
1	Manicotto / End adapter	1	Ottone nichelato / Nickel-plated brass CW617N
2	Sede / Seat	2	P.T.F.E.
3	Sfera / Ball	1	Ottone cromato / Chrome-plated brass CW614N
4	Asta di manovra / Stem	1	Ottone / Brass CW614N
5	Guarnizione / O-Ring	1	NBR
6	Guarnizione / O-Ring	1	VITON®
7	Corpo / Body	1	Ottone nichelato / Nickel-plated brass CW617N
8	Maniglia a leva / Lever handle	1	Alluminio / Aluminium
9	Vite / Screw	1	Acciaio zincato / Zinc-plated steel Fe CB4
10	Guarnizione / Washer	1	NBR
11	Girello / Nut	1	Nylon
12	Codolo / Hose connection	1	Nylon



DECLARATION OF CONFORMITY

(According to EN ISO/IEC 17050-1)

The ITAP S.p.A. manufacturer of valves, fittings, manifolds and accessories for thermo-sanitary plants, with head office in via Ruca 19/21 – 25065 Lumezzane S.S. (BS) Italy.

DECLARES

Under its sole responsibility that the SPIN® hose bibcock with mobile connection has been built according to industry standards and conform to their technical specifications, respecting the Company Quality System complies with UNI EN ISO 9001.

Lumezzane 19 November 2013

Industrial Manager.


ITAP S.p.A.
IL CONSIGLIERE DELEGATO
EZIO PATTI

DECLARATION OF CONFORMITY