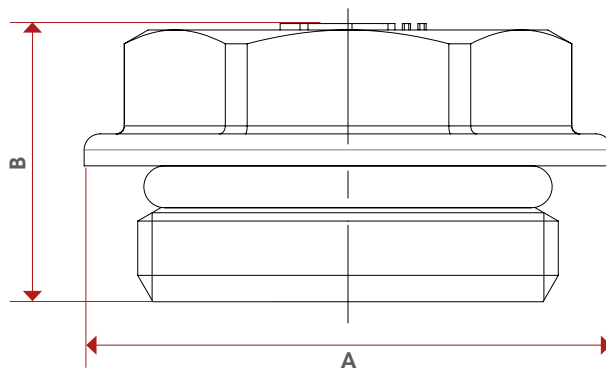
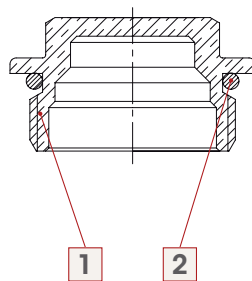


494



	3/8"	1/2"	3/4"	1"	1 1/4"
A	24	29	33	39,5	48
B	15,5	16,5	17	21,5	22,5
Kg/cm ² bar	10	10	10	10	10
LBS - psi	145	145	145	145	145



Pos.	DESCRIZIONE / DESCRIPTION	Qt.	MATERIALE / MATERIAL
1	Tappo / Cap	1	Ottone nichelato / Nickel-plated brass CW617N
2	Guarnizione / O-ring	1	EPDM



DECLARATION OF CONFORMITY

(According to EN ISO/IEC 17050-1)

The ITAP S.p.A. manufacturer of valves, fittings, manifolds and accessories for thermo-sanitary plants, with head office in via Ruca 19/21 – 25065 Lumezzane S.S. (BS) Italy.

DECLARES

Under its sole responsibility that the adapters have been built according to industry standards and conforms to their technical specifications, respecting the Company Quality System complies with UNI EN ISO 9001.

Lumezzane 19 November 2013

Industrial Manager.


ITAP S.p.A.
IL CONSIGLIERE DELEGATO
EZIO PATTI

DECLARATION OF CONFORMITY