



TECHNICAL CATALOGUE

STAINLESS STEEL MANIFOLDS

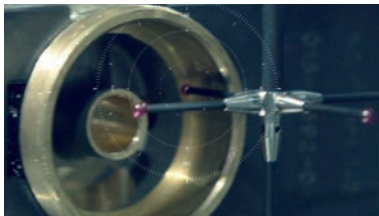
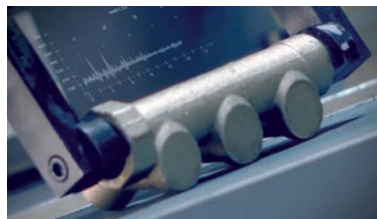
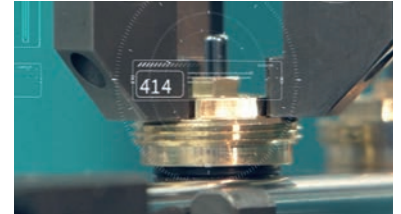
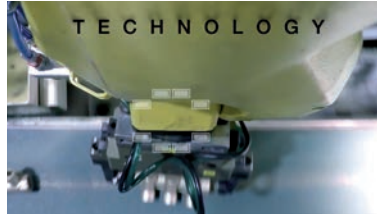


> THE COMPANY

ITAP SpA, founded in Lumezzane (Brescia) in 1972, is currently one of the leading production companies in Italy of **valves, fittings and distribution manifolds** for plumbing and heating systems.

Thanks to fully automated production processes, with 85 transfer machines and 55 assembly lines, we are able to produce 400,000 pieces per day.

Our innate pursuit for innovation and observance of technical regulations is supported by the company certification ISO 9001. The company has always considered its focus on quality as the main tool to obtain significant business results: today ITAP SpA is proud to offer products bearing the approval of numerous international certifying bodies.



> ITAP products have obtained approvals by more than 30 certification bodies from all over the world.





STAINLESS STEEL MANIFOLDS

852 Distribution manifold in stainless steel, centres distance mm.50

Manifolds in stainless steel AISI 304L with female outlets, suitable for fittings for copper, PEX, polybutylene or multilayer piping.



SIZE	PRESSURE	CODE	PACKING
1" x 2	10bar/145psi	85201000250	1/84
1" x 3	10bar/145psi	85201000350	1/60
1" x 4	10bar/145psi	85201000450	1/54
1" x 5	10bar/145psi	85201000550	1/54
1" x 6	10bar/145psi	85201000650	1/36
1" x 7	10bar/145psi	85201000750	1/24
1" x 8	10bar/145psi	85201000850	1/24
1" x 9	10bar/145psi	85201000950	1/24
1" x 10	10bar/145psi	85201001050	1/24
1" x 11	10bar/145psi	85201001150	1/24
1" x 12	10bar/145psi	85201001250	1/24
1" x 13	10bar/145psi	85201001350	1/20

CERTIFICATIONS



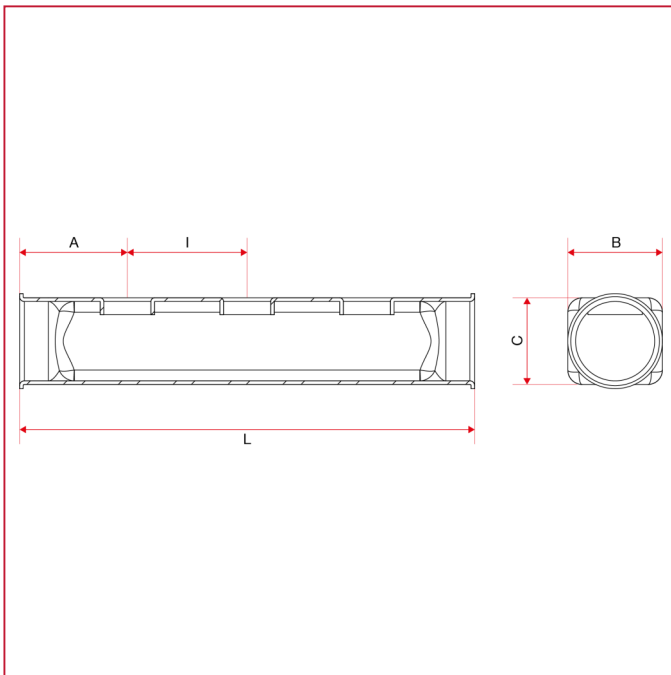
TECHNICAL SPECIFICATIONS

Maximum working temperature: 110°C.

Threads: ISO 228 (equivalent to DIN EN ISO 228 and BS EN ISO 228).

Size of the outlets: 1/2" F.

OVERALL DIMENSIONS

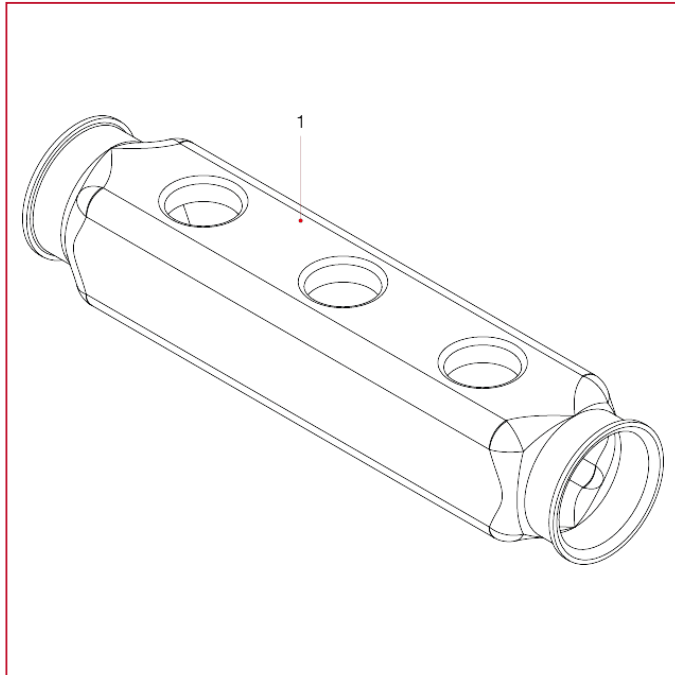




STAINLESS STEEL MANIFOLDS

	1" x 2	1" x 3	1" x 4	1" x 5	1" x 6	1" x 7	1" x 8	1" x 9	1" x 10	1" x 11	1" x 12	1" x 13
A	45	45	45	45	45	45	45	45	45	45	45	45
B	39,5	39,5	39,5	39,5	39,5	39,5	39,5	39,5	39,5	39,5	39,5	39,5
C	36	36	36	36	36	36	36	36	36	36	36	36
D	50	50	50	50	50	50	50	50	50	50	50	50
E	143	193	243	293	343	393	443	493	543	593	643	693
Kg/cm2 bar	10	10	10	10	10	10	10	10	10	10	10	10
LBS - psi	145	145	145	145	145	145	145	145	145	145	145	145

MATERIALS



POS.	DESCRIPTION	N.	MATERIAL
1	Body	1	Stainless steel AISI 304 L



STAINLESS STEEL MANIFOLDS

862 Distribution manifold in stainless steel, bilateral outlets, centres distance mm.50

Manifolds in stainless steel AISI 304L with female outlets, suitable for fittings for copper, PEX, polybutylene or multilayer piping.



SIZE	PRESSURE	CODE	PACKING
1" x 2	10bar/145psi	86201000250	1/84
1" x 3	10bar/145psi	86201000350	1/60
1" x 4	10bar/145psi	86201000450	1/54
1" x 5	10bar/145psi	86201000550	1/54
1" x 6	10bar/145psi	86201000650	1/36
1" x 7	10bar/145psi	86201000750	1/24
1" x 8	10bar/145psi	86201000850	1/24
1" x 9	10bar/145psi	86201000950	1/24
1" x 10	10bar/145psi	86201001050	1/24
1" x 11	10bar/145psi	86201001150	1/24
1" x 12	10bar/145psi	86201001250	1/24
1" x 13	10bar/145psi	86201001350	1/20

CERTIFICATIONS



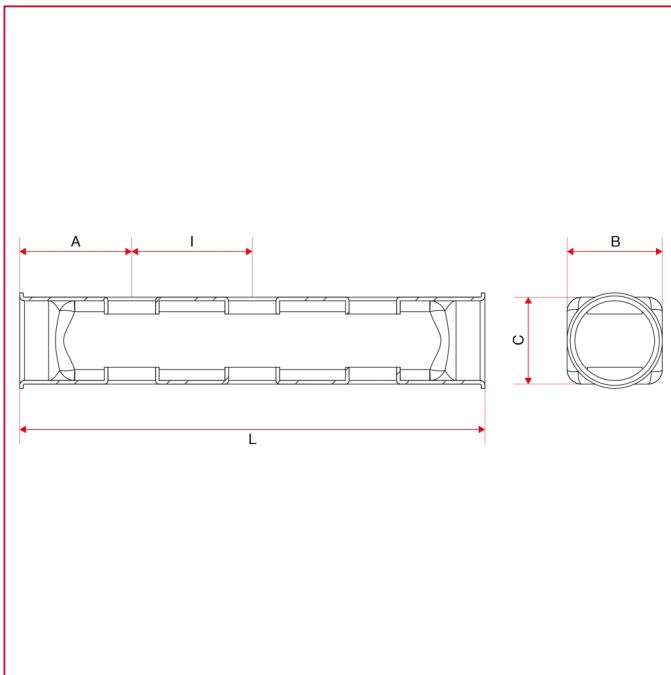
TECHNICAL SPECIFICATIONS

Maximum working temperature: 110°C.

Threads: ISO 228 (equivalent to DIN EN ISO 228 and BS EN ISO 228).

Size of the outlets: 1/2" F.

OVERALL DIMENSIONS

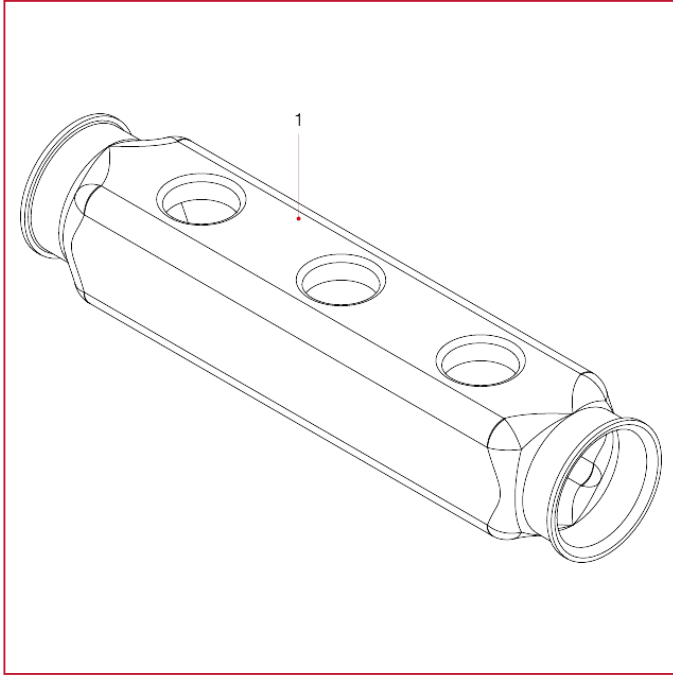




STAINLESS STEEL MANIFOLDS

	1" x 2	1" x 3	1" x 4	1" x 5	1" x 6	1" x 7	1" x 8	1" x 9	1" x 10	1" x 11	1" x 12	1" x 13
A	46,5	46,5	46,5	46,5	46,5	46,5	46,5	46,5	46,5	46,5	46,5	46,5
B	39,5	39,5	39,5	39,5	39,5	39,5	39,5	39,5	39,5	39,5	39,5	39,5
C	36	36	36	36	36	36	36	36	36	36	36	36
D	50	50	50	50	50	50	50	50	50	50	50	50
E	143	193	243	293	343	393	443	493	543	593	643	693
Kg/cm2 bar	10	10	10	10	10	10	10	10	10	10	10	10
LBS - psi	145	145	145	145	145	145	145	145	145	145	145	145

MATERIALS



POS.	DESCRIPTION	N.	MATERIAL
1	Body	1	Stainless steel AISI 304 L



ITAP S.p.A.
Via Ruca 19
25065 Lumezzane
Brescia (ITALY)
Tel 030 8927011
Fax 030 8921990
www.itap.it - info@itap.it

We reserve the right to make improvements and changes to the products described herein and to the relative technical data, at any time and without forewarning.

rev. 20211127