

FR/L15MD – FR/L20MD

Groups filter-regulator + oil fog lubricator
made of aluminium, suitable for compressed air



FEATURES

Group filter-regulator + oil fog lubricator, for inlet pressure up to 16 bar (232 psi).

Inlet and outlet connections 1" 1/2 F and 2" F by flanges screwed to the body.

Cast aluminium body and bowl.
ID Insert Deal modular line 15/20 MD.

Piston operation filter-regulator with balanced valve and relieving overpressure function.

50 µm bronze cartridge and semiautomatic condensate drain.

Available on request different filtration rate and manual or automatic drain.

Lubricator has drip rate adjustment and transparent dome to show oil supply.

The product complies with the directive 2014/68/EU (PED).

SPECIFICATIONS

Weight: ~12,5 kg / ~28 lb

Operating temperature: -20 °C ÷ +60 °C (-4° ÷ +140° F) for standard version

Main valve leakage classification: VI

Flow coefficient: 24.97

Bowl with condensation/oil level display

Bowl capacity: 1200 cc (~40 US fl oz)

Semi-automatic drain SS: drain the condensate every time the pressure is dumped

Connections G 1/4 – F for outlet pressure gauge on both sides

For more information see catalogues: FR15 MD – FR20 MD and L15 MD – L20 MD

ACCESSORIES

Wall mounting bracket kit: M11202

Operating pressure greater than standard

5 µm filter cartridge

SPARE PARTS

Lubricator complete sight-feed dome: M51201

Semi-automatic drain: C55003110304

Condensate manual drain: M42210

Condensate automatic drain: C55004870311

Condensate / oil level display: C6001950311 (single element, every bowl requires 2 displays)

Filter cartridges

Filter-regulator complete kit

Lubricator complete kit

generating the product code

GRUPPO FR+L 15-20			
AA BB CC D E FF			
AA	Attacchi / Connections	S0	15MD G 1-1/2-F
		T0	20MD G 2-F
BB	Tazza / Bowl	01	Tazza LL SS - 16 bar
		03	Tazza LL SAI - 16 bar
CC	Intervallo uscita / Outlet range	A0	0,2 - 1,5 bar
		B0	0,3 - 3 bar
		D0	0,8 - 8 bar
		E0	1,5-15 bar
D	Filtrante / Filter	D	5µm Bronzo sinterizzato
		G	50µm Bronzo sinterizzato
E	Marchiato / Marked	I	ID
FF	Accessori / Accessories	00	Nessun accessorio

CODE COMPOSITION EXAMPLE

612# T0 03 D0 G I 00

612#: Group filter-regulator + lubricator LL MD

T0: Connections G 2 – F

03: Automatic drain, PS=16 bar

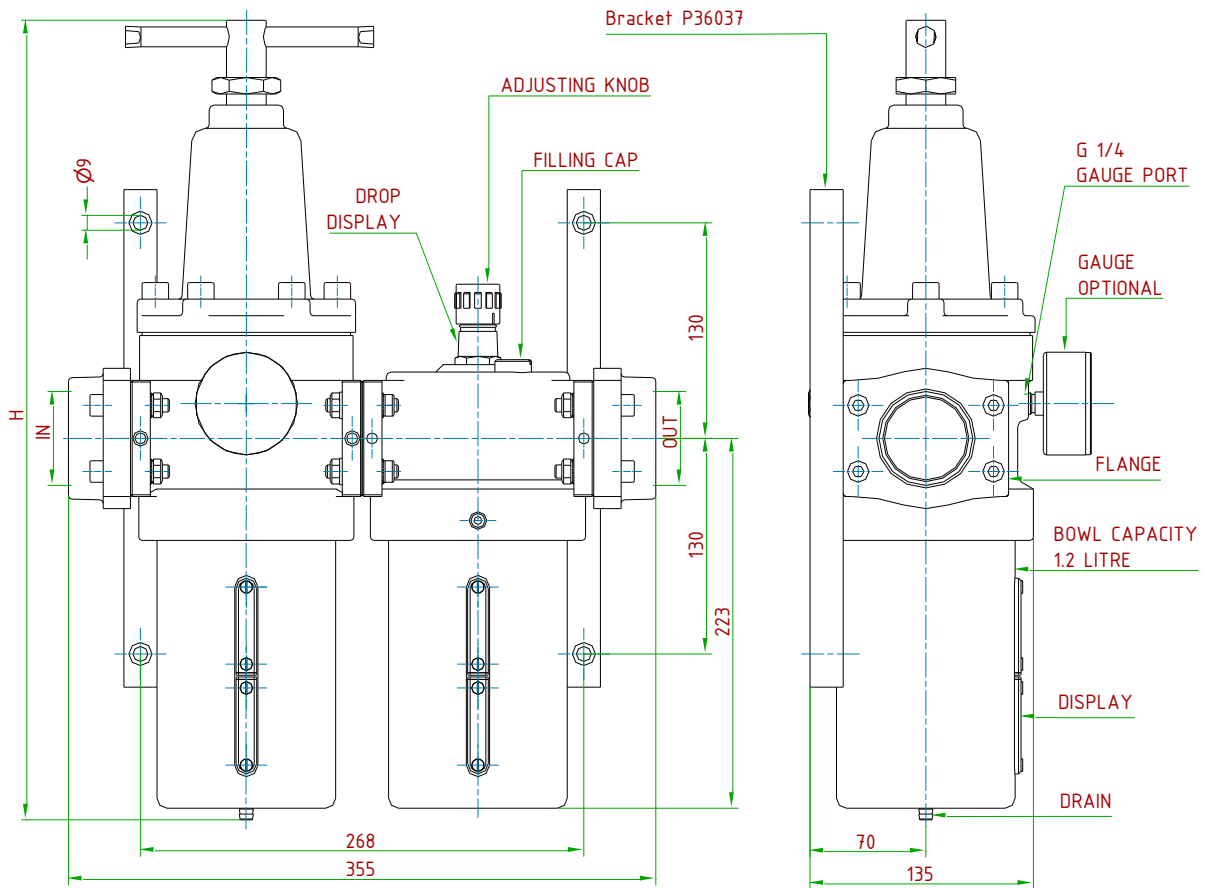
D0: Outlet pressure range 0.8 – 8 bar

G: Filtration rate 50 µm with sintered bronze cartridge

I: Insert Deal

00: No accessories

technical drawings (all dimensions in [mm])



Kit includes flanges, bolts and o-rings.

TYPE	IN/OUT	FLANGE	KIT
GRUPPO FR/L MD 1 1/2"G	G1 1/2-F	P37012	M27208
GRUPPO FR/L MD 2"G	G2-F	P37013	M27209
GRUPPO FR/L MD 1 1/2"NPT	1 1/2"NPT-F	P37026	-
GRUPPO FR/L MD 2"NPT	2"NPT-F	P37029	-

PS [bar]	DRAIN	NOTE	H
16	SEMI-AUTOMATIC	-	~483
16	AUTOMATIC	-	~485
20	MANUAL	-	~479
30	MANUAL	NO DISPLAYS	~479

Pout [bar]	GAUGE-ORDER NUMBER	GAUGE RANGE [bar]
0.2÷1.5	0ABNCC04	0÷2.5
0.3÷3	0ABNCC05	0÷6
0.8÷8	0ABNCC07	0÷16
1.5÷15	0ABNCC08	0÷25

GAS FILTRATION	
CARTRIDGE	MATERIAL
5 µm	BRONZE
50 µm	BRONZE

Bracket to be ordered separately, kit order number: M11202

ID Insert Deal Srl

Strada dei Boschi, 40
20852 Villasanta (MB) Italia
tel. +39 039 302035
info@idinsertdeal.com
www.idinsertdeal.com

ID Insert Deal si riserva il diritto di cambiare le specifiche del prodotto senza preavviso.
ID Insert Deal reserves the right to change and/or modify product specifications without prior notice.

Insert Deal non si assume alcuna responsabilità per la scelta, uso e manutenzione di qualsiasi prodotto. La responsabilità per l'ideale scelta, uso e manutenzione di qualsiasi prodotto ID rimane interamente a carico dell'acquirente.
Insert Deal does not assume responsibility for selection, use and maintenance of any products. Responsibility for proper selection, use and maintenance of any ID products remains entirely to the purchaser.

Riproduzione vietata. Tutti i diritti riservati; nessuna parte del presente documento può essere riprodotta senza autorizzazione di ID Insert Deal Srl.
Reproduction forbidden. All rights reserved; the hereby document can't be reproduced, also partially, without the authorization of ID Insert Deal Srl.

GROUP FR+L_612(FR.L15MD-FR.L20MD)_EN_02



Azienda con sistema di gestione qualità certificato.
certificato N° 50 100 9191
Company with certificated quality management system.
certificate N° 50 100 9191