

# FR/L14MD – FR/L18MD

Groups filter-regulator + oil fog lubricator  
made of zinc alloy, suitable for compressed air



## FEATURES

Group filter-regulator + oil fog lubricator, for inlet pressure up to 16 bar (232 psi).

Inlet and outlet connections

FRL 14 MD: 1/4" - F

FRL 18 MD: 1/8" - F

Zinc alloy body, Plastic bonnet.

ID Insert Deal modular line 14/18 MD with holes for wall mounting.

Diaphragm filter-regulator with relieving overpressure function, 20 µm cartridge and semi-automatic condensate drain.

Lubricator has drip rate adjustment and transparent dome to show oil supply.

The product complies with the 2014/68/EU PED directive.

## **SPECIFICATIONS**

Filter-regulator + lubricator: ~0.6 kg / ~1,3 lb (transparent bowl)

~0.84 kg / ~1,9 lb (metallic bowl)

Operating temperature: -10 °C ÷ +50 °C (+14° F ÷ +122° F)

Main valve leakage classification: VI

Flow coefficient: Kv = 0,6

Transparent bowl for operating pressure up to 12 bar

Metallic bowl with condensation/oil level display for operating pressure up to 16 bar

Bowl capacity: 45 cc

Semi-automatic drain SS: drain the condensate every time the pressure is dumped

Connections G 1/8 – F for outlet pressure gauge on both sides

20 µm PE filter cartridge

For more information see catalogues: FR14 MD – FR18 MD e L14 MD – L18 MD

## **ACCESSORIES**

Operating pressure greater than standard

Wall mounting bracket: M14201 (10 pieces)

Ring-nut for wall mounting bracket: P35013110304

5 µm cartridge

30 cc Transparent bowl (1 US fl oz)

Condensate manual drain SM

## **SPARE PARTS**

Semi-automatic drain SS: C55003110304

Condensate manual drain SM: M42210

Condensate/oil level display: C6001950311 (single element)

Filter cartridges

Filter-regulator complete kit

Lubricator complete kit

## generating the product code

Gruppo FR/L MD			
AA BB CC D E FF			
AA	Attacchi / Connections	M0	G 1/8
		N0	G 1/4
		U0	1/8" NPT
		V0	1/4" NPT
BB	Tazza / Bowl	01	Tazza LL SS - 16 bar
		07	Tazza trasp SS - 12 bar
CC	Intervallo uscita / Outlet range	A0	0,2 - 1,5 bar
		B0	0,3 - 3 bar
		C0	0,5 - 5 bar
		D0	0,8 - 8 bar
		E0	1,5-15 bar
D	Filtrante / Filter	A	5µm
		B	20µm
E	Marchiato / Marked	I	ID
FF	Accessori / Accessories	00	Nessun accessorio

### CODE COMPOSITION EXAMPLE

**615# N0 01 E0 B I 00**

**615#:** Group filter-regulator + lubricator MD

**N0:** Connections G 1/4 - F

**01:** Metallic bowl, semi-automatic drain, PS=16 bar

**E0:** Outlet pressure range 1,5 - 15 bar

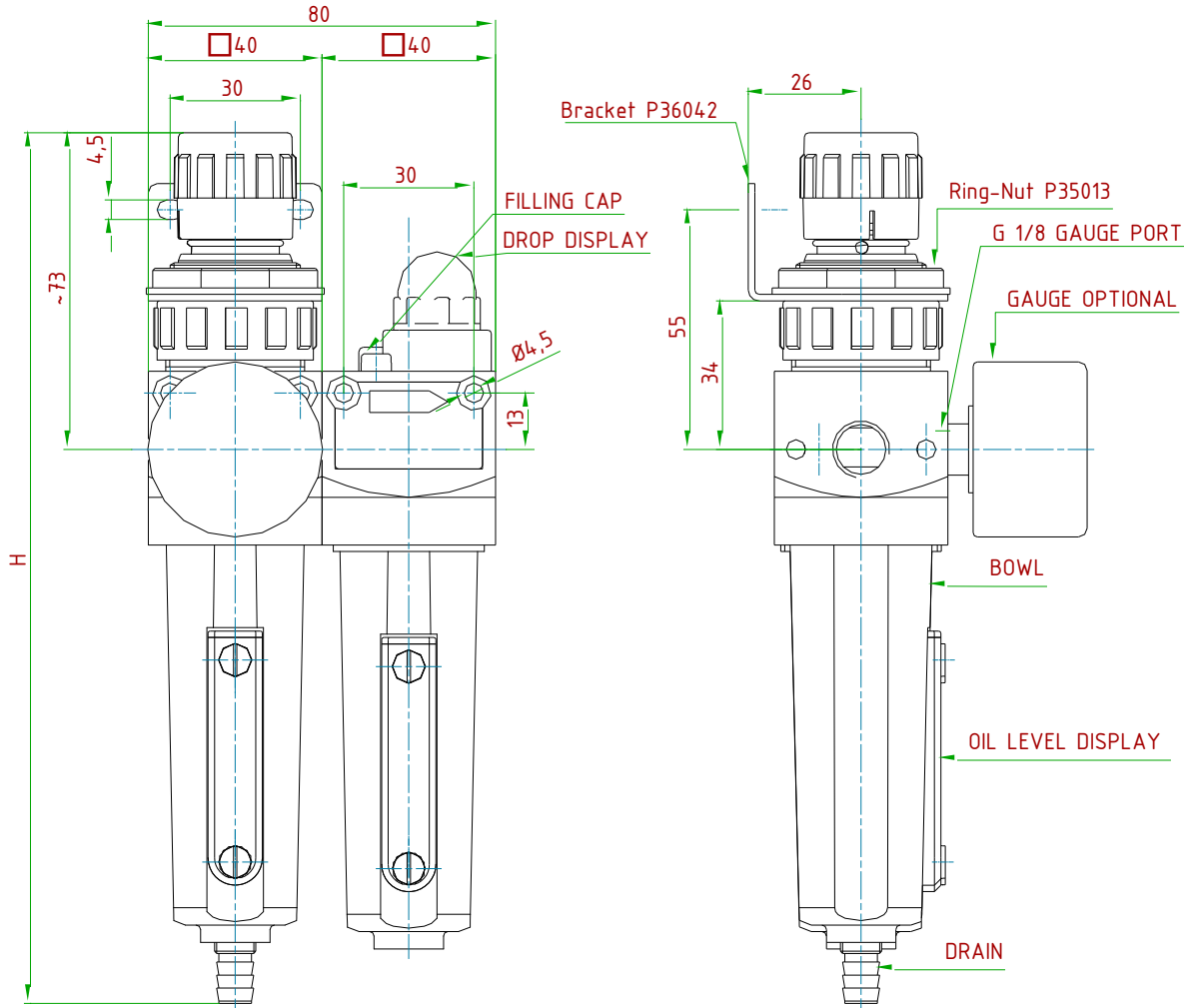
**B:** 20 µm cartridge

**I:** Insert Deal

**00:** No accessories

# technical drawings (all dimensions in [mm])

Bracket and Ring-Nut to be ordered separately  
 Order number bracket: M14201  
 Order number Ring-Nut: P35013110304



TYPE	IN/OUT
GRUPPO FR/L MD 1/4"G	G1/4-F
GRUPPO FR/L MD 1/8"G	G1/8-F
GRUPPO FR/L MD 1/4"NPT	1/4"NPT-F
GRUPPO FR/L MD 1/8"NPT	1/8"NPT-F

PS [bar]	BOWL CAPACITY	BOWL	DRAIN	H
12	30 cc	TRANSPARENT	SEMI-AUTOMATIC	~168
12	45 cc	TRANSPARENT	SEMI-AUTOMATIC	~195
16	45 cc	ZINC ALLOY	SEMI-AUTOMATIC	~201

Pout [bar]	GAUGE-ORDER NUMBER	GAUGE RANGE [bar]
0.2÷1.5	0ABMAA19	0÷2.5
0.3÷3	0ABMAA20	0÷6
0.5÷5	0ABMAA21	0÷12
0.8÷8	0ABMAA22	0÷16
1.5÷15	0ABMAA23	0÷25

GAS FILTRATION	
CARTRIDGE	MATERIAL
5 µm	PE
20 µm	PE

## **ID Insert Deal Srl**

Strada dei Boschi, 40  
20852 Villasanta (MB) Italia  
tel. +39 039 302035  
[info@idinsertdeal.com](mailto:info@idinsertdeal.com)  
[www.idinsertdeal.com](http://www.idinsertdeal.com)

ID Insert Deal si riserva il diritto di cambiare le specifiche del prodotto senza preavviso.  
ID Insert Deal reserves the right to change and/or modify product specifications without prior notice.

Insert Deal non si assume alcuna responsabilità per la scelta, uso e manutenzione di qualsiasi prodotto. La responsabilità per l'ideale scelta, uso e manutenzione di qualsiasi prodotto ID rimane interamente a carico dell'acquirente.

Insert Deal does not assume responsibility for selection, use and maintenance of any products. Responsibility for proper selection, use and maintenance of any ID products remains entirely to the purchaser.

Riproduzione vietata. Tutti i diritti riservati; nessuna parte del presente documento può essere riprodotta senza autorizzazione di ID Insert Deal Srl.  
Reproduction forbidden. All rights reserved; the hereby document can't be reproduced, also partially, without the authorization of ID Insert Deal Srl.

**GROUP FR+L\_615(FR.L14MD-FR.L18MD)\_EN\_01**



Azienda con sistema di gestione qualità certificato.  
**certificato N° 50 100 9191**  
Company with certificated quality management system.  
**certificate N° 50 100 9191**