

# FRL14MD – FRL18MD

Groups filter + regulator + oil fog lubricator  
made of zinc alloy , suitable for compressed air



## FEATURES

Filter-regulator combined with a lubricator,  
for inlet pressure up to 16 bar (232 psi).

Inlet and outlet connections:

FRL14 MD 1/4" – F

FRL18 MD 1/8" – F

Zinc alloy body, plastic bonnet.

ID Insert Deal modular line 14/18 MD with  
holes for wall mounting.

The filter has 20 µm cartridge and semi-  
automatic condensate drain.

Diaphragm pressure-regulator with  
relieving overpressure function.

Lubricator has drip-rate adjustment and  
transparent dome to show oil supply.

The product complies with the 97/23/CE PED  
directive.

## **SPECIFICATIONS**

Group FRL weight: ~0,80 kg / ~1,8 lb (transparent bowl), ~0,96 Kg / ~2,1 lb (metallic bowl)

Operating temperature -10° C ÷ +50° C (+14° F ÷ +122° F)

Bowl capacity: 45 cc ( 1,5 US fl oz)

Transparent bowl: for operating temperature up to 12 bar

Metallic bowl with condensation/oil level display for operating temperature up to 16 bar

Main valve leakage classification: VI

Flow coefficient: Kv= 0,6

Semi-automatic drain SS: drain the condensate every time the pressure is dumped

Connection G 1/8 for outlet pressure gauge on both sides

For more information see catalogues: F14 MD – F18 MD, R14 MD – R18 MD e

L14 MD –L18 MD

20 µm PE filter cartridge

## **ACCESSORIES**

Operating pressure greater than standard

Condensate manual drain SM

5 µm cartridge

30 cc Transparent bowl (1 US fl oz)

Wall mounting bracket: M14201 (10 pieces)

Ring-nut for wall mounting bracket: P35013110304

## **SPARE PARTS**

Semi-automatic drain SS: C55003110304

Condensate/oil level display: C6001950311 (single element)

Filter cartridges

Filter complete kit

Regulator complete kit

Lubricator complete kit

Condensate manual drain SM: M42210

## generating the product code

Gruppo FRL MD			
AA BB CC D E FF			
AA	Attacchi / Connections	M0	G 1/8
		N0	G 1/4
		U0	1/8" NPT
		V0	1/4" NPT
BB	Tazza / Bowl	01	Tazza LL SS - 16 bar
		07	Tazza trasp SS - 12 bar
CC	Intervallo uscita / Outlet range	A0	0,2 - 1,5 bar
		B0	0,3 - 3 bar
		D0	0,8 - 8 bar
		E0	1,5-15 bar
D	Filtrante / Filter	A	5µm
		B	20µm
E	Marchiato / Marked	I	ID
FF	Accessori / Accessories	00	Nessun accessorio

### CODE COMPOSITION EXAMPLE

**715# M0 01 D0 B I 00**

**715#:** Group FRL MD

**M0:** Connections G 1/8 - F

**01:** Semi-automatic drain, PS=16 bar

**D0:** Outlet pressure range 0,8 - 8 bar

**B:** 20 µm cartridge

**I:** Insert Deal

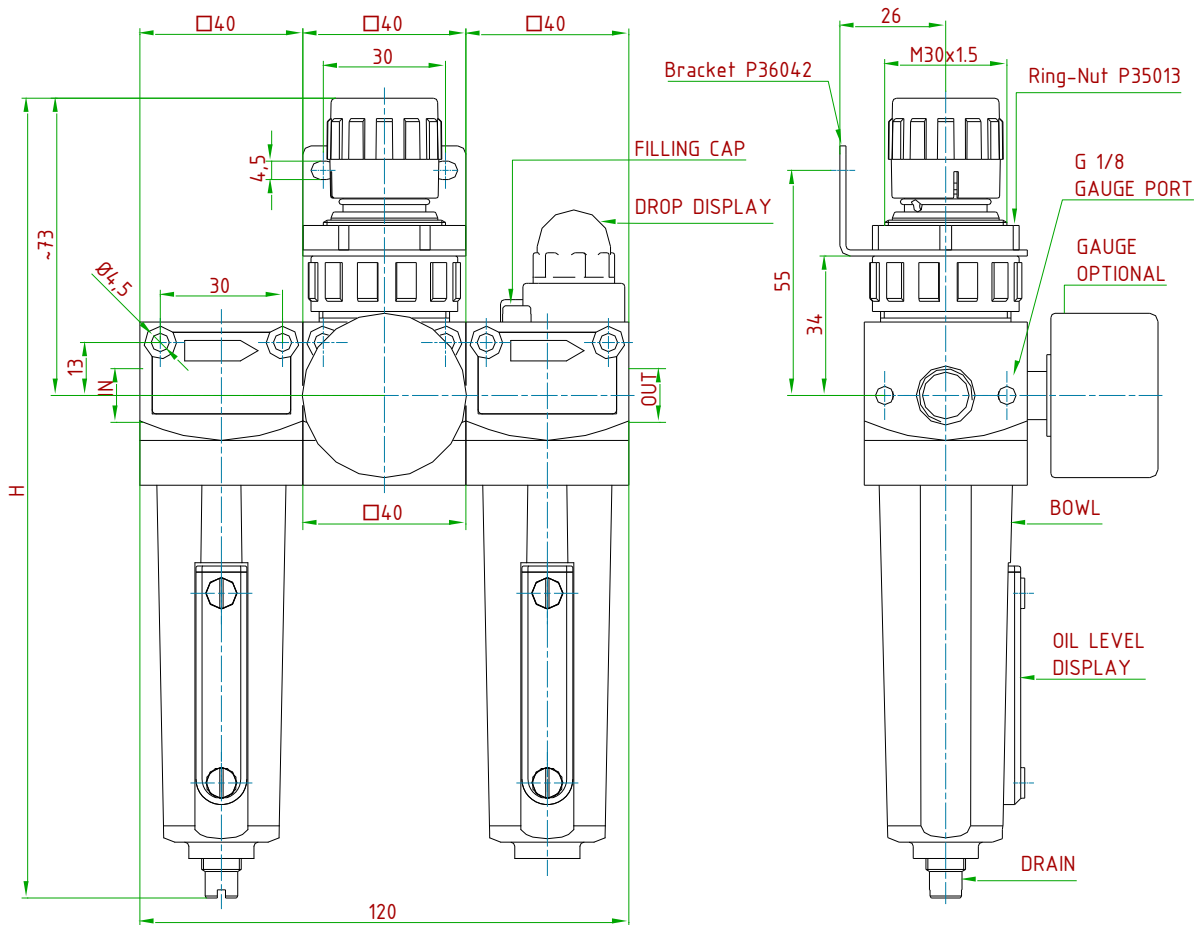
**00:** No accessories

# technical drawings (all dimensions in [mm])

Bracket and Ring-Nut to be ordered separately  
 Order number bracket: M14201 (10 pieces)  
 Order number Ring-Nut: P35013110304

TYPE	IN/OUT
F+R+L 14MD	G 1/4-F
F+R+L 18MD	G 1/8-F
F+R+L 14MD	1/4"NPT-F
F+R+L 18MD	1/8"NPT-F

PS [bar]	BOWL CAPACITY	BOWL	DRAIN	H
12	45 cc	TRANSPARENT	SEMI-AUTOMATIC	~195
16	45 cc	ZINC ALLOY	SEMI-AUTOMATIC	~201



GAS FILTRATION	
CARTRIDGE	MATERIAL
5 µm	PE
20 µm	PE

Pout [bar]	GAUGE-ORDER NUMBER	GAUGE RANGE
0.2÷1.5	0ABMAA19	0÷2.5
0.3÷3	0ABMAA20	0÷6
0.5÷5	0ABMAA21	0÷12
0.8÷8	0ABMAA22	0÷16
1.5÷15	0ABMAA23	0÷25

## **ID Insert Deal Srl**

Strada dei Boschi, 40  
20852 Villasanta (MB) Italia  
tel. +39 039 302035  
[info@idinsertdeal.com](mailto:info@idinsertdeal.com)  
[www.idinsertdeal.com](http://www.idinsertdeal.com)

ID Insert Deal si riserva il diritto di cambiare le specifiche del prodotto senza preavviso.  
ID Insert Deal reserves the right to change and/or modify product specifications without prior notice.

Insert Deal non si assume alcuna responsabilità per la scelta, uso e manutenzione di qualsiasi prodotto. La responsabilità per l'ideale scelta, uso e manutenzione di qualsiasi prodotto ID rimane interamente a carico dell'acquirente.

Insert Deal does not assume responsibility for selection, use and maintenance of any products. Responsibility for proper selection, use and maintenance of any ID products remains entirely to the purchaser.

Riproduzione vietata. Tutti i diritti riservati; nessuna parte del presente documento può essere riprodotta senza autorizzazione di ID Insert Deal Srl.  
Reproduction forbidden. All rights reserved; the hereby document can't be reproduced, also partially, without the authorization of ID Insert Deal Srl.

**PRESSURE REGULATOR\_715(FRL14MD-FRL18MD)\_EN\_00**



Azienda con sistema di gestione qualità certificato.  
**certificato N° 50 100 9191**  
Company with certificated quality management system.  
**certificate N° 50 100 9191**