

FRL12MD – FRL38MD

Groups filter + regulator + oil fog lubricator
made of aluminium, suitable for compressed air



FEATURES

Group filter + regulator + oil fog lubricator, for inlet pressure up to 16 bar (232 psi). Inlet and outlet connections 1/2" F and 3/8" F in the body.

Aluminium cast body and bowl.
ID Insert Deal modular line 12/38 MD with holes for wall mounting.

Filter with bronze 50 µm cartridge.
Condensate semi-automatic drain.
Available on request different filtration rate and manual or automatic drain.

Diaphragm operation pressure regulator with balanced valve and relieving overpressure function.

Lubricator has drip rate adjustment and transparent dome to show oil supply.

The product complies with the directive 2014/68/EU (PED).

SPECIFICATIONS

Group FRL: ~2 kg / ~4,4 lb

Operating temperature: -10 °C ÷ +50 °C (+14° F ÷ +122° F)

Main valve leakage classification: VI

Flow coefficient: 2.99

Bowls with condensation/oil level display

Bowl capacity: 180 cc (6 US fl oz)

Semi-automatic drain SS: drain the condensate every time the pressure is dumped

Connections G 1/4 – F for outlet pressure gauge on both sides

For more information see catalogues: R12 MD – R38MD, F12 MD – F38 MD e

L12 MD–L38 MD

ACCESSORIES

Metallic bracket + plastic ring-nut for wall mounting: M11201 (10 pieces)

Operating pressure greater than standard

5 µm cartridge

Condensate manual drain SM

Condensate automatic drain SAI

SPARE PARTS

Lubricator complete sight-feed dome: M51201

Condensate semi-automatic drain: C55003110304

Condensate automatic drain: C5500487

Condensate manual drain: M42210

Condensate oil level display: C6001950311

Filter cartridges

Filter complete kit

Regulator complete kit

Lubricator complete kit

generating the product code

GRUPPI F+R+L MD			
AA BB CC D E FF			
AA	Attacchi / Connections	L0	38MD 3/8" MD
		P0	12MD 1/2"
BB	Tazza / Bowl	01	Tazza LL SS - 16 bar
		03	Tazza LL SAI - 16 bar
CC	Intervallo uscita / Outlet range	A0	0,2 - 1,5 bar
		B0	0,3 - 3 bar
		D0	0,8 - 8 bar
		E0	1,5-15 bar
D	Filtrante / Filter	D	5µm
		G	50µm
E	Marchiato / Marked	I	ID
FF	Accessori / Accessories	00	Nessun accessorio

CODE COMPOSITION EXAMPLE

712# P0 01 D0 G I 00

712#: Group filter + regulator + lubricator LL MD

P0: Connections G 1/2" – F

01: Bowl with semi-automatic drain, PS=16 bar

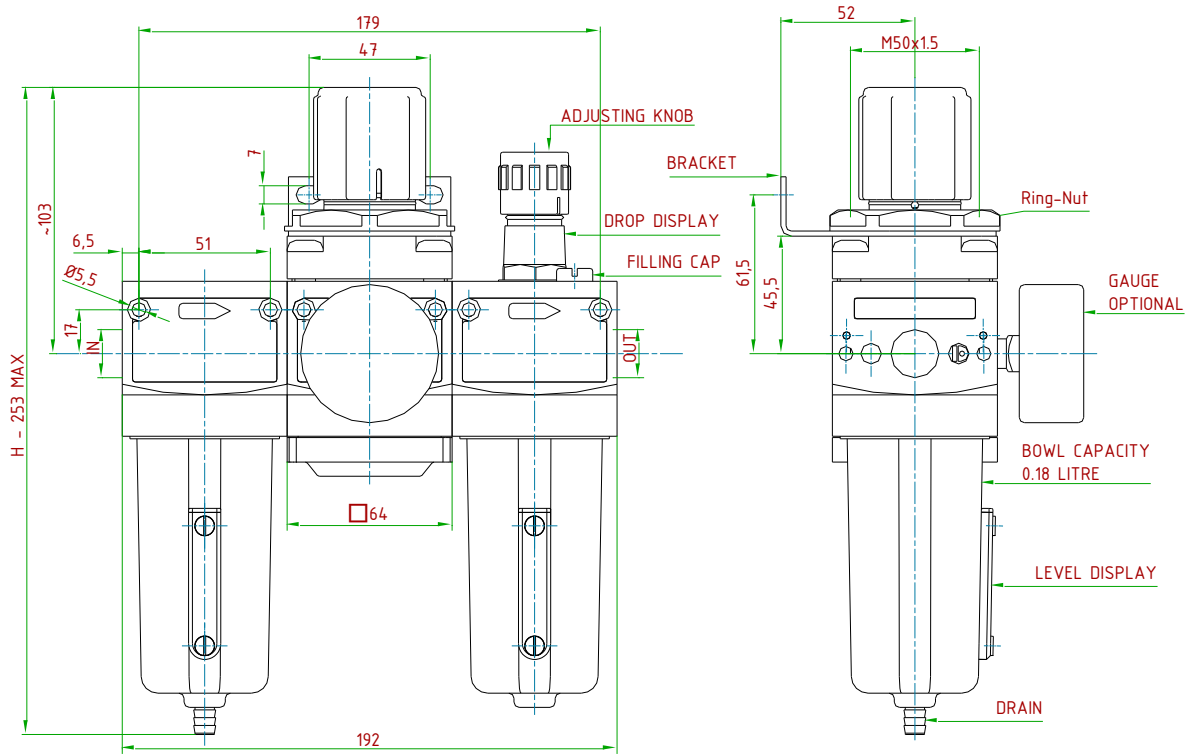
D0: Outlet pressure range 0,8 – 8 bar

G: 50 µm cartridge

I: Insert Deal

00: No accessories

technical drawings (all dimensions in [mm])



Bracket and Ring-Nut to be ordered separately

TYPE		IN/OUT	GAS FILTRATION	
			CARTRIDGE	MATERIAL
F+R+L 12 MD	1/2"GF	G1/2-F	5 µm	BRONZE
F+R+L 38 MD	3/8"GF	G3/8-F	50 µm	BRONZE
F+R+L 12 MD	1/2"NPTF	1/2"NPT-F		

PS [bar]	DRAIN	NOTE	H
16	SEMI-AUTOMATIC	-	~251
16	AUTOMATIC	-	~253
20	MANUAL	-	~246
30	MANUAL	NO DISPLAYS	~246

ID Insert Deal Srl

Strada dei Boschi, 40
20852 Villasanta (MB) Italia
tel. +39 039 302035
info@idinsertdeal.com
www.idinsertdeal.com

ID Insert Deal si riserva il diritto di cambiare le specifiche del prodotto senza preavviso.
ID Insert Deal reserves the right to change and/or modify product specifications without prior notice.

Insert Deal non si assume alcuna responsabilità per la scelta, uso e manutenzione di qualsiasi prodotto. La responsabilità per l'ideale scelta, uso e manutenzione di qualsiasi prodotto ID rimane interamente a carico dell'acquirente.

Insert Deal does not assume responsibility for selection, use and maintenance of any products. Responsibility for proper selection, use and maintenance of any ID products remains entirely to the purchaser.

Riproduzione vietata. Tutti i diritti riservati; nessuna parte del presente documento può essere riprodotta senza autorizzazione di ID Insert Deal Srl.
Reproduction forbidden. All rights reserved; the hereby document can't be reproduced, also partially, without the authorization of ID Insert Deal Srl.

GROUP FRL_712(FRL12MD-FRL38MD)_EN_02



Azienda con sistema di gestione qualità certificato.
certificato N° 50 100 9191
Company with certificated quality management system.
certificate N° 50 100 9191