

# 310G2

Groups filter-regulator + oil fog lubricator  
made of stainless steel AISI 316L, suitable for compressed air



## FEATURES

Group filter-regulator + oil fog lubricator for inlet pressure up to 50 bar (~725psi).

Connections

3/4" -F;

1" -F;

1" 1/4-F;

1" 1/2-F

GAS or NPT, by flanges screwed to the body.

Connections with EN or ASME flanges available on request.

Standard version filter-regulator with stainless steel 50 µm cartridge, 5 µm cartridge available on request.

Filter regulator has a piston to control outlet pressure, balanced main valve and relieving overpressure function.

Available automatic condensate drain (SAI) for pressure up to 16bar (232psi).

Manual drain (SM) or cap for pressure up to 30 bar (435 psi).

The oil rate can be adjusted by a screw at the top of the lubricator.

The product complies with the 97/23/CE PED directive.

## **SPECIFICATION**

FR+L weight: ~9 kg / ~19,8 lb

Standard version operating temperature: -20 °C ÷ +80 °C (-4 °F ÷ +140 °F)

Main valve leakage classification: VI (bubble tight)

Flow coefficient: Kv= 3 Nm<sup>3</sup>/h, Cv = 3,5 US gal/min

Bowl capacity: 500 cc (16,9 US fl oz)

1/4" port for outlet pressure gauge on both sides

For more information see catalogues 310FR – 310L2

Automatic condensate drain (SAI) for inlet pressure up to 16 bar (232psi)

Manual condensate drain (SM) or cap for inlet pressure up to 30 bar (435psi)

## **ACCESSORIES**

Wall mounting bracket: P36107030304

5 µm filtration rate

Pressure gauge for outlet pressure

## **SPARE PARTS**

Condensate manual drain: M42215

Condensate automatic drain: C55002480311 (PS 16 bar)

Filter cartridges

Filter-regulator complete kit: assembled main valve, o-rings, filter cartridge

Lubricator complete kit: o-rings, balls, diaphragm

## available model types

### Gruppi FR+L 2 pezzi

### 2 pieces FR+L groups

Gruppi FR+L a 2 pezzi, in acciaio AISI 316L, idonei per aria compressa

2 pieces FR+L groups, of stainless steel AISI 316L, suitable for compressed air

Corpo in alluminio da lavorazione di barra / Body made of aluminium machined from the solid bar

Tazza da fusione in lega di alluminio / Cast aluminium bowl

TYPE	CONNECTION IN/OUT	PS bar	Pout Bar	FILTRATION RATE	DRAIN	MEDIUM
						<b>310G2</b>
<b>310G2</b>	G 3/4-F	16	0,8-8 1,5-15	50 µm	Automatic drain SAI	Aria
	G 1-F	30			Manual drain SM	Aria

#### CONNESSIONI DIVERSE DA STANDARD / CONNECTION DIFFERENT FROM STANDARD

G1"1/4-F

G1"1/2-F

3/4"NPT-F

1" NPT-F

1"1/4 NPT-F

1"1/2 NPT-F

Flange EN o ASME / EN or ASME flanges

#### ESECUZIONI DIVERSE DA STANDARD / FEATURES DIFFERENT FROM STANDARD

Pressioni uscita P.out 0,2-1,5 / 0,3-3 bar / Outlet pressure P.out 0,2-1,5 / 0,3-3 bar

Pressione uscita tarata fissa / Fixed outlet pressure

Esecuzione con filtrazione 5 micron / Filtration rate 5 micron

Pressione entrata 50 bar / Inlet pressure 50 bar

Versione ATEX / ATEX version

Temperatura diversa da standard / Temperature different from standard

Stampigliatura su specifica del cliente / Not standard branding

#### ACCESSORI / ACCESSORIES

Kit scarico manuale M42215 / Kit for manual drain M42215

Kit scarico automatico C55002480311 / Kit for automatic drain C55002480311

Staffa P36107030304 / Bracket P36107030304

Manometro per pressione di uscita / Gauge for outlet pressure

## generating the product code

Gruppi FR+L serie 10 AISI 316L / Group FR+L serie 10 AISI 316L			
AA BB CC D EE FF GG			
AA	Attacchi / Connections	Q0	G 3/4-F
		R0	G1-F
		J0	G1 1/4-F
		S0	G1 1/2-F
		X0	3/4"NPT-F
		Y0	1"NPT-F
		B0	1 1/4"NPT-F
		Z0	1 1/2"NPT-F
BB	Pressione ingresso / Inlet pressure	H1	PS 16 bar
		D0	PS 30 bar
		E0	PS 50 bar
CC	Intervallo uscita / Outlet range	A0	Pout 0,2÷1,5 bar
		B0	Pout 0,3÷3 bar
		D0	Pout 0,8÷8 bar
		E0	Pout 1,5÷15 bar
D	Filtrante / Filtration rate	C	5µm
		H	50µm
EE	Scarico / Drain	19	SAI / Automatic drain
		20	SM / Manual drain
		21	Tappo / Cap
FF	Marchiato / Marked	I0	ID
		Z0	Dir.ATEX 94/9/CE
GG	Accessori/ Accessories	00	Nessun accessorio / No accessories
		06	Manometro / Pressure gauge

### CODE COMPOSITION EXAMPLE

**310G2# Q0 D0 D0 H 20 I0 00**

**210G2#:** Group filter-regulator + lubricator "series 10" AISI 316L

**Q0:** Connections G 3/4 – F

**D0:** Maximum inlet pressure PS=30 bar

**D0:** Outlet pressure range 0,8 – 8 bar

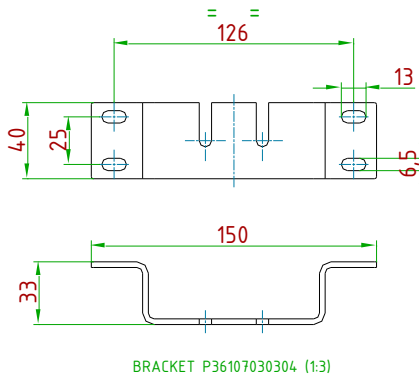
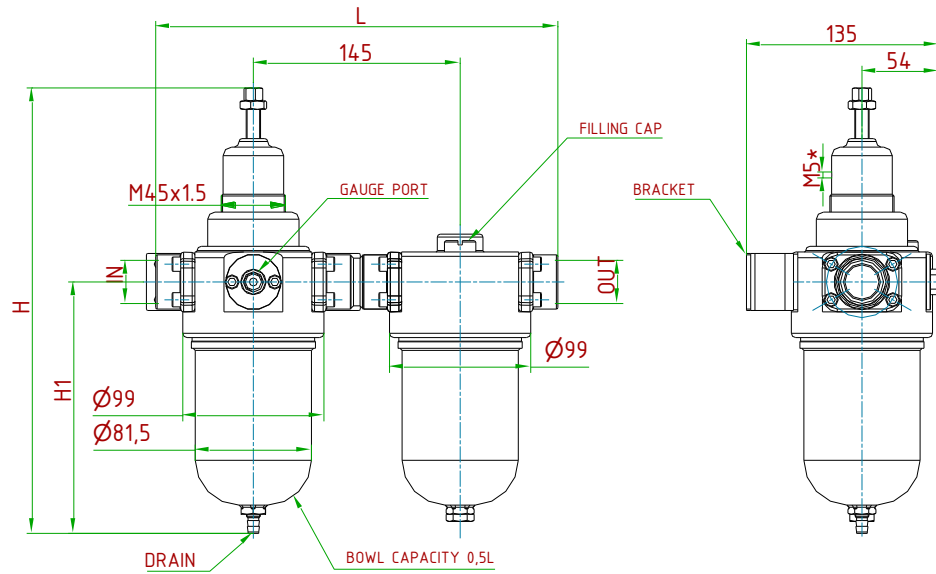
**H:** Filtration rate 50 µm

**20:** Manual drain SM

**I0:** Insert Deal

**00:** No accessories

# technical drawings (all dimensions in [mm])



DRAIN	~H [mm]	~H1 [mm]	PS [bar]
Automatic drain (SAI)	312	177	16
Manual drain (SM)	305	170	30
CAP	304	169	50

TYPE	IN/OUT	L [mm]	GAUGE PORT
310G2 G3/4	G3/4-F	282	G 1/4
310G2 G1	G1-F	282	G 1/4
310G2 G1 1/4	G1 1/4-F	393	G 1/4
310G2 G1 1/2	G1 1/2-F	393	G 1/4
310G2 3/4"NPT	3/4"NPT-F	282	1/4 NPT
310G2 1"NPT	1"NPT-F	282	1/4 NPT
310G2 1"1/4NPT	1"1/4NPT-F	393	1/4 NPT
310G2 1"1/2NPT	1"1/2NPT-F	393	1/4 NPT

\*FOR PIPE CONNECTION WHEN REQUIRED, RANDOM ORIENTATION

## **ID Insert Deal Srl**

Strada dei Boschi, 40  
20852 Villasanta (MB) Italia  
tel. +39 039 302035  
[info@idinsertdeal.com](mailto:info@idinsertdeal.com)  
[www.idinsertdeal.com](http://www.idinsertdeal.com)

ID Insert Deal si riserva il diritto di cambiare le specifiche del prodotto senza preavviso.  
ID Insert Deal reserves the right to change and/or modify product specifications without prior notice.

Insert Deal non si assume alcuna responsabilità per la scelta, uso e manutenzione di qualsiasi prodotto. La responsabilità per l'ideale scelta, uso e manutenzione di qualsiasi prodotto ID rimane interamente a carico dell'acquirente.

Insert Deal does not assume responsibility for selection, use and maintenance of any products. Responsibility for proper selection, use and maintenance of any ID products remains entirely to the purchaser.

Riproduzione vietata. Tutti i diritti riservati; nessuna parte del presente documento può essere riprodotta senza autorizzazione di ID Insert Deal Srl.  
Reproduction forbidden. All rights reserved; the hereby document can't be reproduced, also partially, without the authorization of ID Insert Deal Srl.

2^S-310G2 - 310G2\_EN\_00



Azienda con sistema di gestione qualità certificato.  
**certificato N° 50 100 9191**  
Company with certificated quality management system.  
**certificate N° 50 100 9191**