

# HPF314-HPF338-HPF312

# HPF310-HPF334

Stainless steel AISI 316L high pressure filters,  
suitable for gas and liquid



## FEATURES

Filter for inlet pressure up to 220 bar (3190 psi) in the standard version.

Female connections G 1/4, G 3/8, G 1/2, G 1 e G 3/4. Other connections available on request.

Replaceable filter elements: 5  $\mu$ m, 50  $\mu$ m or coalescing (0.01  $\mu$ m/99.99%).

Available the ATEX version.

Brand:  II 2GDcIICX.

For use in potentially explosive atmospheres zones: 1, 21, 2, 22 (not for mines and zone 0).

Available the EAC-EX TP TC 012/2011 versions for the Russian market.

The product complies with the directive 97/23/CE (PED).

## **SPECIFICATIONS**

Operating temperature: -20 °C ÷ +60 °C (-4 °F ÷ +140 °F) for standard version

Degree of protection: IP66

Bowl capacity: 40 cc (1,35 fluid ounces) for versions 1/4", 3/8", 1/2"

500 cc (16,9 fluid ounces) for versions 1", 3/4"

Acetylene version: maximum operating pressure 15 bar

## **MATERIALS**

Body: stainless steel AISI 316 L

Bowl: stainless steel AISI 316 L

Internal parts: stainless steel AISI 316 L

O-Ring: FPM or EPDM according to the fluid (other compounds available on request)

Filter cartridges 5 and 50 µm: stainless steel AISI 316 L

## **ACCESSORIES**

Bracket kit + screws: M13001 for HPF 314 / 338 / 312

Bracket kit + screws: M13003 for HPF 310 / 334

## **SPARE PARTS**

Filter cartridges

Complete kit: filter cartridge, O-rings

## available model types

**Filtri per alta pressione (max 220 bar) in acciaio inox 316 L,  
ideali per gas tecnici (esclusi O2) e liquidi**  
**High pressure filters (max 220 bar) of stainless steel 316 L**  
**Suitable technical gases (except O2) and liquid**  
Corpo e tappo da lavorazione di barra/ Body and cap by machining bar

TYPE	PS bar	CONNECTION IN/OUT	FILTRATION RATE	BOWL	DRAIN	CODE	MEDIUM
							<b>HPF 314</b>
HPF 314	15	G 1/4-F	50 µm	Metal	SV	NO	2B3#N0
	220	G 1/4-F	50 µm	Metal	SV	NO	2B3#N0
							<b>HPF 338</b>
HPF 338	15	G 3/8-F	50 µm	Metal	SV	NO	2B3#L0
	220	G 3/8-F	50 µm	Metal	SV	NO	2B3#L0
							<b>HPF 312</b>
HPF 312	15	G 1/2-F	50 µm	Metal	SV	NO	2B3#P0
	220	G 1/2-F	50 µm	Metal	SV	NO	2B3#P0
							<b>HPF 310</b>
HPF 310	220	G 1-F	50 µm	Metal	SV	NO	2B3#R0
							<b>HPF 334</b>
HPF 334	220	G 3/4-F	50 µm	Metal	SV	NO	2B3#Q0

Metal= tazza metallica / Metallic Bowl  
SV= senza visualizzatore / Without visual sight  
\* Aria - N2 - He - Ar - H2 - C3H8 - CH4  
\*\* CO2 - N2O

### ATTACCHI DIVERSI DA STANDARD HPF314-HPF338-HPF312 / CONNECTION DIFFERENT FROM STD HPF314-HPF338-HPF312

Attacchi entrata/uscita NPT / Inlet/outlet connections NPT

1/4 NPT

1/2 NPT

3/8 NPT

### ATTACCHI DIVERSI DA STANDARD HPF310-HPF334 / CONNECTION DIFFERENT FROM STD HPF310-HPF334

Attacchi entrata/uscita NPT / Inlet/outlet connections NPT

1 NPT

3/4 NPT

### ESECUZIONI DIVERSE DA STANDARD / MODELS DIFFERENT FROM STANDARD

Pressione ingresso 350 bar / Inlet pressure 350 bar

Esecuzione con filtrazione 5 micron / Filtration rate 5 micron

Esecuzione con filtrazione coalescente (filtrazione 0.01 micron, efficienza 99.99%) / Coalescing filtration (rate 0.01 micron, efficiency 99.99%)

O-ring secondo FDA / O-ring according to FDA

Versione EAC-EX TP TC 012/2011 / EAC-EX TP TC 012/2011 version

Stampigliatura su specifica del cliente / Not standard branding

Versione ATEX / ATEX version

Temperatura diversa da standard / Temperature different from standard

Sgrassato / Degreased

### ESECUZIONI DIVERSE DA STANDARD HPF314-HPF338-HPF312/ EXECUTIONS DIFFERENT FROM STD HPF314-HPF338-HPF312

O-ring diversi - FPM / O-rings different - FPM

### ESECUZIONI DIVERSE DA STANDARD HPF310-HPF334/ EXECUTIONS DIFFERENT FROM STD HPF310-HPF334

O-ring diversi - FPM / O-rings different - FPM

### ACCESSORI HPF314-HPF338-HPF312 / ACCESSORIES HPF314-HPF338-HPF312

Kit staffa + viti M13001 / Bracket with screws M13001

ACCESSORI HPF310-HPF334/ ACCESSORIES HPF310-HPF334

Kit staffa + viti M13003 / Bracket with screws M13003

## generating the product code

FILTRO HPF Aisi 316			
AA BB CC D E FF			
AA	Attacchi / Connections	H0	IN/OUT 1/2" NPT-F
		L0	IN/OUT G 3/8-F
		N0	IN/OUT G 1/4-F
		P0	IN/OUT G 1/2-F
		Q0	IN/OUT G 3/4-F
		R0	IN/OUT G 1-F
		V0	IN/OUT 1/4" NPT-F
		W0	IN/OUT 3/8" NPT-F
		X0	IN/OUT 3/4" NPT-F
		Y0	IN/OUT 1" NPT-F
BB	Pressione ingresso / Inlet pressure	H0	PS 15 bar
		J0	PS 220 bar
CC	Tipologia di fluido / Fluid type	19	C2H2
		98	EPDM
		99	FPM
D	Filtrante / Filter	C	5µm AISI 316L
		H	50µm AISI 316L
		J	99.99% Coalescente
E	Marchiato / Marked	I	ID
		Z	Dir ATEX 94/9 CE
FF	Accessori / Accessories	00	Nessun accessorio

### CODE COMPOSITION EXAMPLE

**2B3# R0 J0 99 C I 00**

**2B3#:** HPF series stainless steel AISI 316 L filter

**R0:** Inlet and outlet connections G 1 - F

**J0:** Maximum inlet pressure 220 bar

**99:** FPM o-ring

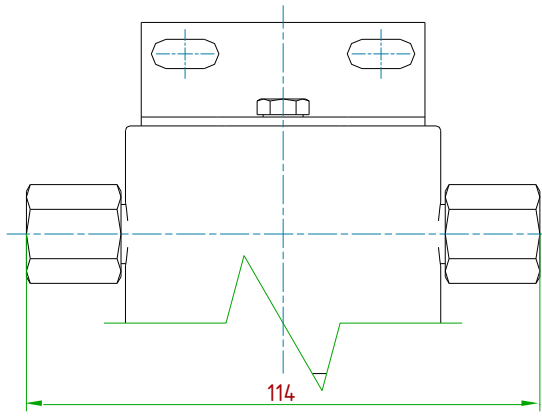
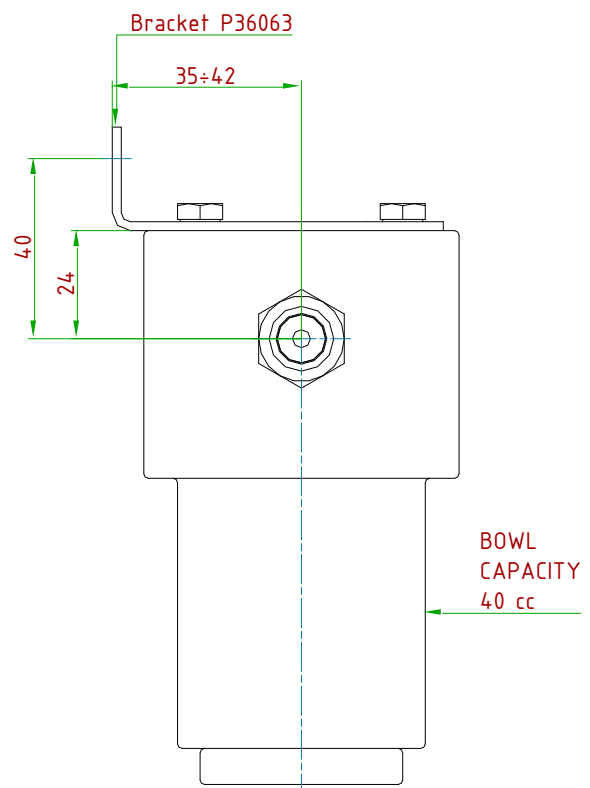
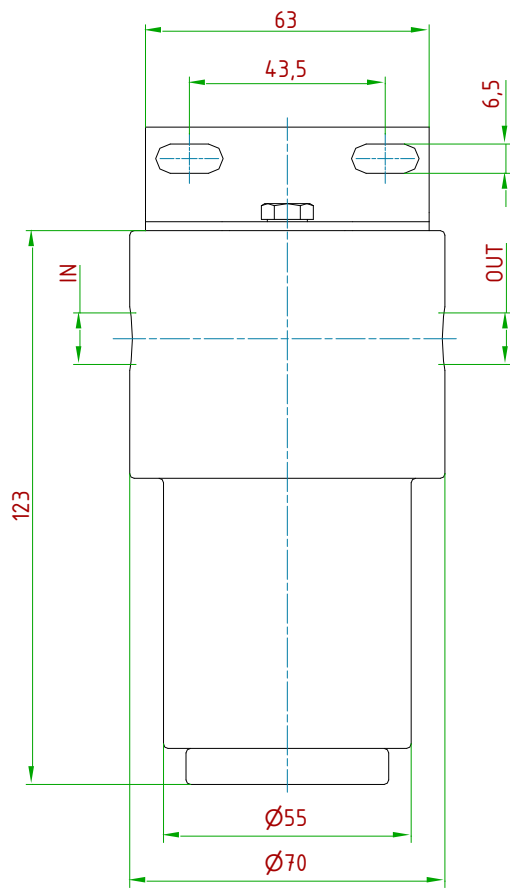
**C:** Filtration rate 5 µm

**I:** Insert Deal

**00:** No accessories

# technical drawings (all dimensions in mm)

Bracket to be ordered separately, kit order number: M13001

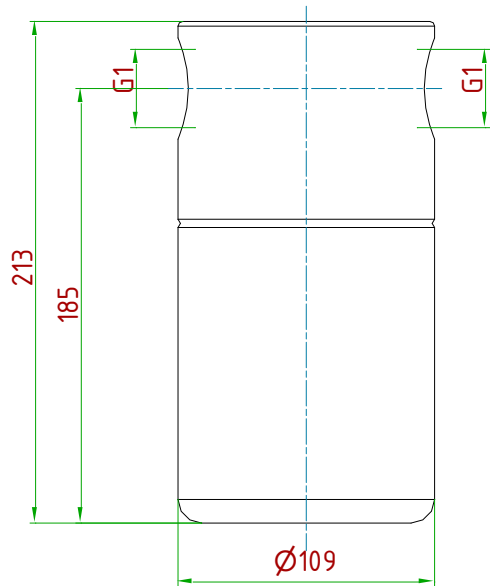


SOLO PER VERSIONE 1/4 NPT-F - 3/8 NPT-F

TYPE AISI 316L	IN/OUT
HPF314 1/4"GF	G 1/4-F
HPF338 3/8"GF	G 3/8-F
HPF312 1/2"GF	G 1/2-F
HPF314 1/4"NPTF	1/4"NPT-F
HPF338 3/8"NPTF	3/8"NPT-F
HPF312 1/2"NPTF	1/2"NPT-F

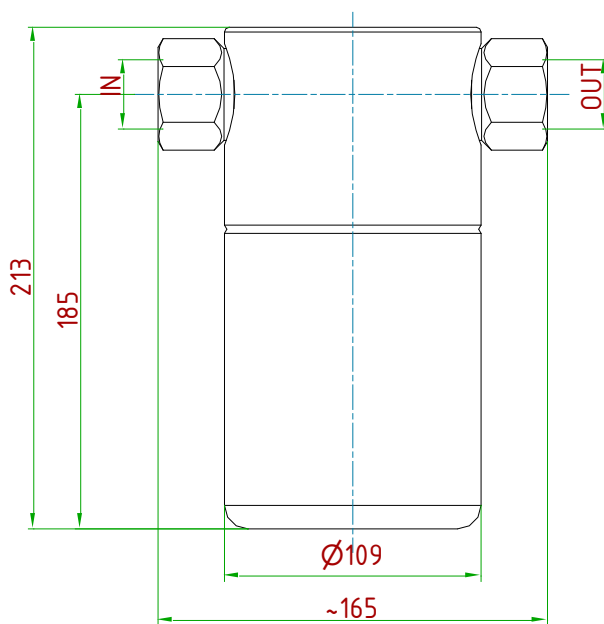
GAS FILTRATION	
CARTRIDGE	MATERIAL
5 µm	AISI 316L
50 µm	AISI 316L
0.01 µm 99.99%coalescing	-

# technical drawings (all dimensions in mm)



GAS FILTRATION	
CARTRIDGE	MATERIAL
5 µm	AISI 316L
50 µm	AISI 316L
0.01 µm 99.99% coalescing	/

TYPE	IN/OUT	NOTE
HPF310 1"GF	G 1-F	-
HPF334 3/4"GF	G 3/4-F	with nipples
HPF310 1"NPTF	1" NPT-F	with nipples
HPF334 3/4"NPTF	3/4" NPT-F	with nipples



TYPE:  
 1"NPT-F  
 G 3/4-F  
 3/4"NPT-F

BOWL CAPACITY 500cc

## **ID Insert Deal Srl**

Strada dei Boschi, 40  
20852 Villasanta (MB) Italia  
tel. +39 039 302035  
[info@idinsertdeal.com](mailto:info@idinsertdeal.com)  
[www.idinsertdeal.com](http://www.idinsertdeal.com)

ID Insert Deal si riserva il diritto di cambiare le specifiche del prodotto senza preavviso.  
ID Insert Deal reserves the right to change and/or modify product specifications without prior notice.

Insert Deal non si assume alcuna responsabilità per la scelta, uso e manutenzione di qualsiasi prodotto. La responsabilità per l'ideale scelta, uso e manutenzione di qualsiasi prodotto ID rimane interamente a carico dell'acquirente.  
Insert Deal does not assume responsibility for selection, use and maintenance of any products. Responsibility for proper selection, use and maintenance of any ID products remains entirely to the purchaser.

Riproduzione vietata. Tutti i diritti riservati; nessuna parte del presente documento può essere riprodotta senza autorizzazione di ID Insert Deal Srl.  
Reproduction forbidden. All rights reserved; the hereby document can't be reproduced, also partially, without the authorization of ID Insert Deal Srl.

**FILTER\_2B3(HPF314-HPF338-HPF312-HPF310-HPF334)\_EN\_01**



Azienda con sistema di gestione qualità certificato.  
**certificato N° 50 100 9191**  
Company with certificated quality management system.  
**certificate N° 50 100 9191**