

110F2

Medium pressure brass filters "serie 10", suitable for compressed air, gas and liquid



FEATURES

Filter for inlet pressure up to 50 bar (725 psi) in the standard version.

Inlet and outlet standard connections:

3/4"-F;

1"-F;

Conessioni a richiesta:

1"1/4-F;

1"1/2-F

e versioni NPT

made by flanges screwed to the body.

Connections with EN or ASME flanges available on request.

Standars filtration rate: 50 µm

On request filtration rate: 5µm, or coalescing (0.01 µm/99.99%).

Compressed air condensation drain:

up to 16 bar:

SAI (automatic)

SS (semiautomatic)

up to 30bar:

SM (manual drain)

TAPPO

Available the ATEX 2014/34/EU version.

Brand X II2GcIICTX

X II2DcIICTX.

For use in potentially explosive atmospheres zones: 1, 21, 2, 22 (not for mines and zone 0).

The product complies with the directive 2014/68/EU PED.

Available units composed of:

Filter + Regulator + Lubricator.

SPECIFICATIONS

Filter weight: ~4,3 kg (~9,48 lb)

Operating temperature: -20 °C ÷ +60 °C (-4 °F ÷ +140 °C)

Bowl capacity: 500 cc (16,9 US fl oz)

Automatic drain SAI: the condensate is drained before it reaches the filter cartridge.

Semi-automatic drain SS: the condensate is drained each time pressure is removed from the system.

Manual drain SM: the condensate is drained by the operator by means of a screw on the bottom of the cup.

MATERIALS

Body: brass

Bowl: stainless steel AISI 316L

Filter cartridge: bronze

O-Ring: NBR (different compounds available on request)

Automatic drain SAI: ottone + PUR

Semi-automatic drain SS: PA 6

Manual drain SM: ottone

ACCESSORIES

Wall mounting bracket kit

SPARE PARTS

Replacement kit including filter cartridges and O-Ring available on request

generating the product code

FILTRO SERIE 10 IN CW617N			
AA BB CC D EE F GG			
AA	Attacchi / Connections	Q0	G 3/4-F
		R0	G 1-F
BB	Pressione ingresso / Inlet pressure	D0	PS30bar
		E0	PS50bar
		H1	PS16bar
CC	Tipologia di fluido / Fluid type	15	O2
		18	EPDM x liquidi
		19	FPM x liquidi
		98	EPDM
		99	FPM
D	Filtrante / Filter	C	5µm
		H	50µm
		J	99.99% Coalescente
EE	Tazza+scarico / Bowl and drain	19	SAI
		20	SM
		21	TAPPO
F	Marchiato / Marked	I	ID
GG	Accessori / Accessories	00	Nessun accessorio

CODE COMPOSITION EXAMPLE

110F2# R0 E0 99 H 21 I 00

110F2#: Filter serie 10 CW617N

R0: Connection G1-F

E0: Inlet pressure up to 50 bar

99: FPM O-rings

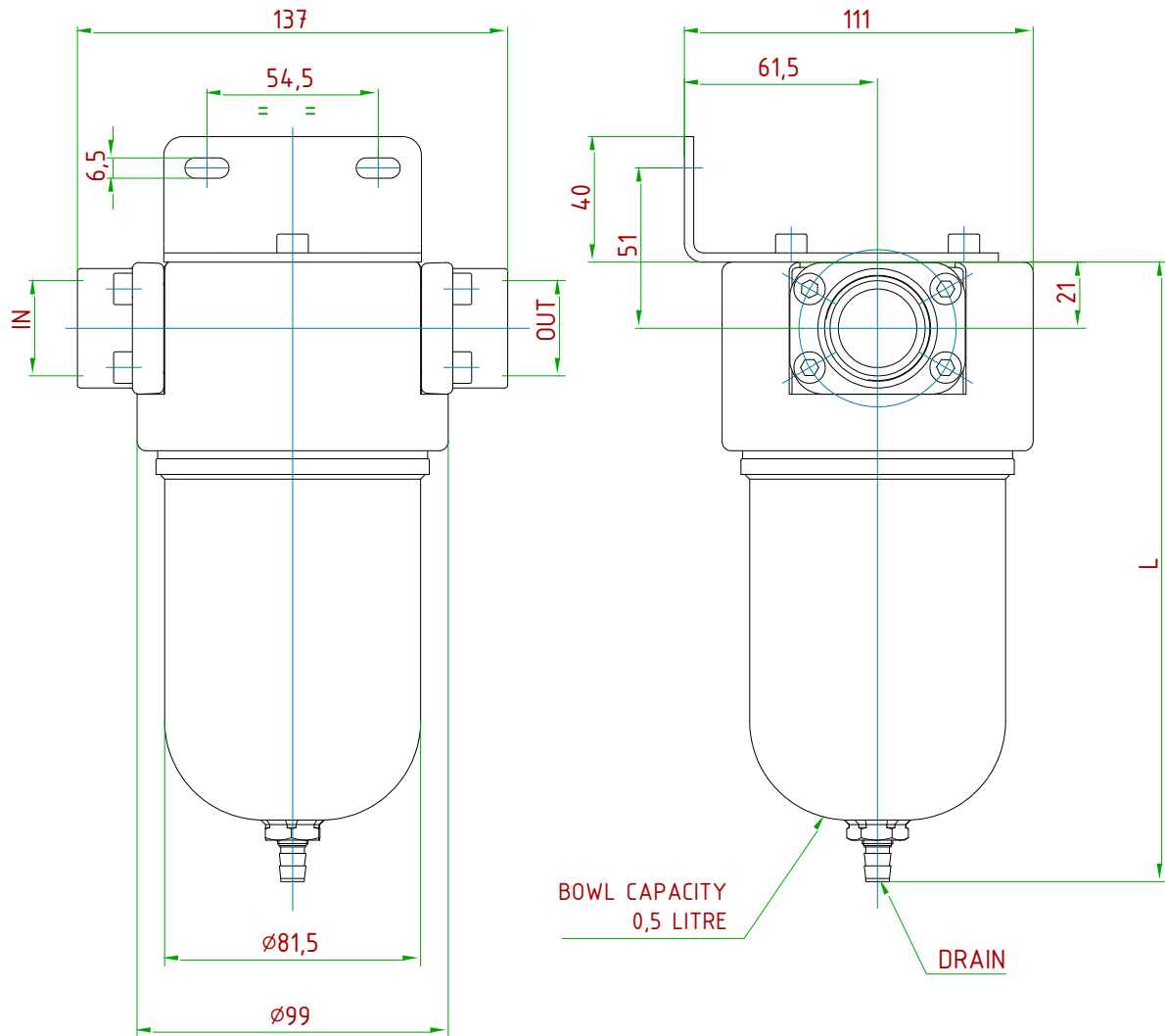
H: Filtration 50 µm

21: hexagonal CAP

I

00: No accessories

technical drawings (all dimensions in mm)



Bracket to be ordered separately,
kit order number M1H302

BOWL CAPACITY
0,5 LITRE

DRAIN

DRAIN	PS [bar]	L [mm]
AUTOMATIC	16	~197
MANUAL	30	~190
CAP	50	~189

TYPE	IN/OUT	FLANGE
310F2 G1	G1-F	P37083
310F2 G3/4	G3/4-F	P37085
310F2 1"NPT	1"NPT-F	P37084
310F2 3/4"NPT	3/4"NPT-F	P37086

GAS FILTRATION	
CARTRIDGE	MATERIAL
5 µm	Bronze
50 µm	Bronze
0,01 µm 99,99% coalescing	/

ID Insert Deal Srl

Strada dei Boschi, 40
20852 Villasanta (MB) Italia
tel. +39 039 302035
info@idinsertdeal.com
www.idinsertdeal.com

ID Insert Deal si riserva il diritto di cambiare le specifiche del prodotto senza preavviso.
ID Insert Deal reserves the right to change and/or modify product specifications without prior notice.

Insert Deal non si assume alcuna responsabilità per la scelta, uso e manutenzione di qualsiasi prodotto. La responsabilità per l'ideale scelta, uso e manutenzione di qualsiasi prodotto ID rimane interamente a carico dell'acquirente.

Insert Deal does not assume responsibility for selection, use and maintenance of any products. Responsibility for proper selection, use and maintenance of any ID products remains entirely to the purchaser.

Riproduzione vietata. Tutti i diritti riservati; nessuna parte del presente documento può essere riprodotta senza autorizzazione di ID Insert Deal Srl.
Reproduction forbidden. All rights reserved; the hereby document can't be reproduced, also partially, without the authorization of ID Insert Deal Srl.

FILTRO_110F2_EN_02



Azienda con sistema di gestione qualità certificato.
certificato N° 50 100 9191
Company with certificated quality management system.
certificate N° 50 100 9191