

FHPL138 – FHPL338

Brass and stainless steel high pressure filters,
suitable for gas and liquid



FEATURES

Filter for inlet pressure up to 220 bar (3191 psi) in the standard version.

FHPL 138: brass version suitable for not corrosive technical gas and liquid.

FHPL 338: stainless steel version suitable for liquid and technical gas, not for O₂.

The both versions body is made from the bar.

Inlet connection G 3/8 – F and outlet connection G 3/8 – M.

Other connections available on request.

Filter element is a 50 µm filtration disk shaped replaceable cartridge.

Available the EAC-EX TP TC 012/2011 versions for the Russian market.

The product complies with the directive 2014/68/EU PED.

SPECIFICATIONS

Filter weight: ~0.85 kg / ~1.87 lb (brass)

~0.65 kg / ~1.43 (stainless steel)

Standard version operating temperature: -20 °C ÷ +60 °C (-4 °F ÷ +140 °F)

Degree of protection: IP66

MATERIALS

FHPL 138

Body: brass

Filter cartridge: sintered bronze

O-Ring: EPDM / FPM (according to the fluid). Other compounds available on request.

FHPL 338

Body: AISI 316L

Filter cartridge: AISI 316L wire

O-Ring: EPDM / FPM (according to the fluid). Other compounds available on request.

ACCESSORIES

Inlet and outlet connections different from standard

UNI connections for cylinders

Manifold connections

Chrome-plated body

Maximum operating pressure different from standard

SPARE PARTS

Filter cartridges

Complete kit: filter cartridge and o-ring

generating the product code

Filtro alta pressione in linea			
A BB CC DD E F GG			
A	Materiale / Material	1	Ottone
		3	AISI 316L
BB	Attacchi / Connections	L0	G 3/8 M-F
CC	Pressione ingresso / Inlet pressure	J0	220 bar
DD	Tipologia di fluido / Fluid type	15	O2
		98	EPDM
E	Filtrante / Filter	G	50µm Bronzo
		M	50µm AISI 316L
F	Marchiato / Marked	I	ID
GG	Accessori / Accessories	00	Nessun accessorio

CODE COMPOSITION EXAMPLE

FHPL# 1 L0 J0 98 G I 00

FHPL#: FHPL filter

1: Brass

L0: Inlet connection G 3/8 – F and outlet connection G 3/8 – M

J0: Maximum inlet pressure 220 bar (3191 psi)

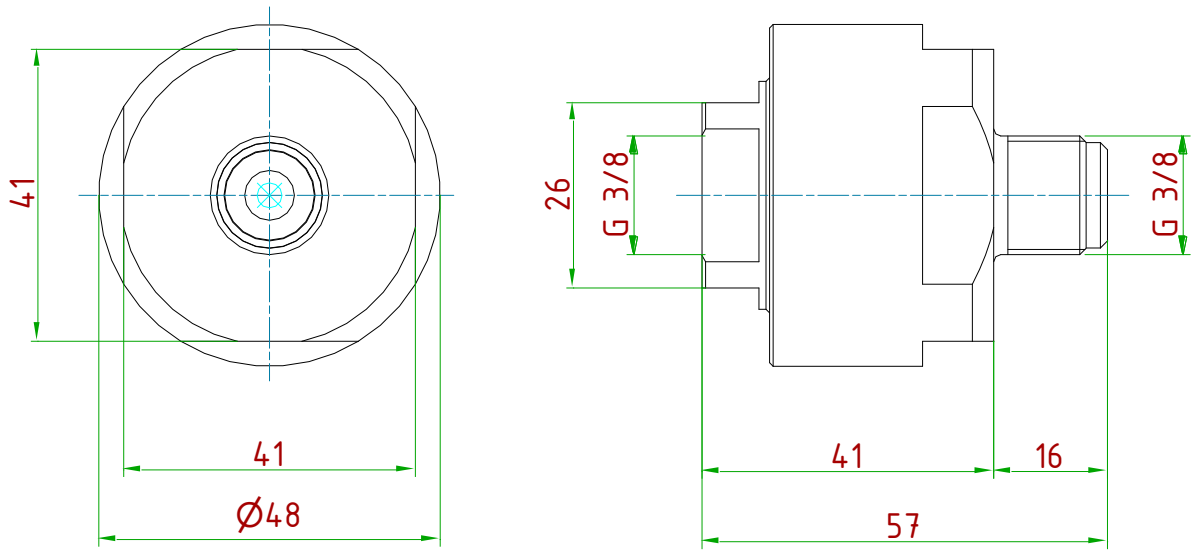
98: EPDM o-ring

G: Filtration rate 50 µm (bronze filter cartridge)

I: Brand Insert Deal

00: No accessories

technical drawings (all dimensions in mm)



TYPE	IN/OUT	MATERIAL	CARTRIDGE
FHPL138	G 3/8-F/M	BRASS	BRONZE
FHPL338	G 3/8-F/M	AISI 316L	AISI 316L

ID Insert Deal Srl

Strada dei Boschi, 40
20852 Villasanta (MB) Italia
tel. +39 039 302035
info@idinsertdeal.com
www.idinsertdeal.com

ID Insert Deal si riserva il diritto di cambiare le specifiche del prodotto senza preavviso.
ID Insert Deal reserves the right to change and/or modify product specifications without prior notice.

Insert Deal non si assume alcuna responsabilità per la scelta, uso e manutenzione di qualsiasi prodotto. La responsabilità per l'ideale scelta, uso e manutenzione di qualsiasi prodotto ID rimane interamente a carico dell'acquirente.

Insert Deal does not assume responsibility for selection, use and maintenance of any products. Responsibility for proper selection, use and maintenance of any ID products remains entirely to the purchaser.

Riproduzione vietata. Tutti i diritti riservati; nessuna parte del presente documento può essere riprodotta senza autorizzazione di ID Insert Deal Srl.
Reproduction forbidden. All rights reserved; the hereby document can't be reproduced, also partially, without the authorization of ID Insert Deal Srl.

FILTER_FHPL(FHPL138-FHPL338)_EN_02



Azienda con sistema di gestione qualità certificato.
certificato N° 50 100 9191
Company with certificated quality management system.
certificate N° 50 100 9191