

# F15M – F20M

Brass filters,  
suitable for gas and liquid



## FEATURES

Filter for inlet pressure up to 50 bar (725 psi).

Inlet and outlet connections 1" 1/2" – F and 2" – F. Other connections available on request.

Brass body and drawn stainless steel AISI 316L bowl.

Standard filtration rate 5 or 50 µm.

Condensation drain: automatic drain SAI for pressure up to 16 bar (232 psi), manual for pressure up to 30 bar (435 psi), hexagonal cap for pressure up to 50 bar (725 psi).

Available the EAC TP TC 032/2013 or EAC-EX TP TC 012/2011 versions for the Russian market.

The product complies with the directive 2014/68/EU PED.

Available units composed of:  
Filter + Regulator + Lubricator

## **SPECIFICATIONS**

Filter weight: ~11.2 kg (~24.7 lb)

Standard version operating temperature: -20 °C ÷ +60 °C (-4 °F ÷ +140 °C)

Degree of protection: IP56, IP66 for cap drain version

Bowl capacity: 1000 cc (33,8 US fl oz)

Automatic drain SAI: drains the condensate before builds up to the filter cartridge (only for air version and PS=16 bar)

## **MATERIALS**

Body: brass

Bowl: stainless steel AISI 316L

Internal parts: brass / stainless steel AISI 316L

Filter cartridge: bronze

O-Ring: NBR / EPDM / FPM according to the fluid

Condensation drain: brass

## **ACCESSORIES**

Wall mounting bracket kit

## **SPARE PARTS**

Filter cartridges

Manual drain (with NBR o-ring)

Automatic drain

Complete kit: filter cartridge and o-ring

## generating the product code

F15M - F20M OTTONE			
AA BB CC D E FF			
AA	Attacchi / Connections	S0	F15M G1"1/2-F
		T0	F20M G2"-F
BB	Tipologia di fluido / Fluid type	15	O2 CAT II
		97	NBR CAT I
		98	EPDM CAT I
		99	FPM CAT I
CC	Tazza/Bowl	18	Tazza imbutita AISI 316L SAI 16 bar
		20	Tazza imbutita AISI 316L SM 30 bar
		21	Tazza imbutita AISI 316L TAPPO 50 bar
D		D	5µm Bronzo
		G	50µm Bronzo
E	Marchiato / Marked	I	ID
FF	Accessori/Accessories	00	Nessun accessorio

## CODE COMPOSITION EXAMPLE

**251# T0 15 21 D I 00**

**251#:** Series M brass filter

**T0:** Connections G 2 - F

**97:** NBR o-ring

**21:** Cap version, PS=50 bar (725 psi)

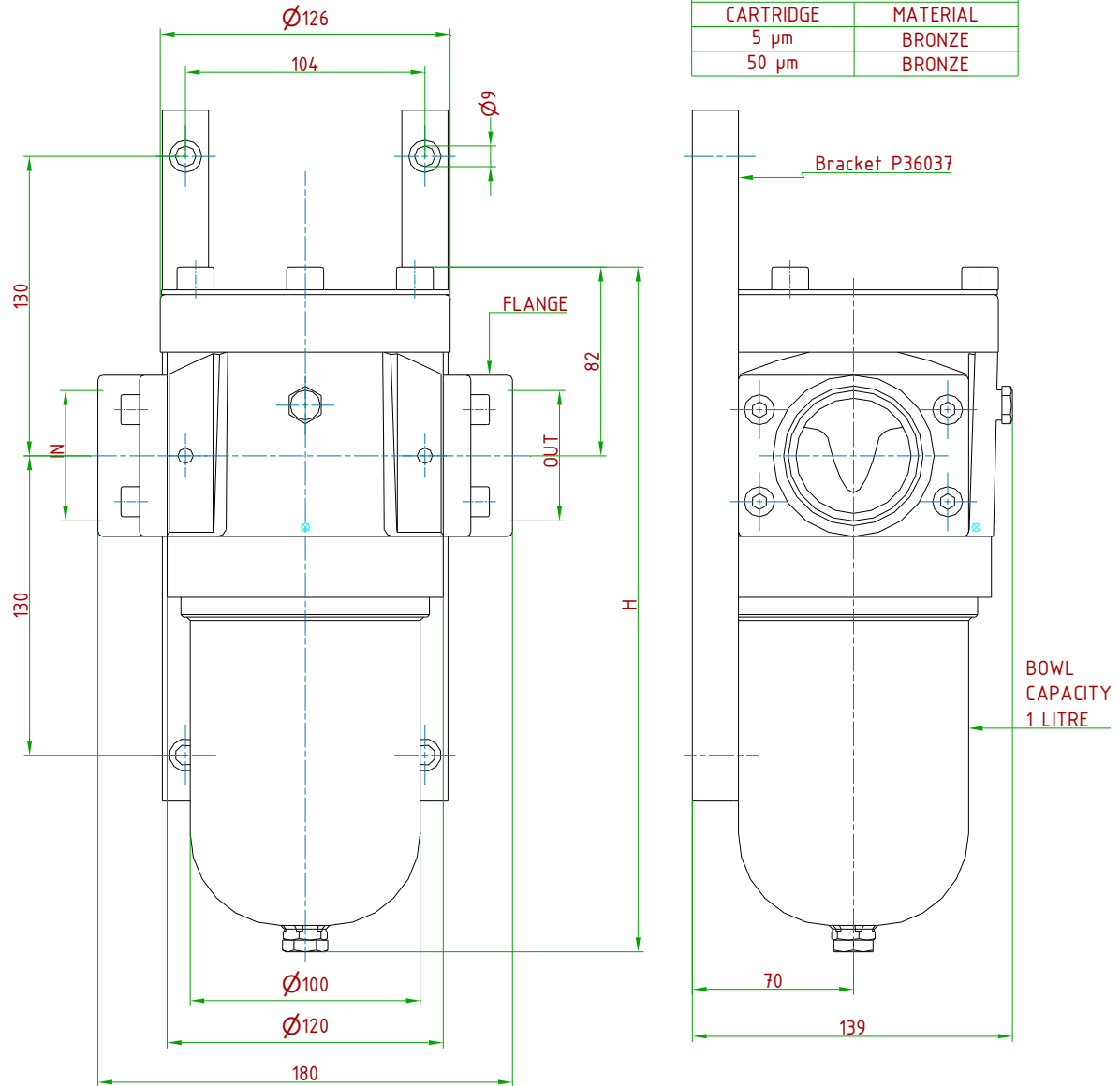
**D:** Filtration rate 5 µm

**I:** Insert Deal

**00:** No accessories

# technical drawings (all dimensions in mm)

Bracket to be ordered separately, Kit order number: M11202



GAS FILTRATION	
CARTRIDGE	MATERIAL
5 µm	BRONZE
50 µm	BRONZE

Kit includes: flange, screws and o-ring

TYPE	IN/OUT	FLANGE	KIT NBR	KIT FPM FOR O2	KIT EDPM
F15M G 1 1/2"	G1 1/2-F	P37044	M21101	M21105	-
F20M 2" GF	G2-F	P37045	-	M21106	M21104
F15M 1 1/2" NPTF	1 1/2" NPT-F	P37046	-	-	-
F20M 2" NPTF	2" NPT-F	P37047	-	-	-

PS [bar]	DRAIN	H
16	Automatic	~305
30	Manual	~300
50	Cap	~297

## **ID Insert Deal Srl**

Strada dei Boschi, 40  
20852 Villasanta (MB) Italia  
tel. +39 039 302035  
[info@idinsertdeal.com](mailto:info@idinsertdeal.com)  
[www.idinsertdeal.com](http://www.idinsertdeal.com)

ID Insert Deal si riserva il diritto di cambiare le specifiche del prodotto senza preavviso.  
ID Insert Deal reserves the right to change and/or modify product specifications without prior notice.

Insert Deal non si assume alcuna responsabilità per la scelta, uso e manutenzione di qualsiasi prodotto. La responsabilità per l'ideale scelta, uso e manutenzione di qualsiasi prodotto ID rimane interamente a carico dell'acquirente.  
Insert Deal does not assume responsibility for selection, use and maintenance of any products. Responsibility for proper selection, use and maintenance of any ID products remains entirely to the purchaser.

Riproduzione vietata. Tutti i diritti riservati; nessuna parte del presente documento può essere riprodotta senza autorizzazione di ID Insert Deal Srl.  
Reproduction forbidden. All rights reserved; the hereby document can't be reproduced, also partially, without the authorization of ID Insert Deal Srl.

**FILTER\_251(F15M-F20M)\_EN\_02**



Azienda con sistema di gestione qualità certificato.  
**certificato N° 50 100 9191**  
Company with certificated quality management system.  
**certificate N° 50 100 9191**