

310F1

AISI 316L high pressure filters, suitable for gas and liquid



FEATURES

Filter for inlet pressure up to 220 bar (3190 psi) in the standard version.

Available connections

G3/4-M;
G1-M;
3/4" NPT-M;
1" NPT-M.

Other connections available on request.

Replaceable filter element: 5 μm or 50 μm
or coalescing (0,01 μm /99,99%) .

The product complies with the directive
2014/68/EU (PED).

SPECIFICATIONS

Filter weight: ~11,33 Kg (24,9 lb)

Operating temperature: -20 °C ÷ +60 °C (-4 °F ÷ +140 °F) for standard version

Degree of protection: IP66

Bowl capacity: 220cc (7.43 fluid ounces)

Acetylene version: maximum operating pressure 15 bar

MATERIALS

Body: AISI 316L

Bowl: AISI 316L

Internal parts: AISI 316L

O-Ring: FPM or EPDM according to the fluid (other compounds available on request)

Filter cartridges 5 and 50 µm: sintered AISI 316L

SPARE PARTS

Filter cartridges

Complete kit: filter cartridge, O-rings

generating the product code

Filtro alta pressione AISI 316L/ High pressure AISI 316L filter			
AA BB CC D EE FF			
AA	Attacchi / Connections	QM	G3/4-M
		RM	G1-M
BB	Pressione d'ingresso / Inlet pressure	J0	PS 220bar
CC	Tipologia di fluido / Type of fluid	98	EPDM
		99	FPM
D	Grado di filtrazione/ Filtration rate	C	5µm
		H	50µm
EE	Marchiato / Marked	I0	Insert Deal
FF	Accessori / Accessories	00	Nessun accessorio / No accessories

ESEMPIO COMPOSIZIONE CODICE

310F1# RM J0 99 H I0 00

RM : G1-M

J0 : PS 220bar

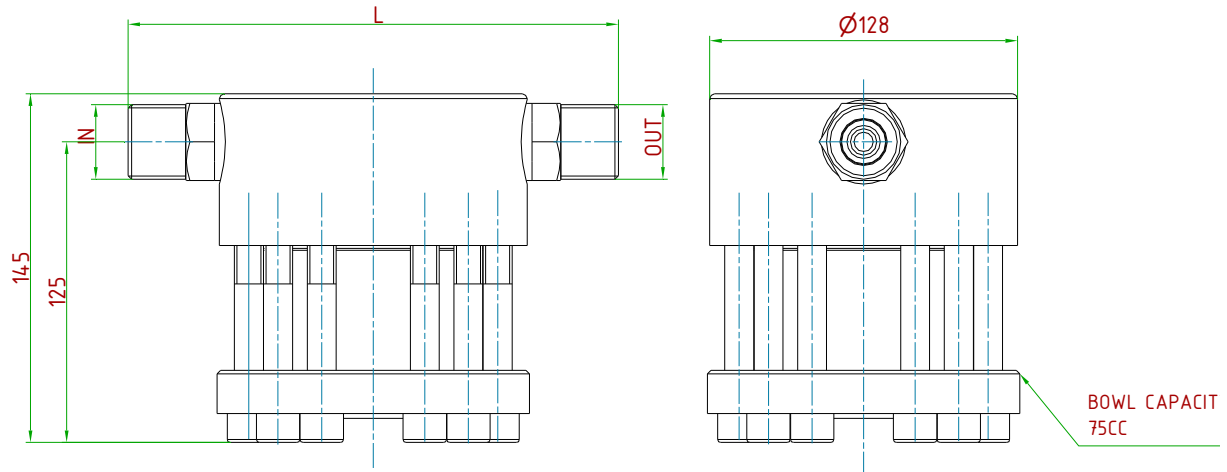
99 : FPM

H : 50µm

I0 : Insert Deal

00 : Nessun accessorio / No accessories

tecnicah drawings (all dimensions in mm)



MODEL	IN/OUT	L [mm]
110F1/310F1 G3/4"	G3/4"-M	~196
110F1/310F1 3/4"NPT	3/4"NPT-M	~196
110F1/310F1 G1"	G1"-M	~204
110F1/310F1 1"NPT	1"NPT-M	~204

ID Insert Deal Srl

Strada dei Boschi, 40
20852 Villasanta (MB) Italia
tel. +39 039 302035
info@idinsertdeal.com
www.idinsertdeal.com

ID Insert Deal si riserva il diritto di cambiare le specifiche del prodotto senza preavviso.
ID Insert Deal reserves the right to change and/or modify product specifications without prior notice.

Insert Deal non si assume alcuna responsabilità per la scelta, uso e manutenzione di qualsiasi prodotto. La responsabilità per l'ideale scelta, uso e manutenzione di qualsiasi prodotto ID rimane interamente a carico dell'acquirente.
Insert Deal does not assume responsibility for selection, use and maintenance of any products. Responsibility for proper selection, use and maintenance of any ID products remains entirely to the purchaser.

Riproduzione vietata. Tutti i diritti riservati; nessuna parte del presente documento può essere riprodotta senza autorizzazione di ID Insert Deal Srl.
Reproduction forbidden. All rights reserved; the hereby document can't be reproduced, also partially, without the authorization of ID Insert Deal Srl.

FILTER_310F1_EN_01



Azienda con sistema di gestione qualità certificato.
certificato N° 50 100 9191
Company with certificated quality management system.
certificate N° 50 100 9191