

# F14MD – F18MD

Modular filters,  
suitable for compressed air



## FEATURES

Filter for inlet pressure up to 30 bar (435 psi).

Inlet and outlet connections G 1/4 – F and G 1/8 – F. Other connections available on request.

Zinc alloy body, zinc alloy or transparent plastic bowl.

Modular design to couple with same series: regulator and lubricator.

Holes for wall mounting.

Standard filtration rate 20 µm, 5 µm or coalescing (0.01 µm/99.99%) available on request.

Manual or semiautomatic condensate drain available.

The product complies with the directive 2014/68/EU PED.

Available on request:  
ATEX 2014/34/EU  
EAC-EX TP TC 012/2011 versions for the Russian market.

Available units composed of:  
Filter+Regulator + Lubricator.

## **SPECIFICATIONS**

Filter weight: ~0.23 kg (~0.5 lb)

Standard version operating temperature: -10 °C ÷ +50 °C (+14 °F ÷ +122 °F)

Transparent bowl capacity: 19 cc / 30 cc / 45 cc (0,6 / 1 / 1,5 US fl oz)

Metallic bowl capacity: 45 cc (1,5 US fl oz)

Manual or semiautomatic condensate drain: semiautomatic drains the condensate every time the downstream pressure is dumped.

Condensate level display, for metallic bowl and 20 bar maximum inlet pressure.

## **MATERIALS**

Body: Zinc alloy

Bowl: Zinc alloy or transparent plastic "CAB"

Filter cartridge: PE (5 and 20 µm versions)

O-Ring: NBR

Manual drain: Brass

Semiautomatic drain: PA6

## **SPARE PARTS**

Semiautomatic drain: C55003110304

Manual drain: M42210

Filter cartridges

Complete kit: filter cartridge and o-ring

Condensate level display: C6001950311

## generating the product code

F. MD			
AA BB CC D E FF			
AA	Attacchi / Connections	M0	G 1/8
		N0	G 1/4
		U0	1/8" NPT
		V0	1/4" NPT
BB	Tipologia di fluido / Fluid type	97	NBR
		98	EPDM
		99	FPM
CC	Tazza / Bowl	01	Tazza LL SS - 16 bar - 45 cc
		02	Tazza LL SM - 20 bar 45 cc
		04	Tazza LL SM NV - 30 bar - 45 cc
		07	Tazza trasp SS - 45cc - 12 bar
D	Filtrante / Filter	A	5µm
		B	20µm
		J	99.99% Coalescente
E	Marchiato / Marked	I	ID
FF	Accessori / Accessories	00	Nessun accessorio

## CODE COMPOSITION EXAMPLE

**215# N0 97 11 B I 00**

**215#:** MD filter

**N0:** Connection G 1/4

**97:** NBR o-ring

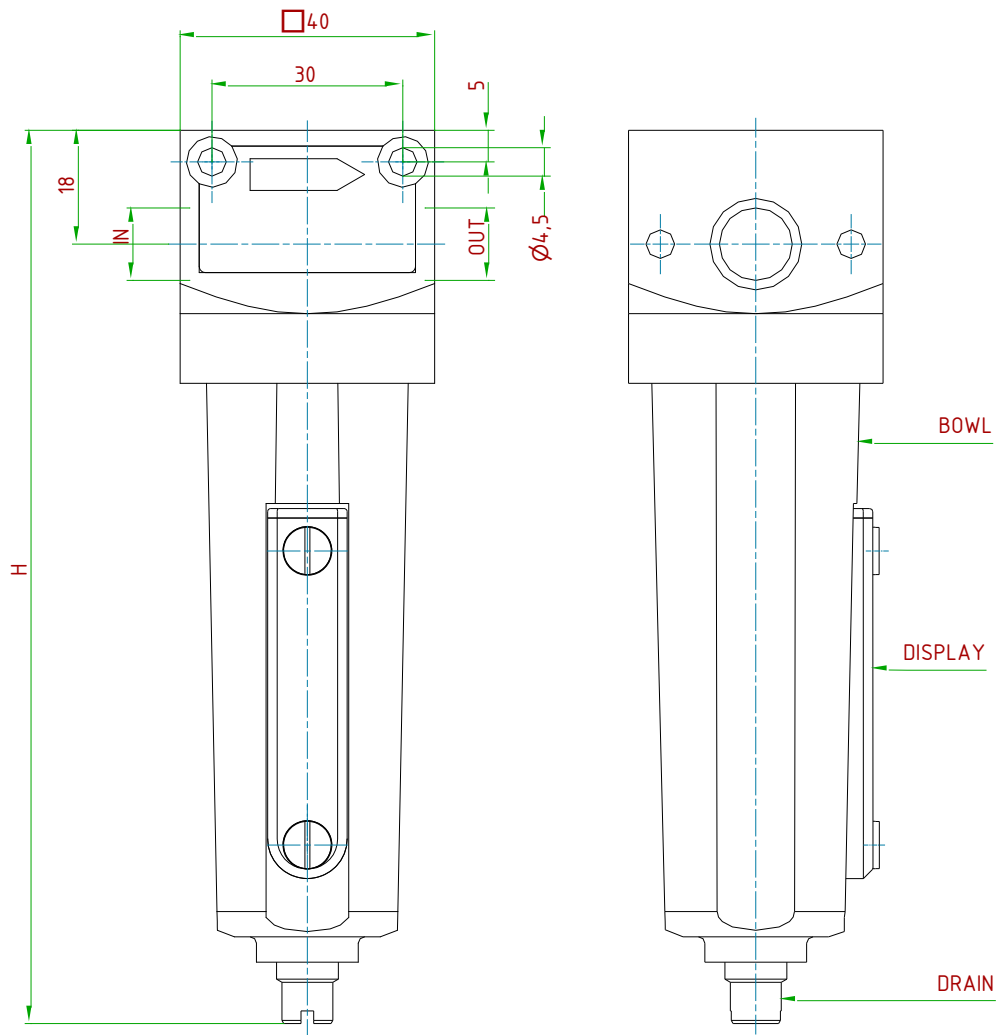
**07:** trasparente bowl 45 cc, semiautomatic drain, PS=12 bar (174 psi)

**B:** Filtration rate 20 µm

**I:** Brand Insert Deal

**00:** No accessories

# technical drawings (all dimensions in mm)



TYPE		IN/OUT		GAS FILTRATION	
				CARTRIDGE	MATERIAL
F14 MD	1/4"GF	G	1/4"-F	5 µm	PE
F18 MD	1/8"GF	G	1/8"-F	20 µm	PE
F14 MD	1/4"NPTF	1/4"	NPT-F	50 µm	BRONZE
F18 MD	1/8"NPTF	1/8"	NPT-F	0.01µm 99.99% coalescing	-

PS [bar]	BOWL CAPACITY	BOWL	DRAIN	NOTE	H
12	45 cc	TRANSPARENT	SEMI-AUTOMATIC	-	~140
12	45 cc	TRANSPARENT	MANUAL	-	~136
12	30 cc	TRANSPARENT	PUSH VALVE	-	~110
12	30 cc	TRANSPARENT	SEMI-AUTOMATIC	-	~113
12	30 cc	TRANSPARENT	MANUAL	-	~108
12	45 cc	TRANSPARENT	NO DRAIN	-	~126
12	19 cc	TRANSPARENT	MANUAL	-	~87
16	45 cc	ZINC ALLOY	SEMI-AUTOMATIC	-	~146
20	45 cc	ZINC ALLOY	MANUAL	-	~141
20	45 cc	ZINC ALLOY	NO DRAIN	-	~132
30	45 cc	ZINC ALLOY	MANUAL	NO DISPLAY	~141
30	45 cc	ZINC ALLOY	NO DRAIN	NO DISPLAY	~132

## **ID Insert Deal Srl**

Strada dei Boschi, 40  
20852 Villasanta (MB) Italia  
tel. +39 039 302035  
[info@idinsertdeal.com](mailto:info@idinsertdeal.com)  
[www.idinsertdeal.com](http://www.idinsertdeal.com)

ID Insert Deal si riserva il diritto di cambiare le specifiche del prodotto senza preavviso.  
ID Insert Deal reserves the right to change and/or modify product specifications without prior notice.

Insert Deal non si assume alcuna responsabilità per la scelta, uso e manutenzione di qualsiasi prodotto. La responsabilità per l'ideale scelta, uso e manutenzione di qualsiasi prodotto ID rimane interamente a carico dell'acquirente.

Insert Deal does not assume responsibility for selection, use and maintenance of any products. Responsibility for proper selection, use and maintenance of any ID products remains entirely to the purchaser.

Riproduzione vietata. Tutti i diritti riservati; nessuna parte del presente documento può essere riprodotta senza autorizzazione di ID Insert Deal Srl.  
Reproduction forbidden. All rights reserved; the hereby document can't be reproduced, also partially, without the authorization of ID Insert Deal Srl.

**FILTER\_215(F14MD-F18MD)\_EN\_03**



Azienda con sistema di gestione qualità certificato.  
**certificato N° 50 100 9191**  
Company with certificated quality management system.  
**certificate N° 50 100 9191**