

310FR

Stainless steel AISI 316L filter regulator "serie 10"
for air, gas and liquids



FEATURES

Filter regulator for inlet pressure up to 30 bar (435 psi) in the standard execution.

Connections $\frac{3}{4}$ "-F , 1"-F , 1"1/4-F and 1"1/2-F, by flanges screwed to the body . Other connections available on request.

Outlet pressure is controlled by a piston in stainless steel (AISI 316L).

Main valve is balanced.

Available with filtration: 5 μ m or 50 μ m.

Available versions with automatic drain SAI (up to 16 bar) or manual drain SM (up to 30 bar). Hexagonal cap drain for inlet pressure greater than 30 bar and for gas and liquids versions.

Relieving in the standard execution.

Available the ATEX 2014/34/EU version.

Brand $\text{CE} \text{ II2GclICTX}$

$\text{CE} \text{ II2DclICTX}$.

For use in potentially explosive atmospheres zones: 1, 21, 2, 22 (not for use in mines and zone 0).

Available the EAC-EX TP TC 012/2011 versions for the Russian market.

The product complies with the directive 2014/68/EU (PED).

Available units composed of:
Filter + Regulator + Lubricator

SPECIFICATIONS

Weight: ~5,8 Kg (~12,8 lb)

Operating temperature: -20°C ÷ +80°C (-4°F ÷ +176°F) for standard execution

Seat leakage classification: VI (bubble tight)

Flow coefficient: Kv= 3 Nm³/h

Degree of protection: IP25

Bowl capacity: 500 cc (17 fluid ounces)

G $\frac{1}{4}$ ports for outlet pressure gauge

Overpressure relieving function (not for gas and liquids)

MATERIALS

Body, bowl and bonnet: stainless steel AISI 316L

Internal parts: stainless steel AISI 316L

Filter cartridges 5 and 50 μ m: AISI 316L

Main valve spring: stainless steel AISI 302

Adjusting spring: C85 nickel plated NiP/Fe 15 μ m, not in contact with the fluid

Piston: stainless steel AISI 316L

O-Rings: FPM (other compounds available on request)

Main valve gasket:

FPM (other compounds available on request)

ACCESSORIES

Gauges: accuracy class 1,6

Lock-nut

Bracket and lock-nut Kit

Automatic drain

Not balanced main valve

Not relieving version

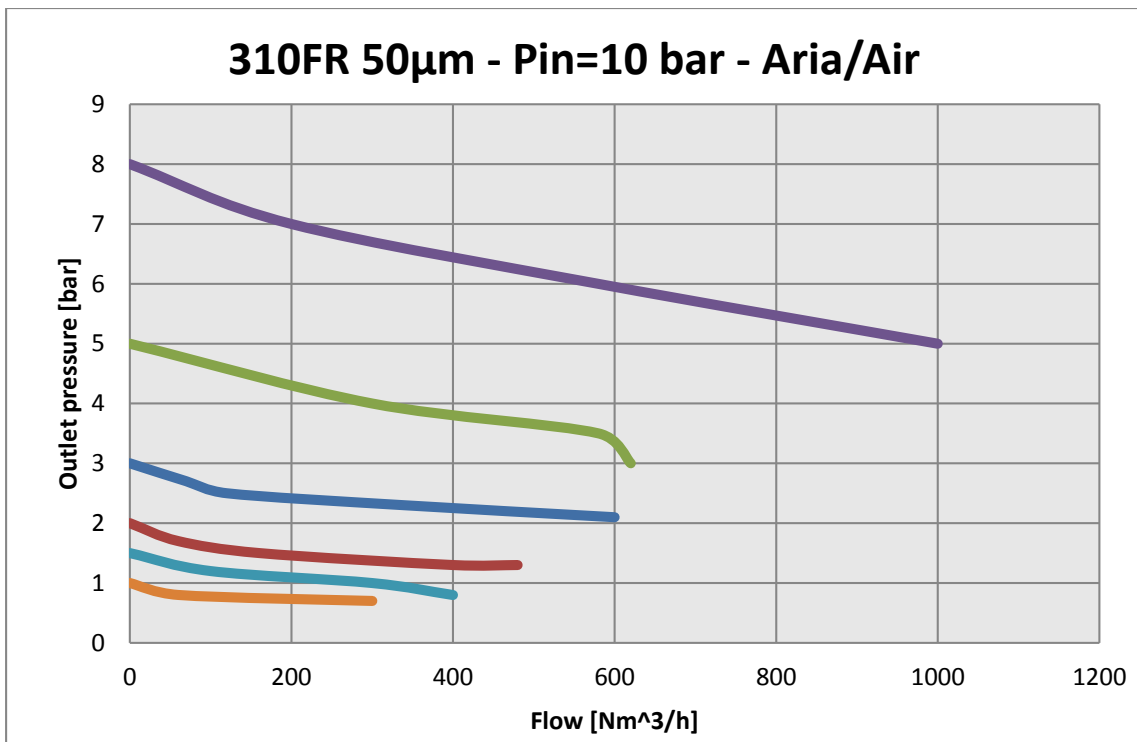
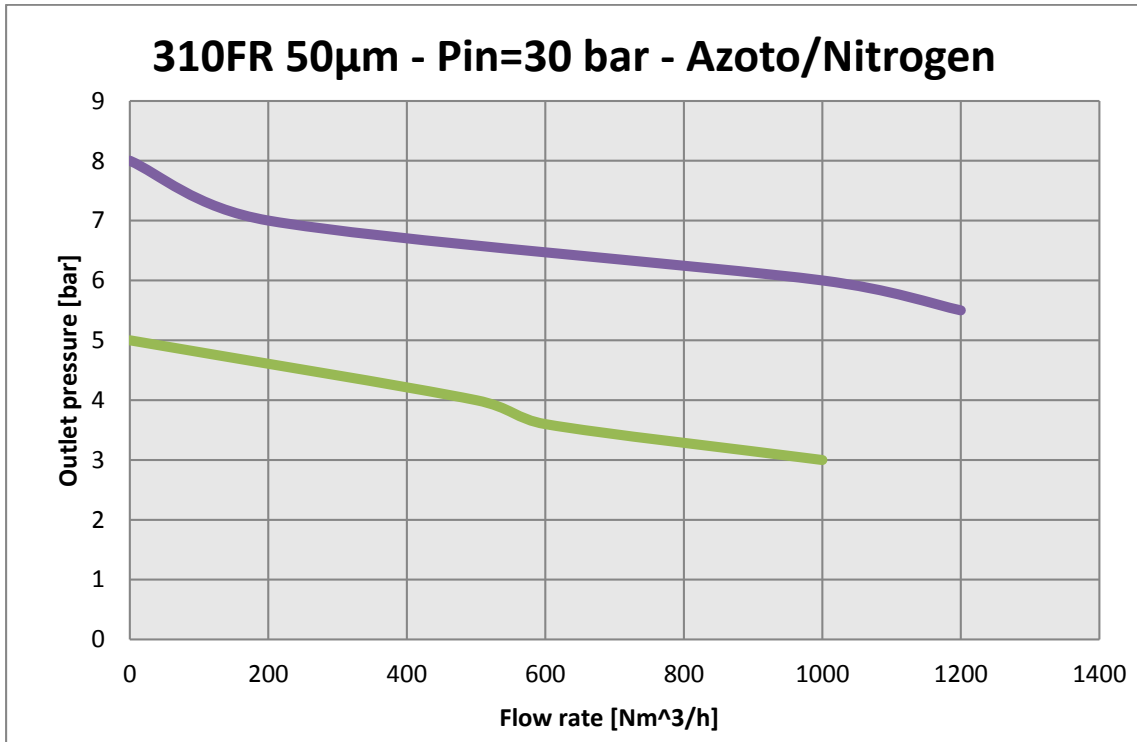
SPARE PARTS

Gauges

Filter elements

Complete Kit: filter element. O-rings. complete main valve

flow charts



order table

FR serie 10 AISI 316L			
AA BB CC D EE F GG			
AA	Attacchi / Connections	Q0	G 3/4-F
		R0	G 1-F
		J0	G 1 1/4-F
		S0	G 1 1/2-F
BB	Pressione d'ingresso / Inlet pressure	D0	PS 30 bar
		E0	PS 50 bar
		H1	PS 16 bar
CC	Intervallo d'uscita/ Outlet range	D0	Pout 0,8 - 8 bar
		E0	Pout 1,5 - 15 bar
D	Filtrante / Filter	C	5µm
		H1	50µm
EE	Tazza + scarico / Bowl + drain	19	SAI
		20	SM
		21	Tappo
F	Marchiato / Marked	I	ID
		Z	Dir ATEX 2014/34/EU
GG	Accessori/Accessories	00	Nessun accessorio

CODE COMPOSITION EXAMPLE

310FR# R0 D0 D0 H 20 I 00

310FR#: Filter regulator "serie 10" AISI 316L

R0: Connection G1-F

D0: Maximum inlet pressure 30 bar

D0: Outlet pressure range 0,8-8 bar

H: Filtration 50 µm

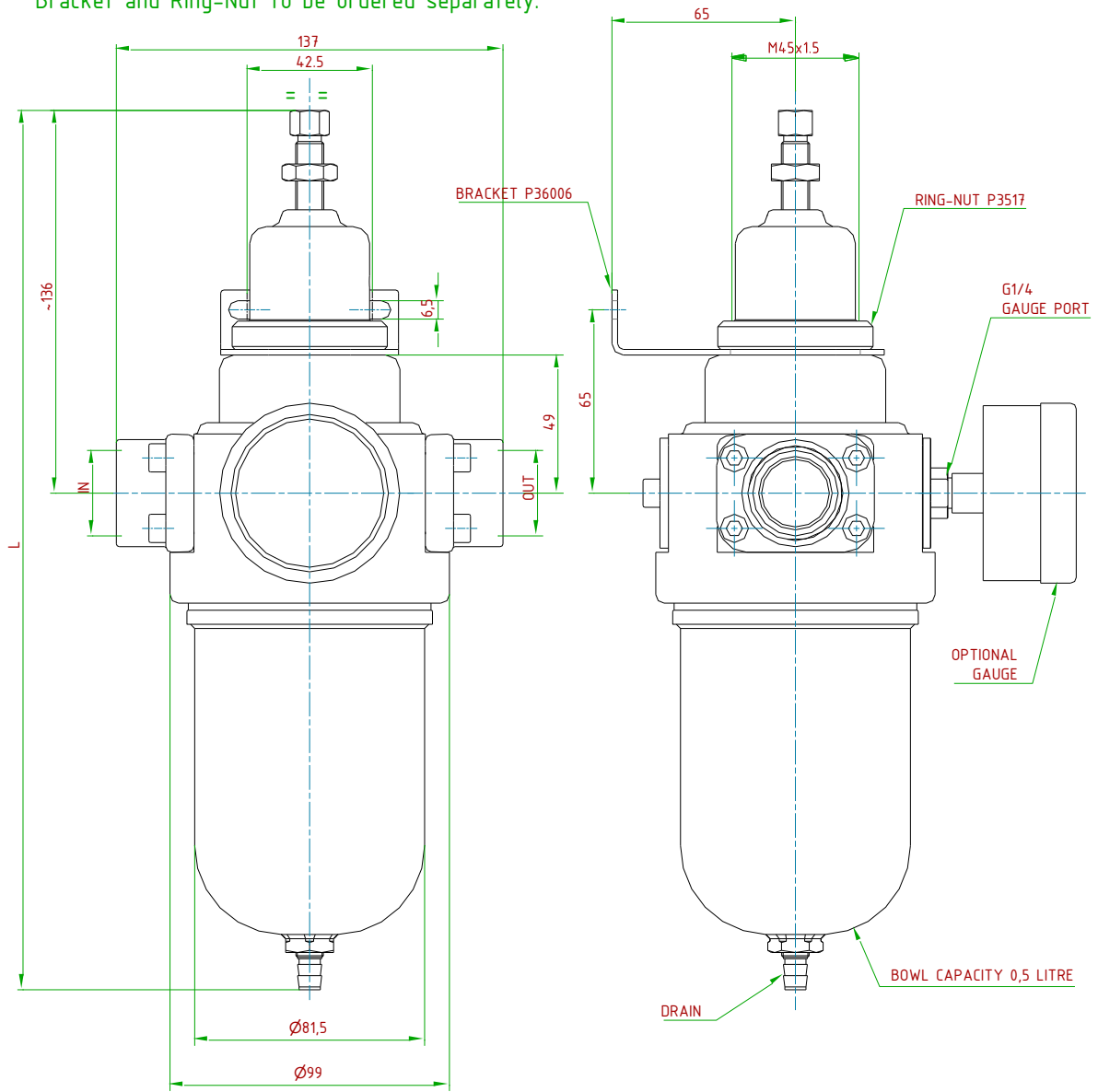
20: SM manual drain

I: ID

00: No accessories

technical drawings (all dimensions in mm)

Bracket and Ring-Nut to be ordered separately.



PS [bar]	DRAIN	L [mm]
16	AUTOMATIC	~312
30	MANUAL	~305
50	CAP	~304

GAS FILTRATION	
CARTRIDGE	MATERIAL
5 µm	AISI 316L
50 µm	AISI 316L

TYPE	IN/OUT	FLANGE
310FR G1F	G1-F	P37083
310FR G3/4	G3/4-F	P37085
310FR 1"NPT	1"NPT-F	P37084
310FR 3/4"NPT	3/4"NPT-F	P37086

ID Insert Deal Srl

Strada dei Boschi, 40
20852 Villasanta (MB) Italia
tel. +39 039 30 2035
info@idinsertdeal.com
www.idinsertdeal.com

ID Insert Deal si riserva il diritto di cambiare le specifiche del prodotto senza preavviso.
ID Insert Deal reserves the right to change and/or modify product specifications without prior notice.

Insert Deal non si assume alcuna responsabilità per la scelta, uso e manutenzione di qualsiasi prodotto. La responsabilità per l'ideale scelta, uso e manutenzione di qualsiasi prodotto ID rimane interamente a carico dell'acquirente.
Insert Deal does not assume responsibility for selection, use and maintenance of any products. Responsibility for proper selection, use and maintenance of any ID products remains entirely to the purchaser.

Riproduzione vietata. Tutti i diritti riservati; nessuna parte del presente documento può essere riprodotta senza autorizzazione di ID Insert Deal Srl.
Reproduction forbidden. All rights reserved; the hereby document can't be reproduced, also partially, without the authorization of ID Insert Deal Srl.

FILTER REGULATOR_310FR_EN_03



Azienda con sistema di gestione qualità certificato.
certificato N° 50 100 9191
Company with certificated quality management system.
certificate N° 50 100 9191