

FR12MD – FR38MD

Modular filter-regulators,
suitable for compressed air



FEATURES

Filter-regulator for inlet pressure up to 30 bar (435 psi).

Inlet and outlet connections 1/2" – F and 3/8" – F in the body.

Outlet pressure is controlled by a rubber diaphragm.

Balanced main valve.

Cast aluminium body and bowl, plastic bonnet.

Modular design to couple with same series: lubricator.

Holes for wall mounting.

Pressure adjusting knob with lock system.

Overpressure relieving function.

Filtration rate: 5 or 50 µm.

The product complies with the directive 2014/68/EU PED.

Available on request:

ATEX 2014/34/EU

EAC-EX TP TC 012/2011 versions for the Russian market.

Available units composed of:

Filter-Regulator + Lubricator.

SPECIFICATIONS

Filter-regulator weight: ~0.9 kg (~1.98 lb)

Standard version operating temperature: -10 °C ÷ +50 °C (+14 °F ÷ +122 °F)

Main valve leakage classification: VI (bubble tight)

Flow coefficient: Kv= 2.99

Bowl capacity: 180 cc (6 US fl oz)

G $\frac{1}{4}$ port for outlet pressure gauge on both sides

Condensate level display for inlet pressure up to 20 bar

Automatic drain SAI for pressure up to 16 bar: drain the condensate before builds up to the filter element

Semi-automatic drain SS for pressure up to 16 bar: drain the condensate every time downstream pressure is dumped

MATERIALS

Body and bowl: aluminium casting

Bonnet: PA 6 / POM

Main valve spring and adjusting spring: C85

Diaphragm and o-rings: NBR

Main valve gasket: NBR

Filter cartridge: bronze

ACCESSORIES

Ring-nut for panel mounting

Bracket + ring-nut for wall mounting (10 pcs)

Gauge

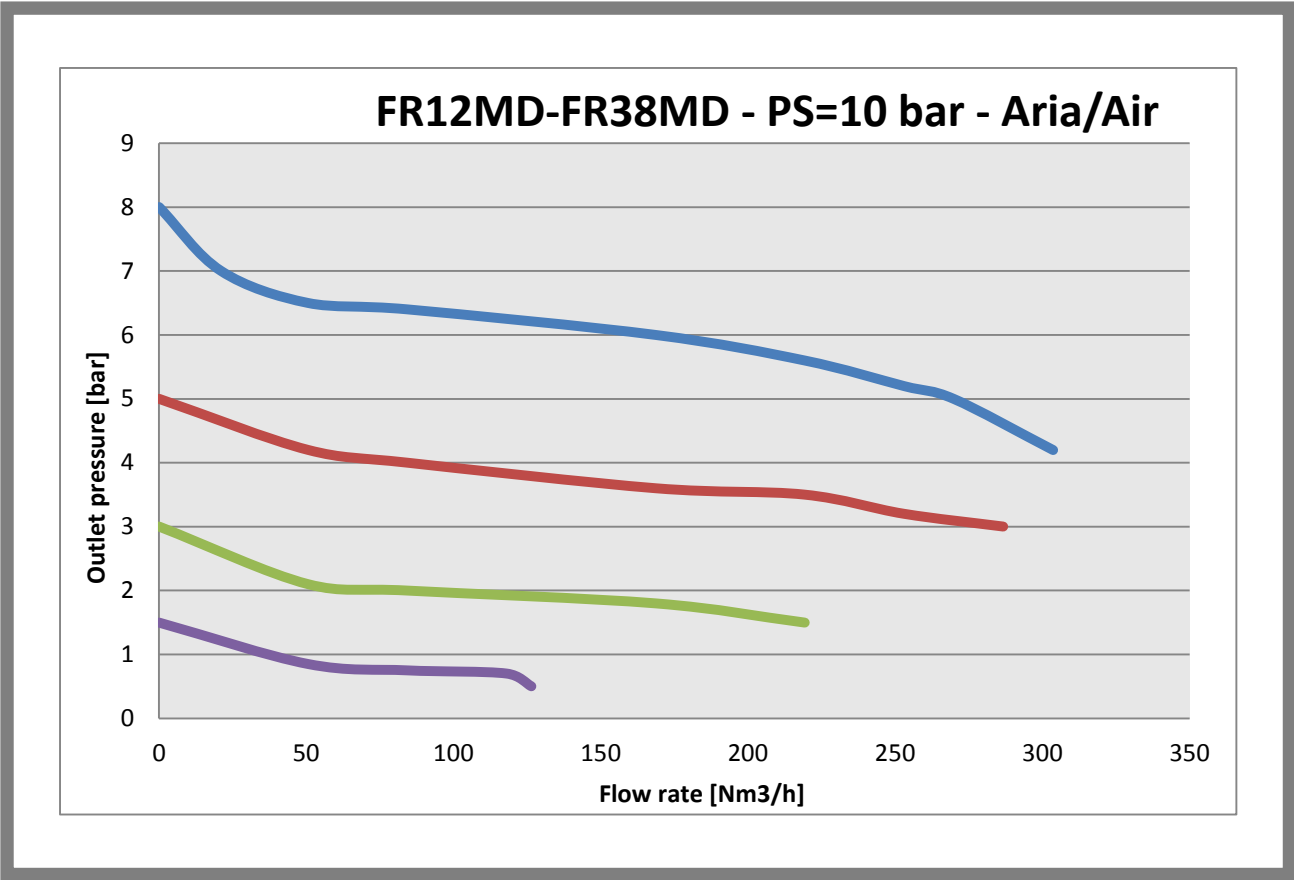
SPARE PARTS

Filter cartridges

Complete kit: filter cartridge, o-ring, main valve, assembled diaphragm

Condensate display

flow charts



generating the product code

FR LL MD-38-12			
AA BB CC D E FF			
AA	Attacchi / Connections	L0	38MD G 3/8-F
		P0	12MD G1/2-F
BB	Tazza / Bowl	01	Tazza LL SS - 16 bar
		03	Tazza LL SAI - 16 bar
		04	Tazza LL SM NV - 30 bar
CC	Intervallo d'uscita/ Outlet range	A0	Pout 0,2 - 1,5 bar
		B0	Pout 0,3 - 3 bar
		D0	Pout 0,8-8 bar
		E0	Pout 1,5-15 bar
D	Filtrante / Filter	D	5µm
		G	50µm
E	Marchiato / Marked	I	ID
FF	Accessori/Accessories	00	Nessun accessorio

CODE COMPOSITION EXAMPLE

412# L0 01 D0 G I 00

412#: Modular MD filter-regulator

L0: Connections G 3/8 – F

01: Semiautomatic drain, PS=16 bar (232 psi)

D0: Outlet pressure range 0,8 – 8 bar (11,6 – 116 psi)

G: Filtration rate 50 µm

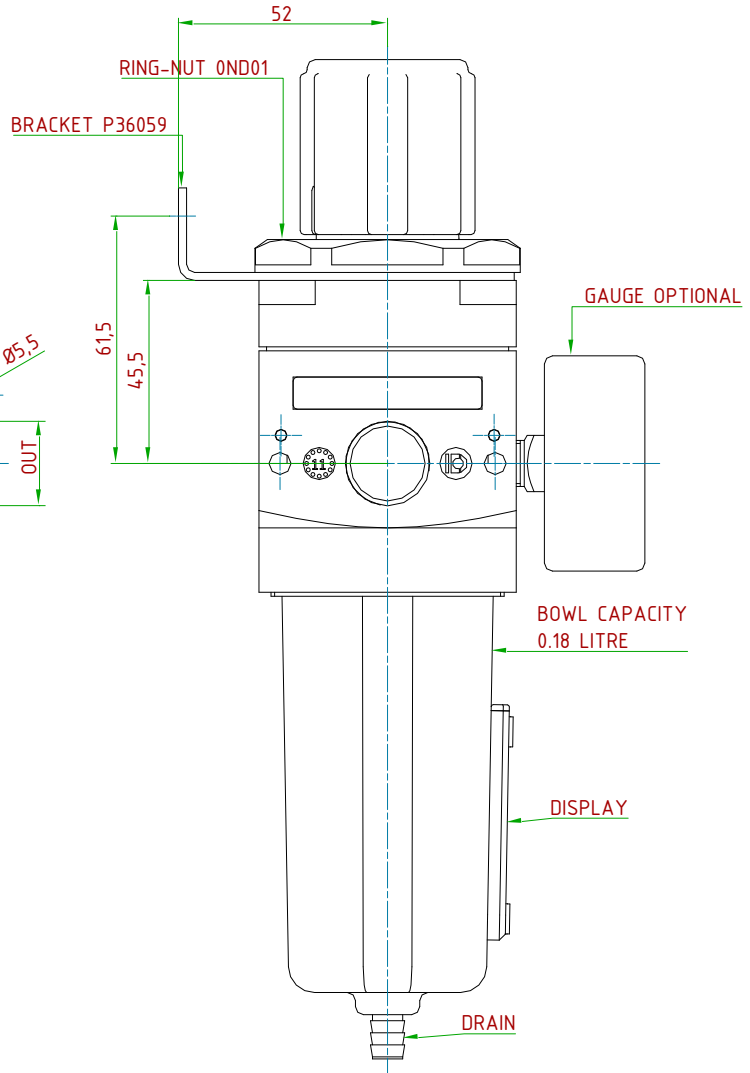
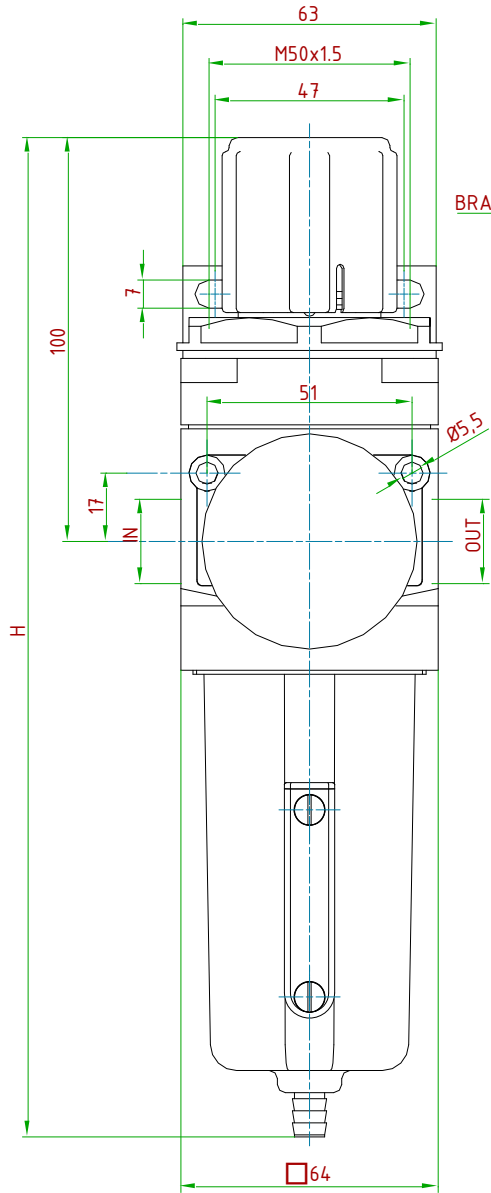
I: Brand Insert Deal

00: No accessories

technical drawings (all dimensions in mm)

TYPE	IN/OUT
FR12 MD 1/2" GF	G 1/2"-F
FR38 MD 3/8" GF	G 3/8"-F
FR12 MD 1/2" NPTF	1/2" NPT-F
FR38 MD 3/8" NPTF	3/8" NPT-F

PS [bar]	DRAIN	NOTE	H
16	SEMI-AUTOMATIC	-	~248
16	AUTOMATIC	-	~250
20	MANUAL	-	~243
30	MANUAL	NO DISPLAY	~243
30	NO DRAIN	NO DISPLAY	~237



OUTLET PRESSURE	GAUGE CODE	GAUGE RANGE
0.2÷1.5	0ABNAB19	0÷2.5
0.3÷3	0ABNAB20	0÷6
0.5÷5	0ABNAB21	0÷12
0.8÷8	0ABNAB22	0÷16
1.5÷15	0ABNAB23	0÷25

GAS FILTRATION	
CARTRIDGE	MATERIAL
5 µm	BRONZE
50 µm	BRONZE

ID Insert Deal Srl

Strada dei Boschi, 40
20852 Villasanta (MB) Italia
tel. +39 039 302035
info@idinsertdeal.com
www.idinsertdeal.com

ID Insert Deal si riserva il diritto di cambiare le specifiche del prodotto senza preavviso.
ID Insert Deal reserves the right to change and/or modify product specifications without prior notice.

Insert Deal non si assume alcuna responsabilità per la scelta, uso e manutenzione di qualsiasi prodotto. La responsabilità per l'ideale scelta, uso e manutenzione di qualsiasi prodotto ID rimane interamente a carico dell'acquirente.
Insert Deal does not assume responsibility for selection, use and maintenance of any products. Responsibility for proper selection, use and maintenance of any ID products remains entirely to the purchaser.

Riproduzione vietata. Tutti i diritti riservati; nessuna parte del presente documento può essere riprodotta senza autorizzazione di ID Insert Deal Srl.
Reproduction forbidden. All rights reserved; the hereby document can't be reproduced, also partially, without the authorization of ID Insert Deal Srl.

FILTER REGULATOR_412(FR12MD-FR38MD)_EN_04



Azienda con sistema di gestione qualità certificato.
certificato N° 50 100 9191
Company with certificated quality management system.
certificate N° 50 100 9191