

R3190

Stainless steel AISI 316L precision pressure regulator



FEATURES

Precision pressure regulator for inlet pressure up to 6 bar (87psi).

Standard version connections G1 ½"-F and G2"-F, by flanges screwed to the body. NPT or flanged connections available on request.

Outlet pressure is controlled by a rubber diaphragm. The main valve is balanced.

Available the ATEX 2014/34/EU version.

Brand $\text{CE} \text{ II2GclICTX}$

$\text{CE} \text{ II2DclICTX}$.

For use in potentially atmospheres zones: 1, 21, 2, 22 (not applicable in mines and zone 0).

Available the EAC TP TC 032/2013 or EAC-EX TP TC 012/2011 versions for the Russian market.

The product complies with the directive 2014/68/EU PED.

SPECIFICATIONS

Weight: ~35 kg (~77 lb)

Standard version operating temperature: -20°C ÷ +60°C (-4°F ÷ 140°F)

Main valve leakage classification: VI

Flow coefficient: $K_v = 5.7 \text{ Nm}^3/\text{h}$ (CV = 6,6 US gal/min)

Degree of protection: IP25

G $\frac{1}{4}$ ports for outlet pressure gauge

Adjusting screw to set outlet pressure

MATERIALS

Body and bonnet: stainless steel AISI 316L

Internal parts: stainless steel AISI 316L

Main valve spring: stainless steel AISI 302

Adjusting spring: C85 nickel plated NiP/Fe 15 μm (not in contact with the fluid)

Diaphragm: NBR and PTFE coupled diaphragms (PTFE diaphragm in contact with the fluid)

O-Rings: FPM/(EPDM for CO₂)

Main valve gasket: FPM/(EPDM for CO₂)

ACCESSORIES

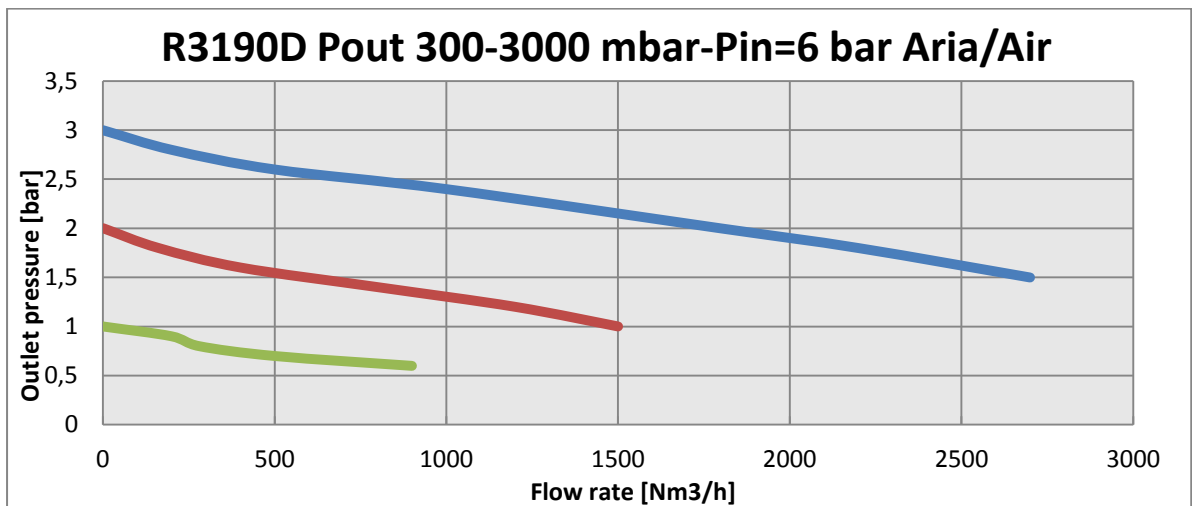
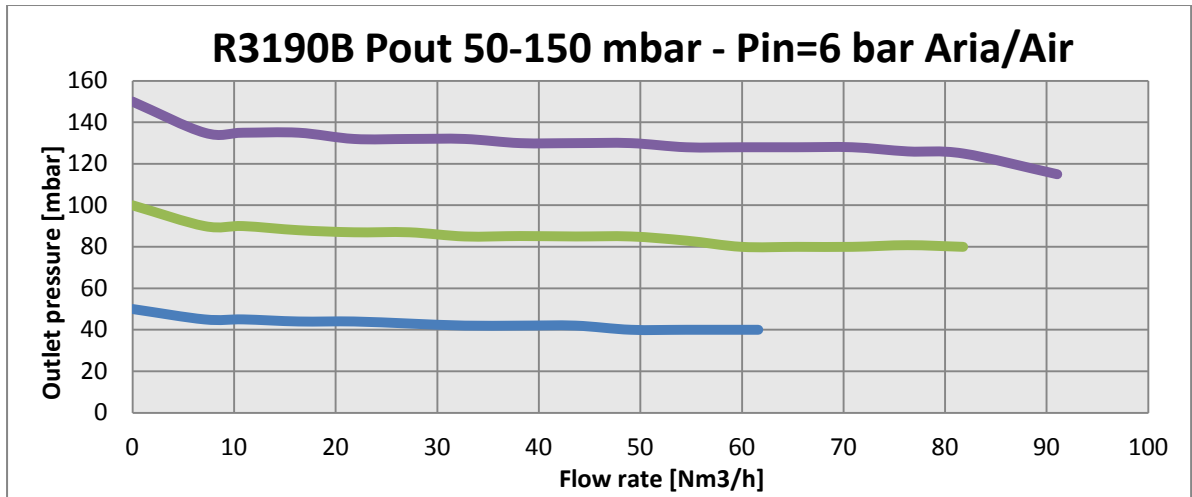
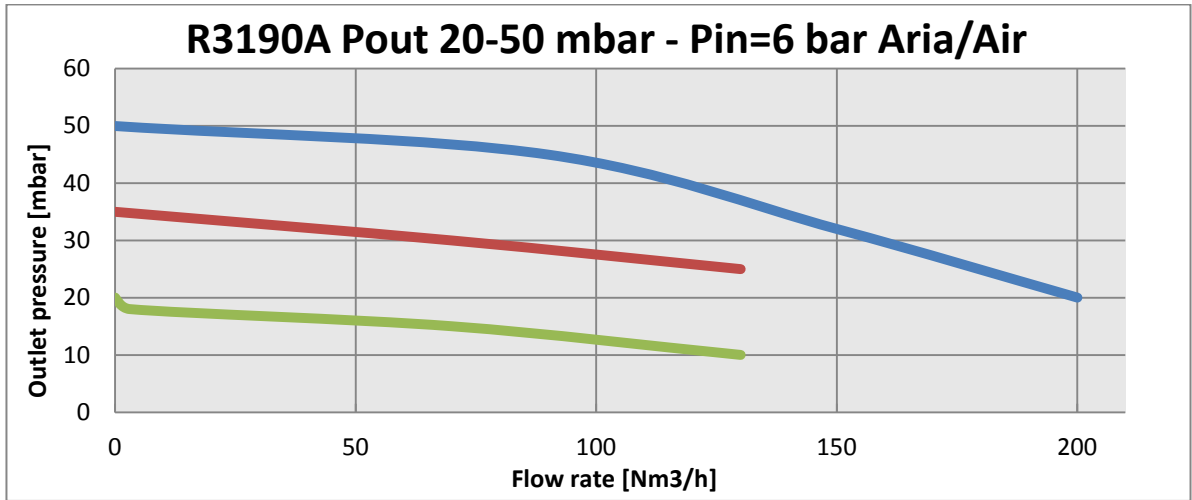
Gauges kit: accuracy class 1,6

SPARE PARTS

Gauges

Complete kit: assembled diaphragm, net filter, main valve, O-rings

flow charts



generating the product code

R3190 AISI 316			
AA BB CC DD E FF			
AA	Attacchi / Connections	S0	G 1-1/2" F
		T0	G2"-F
BB	Pressione d'ingresso / Inlet pressure	A0	PS 6 bar
CC	Intervallo d'uscita/ Outlet range	B0	MOD D Pout 0,2 - 3 bar
		L0	MOD C Pout 150 - 300 mbar
		R0	MOD A Pout 20 - 50 mbar
		U0	MOD B Pout 50 - 150 mbar
DD	Tipologia di fluido / Fluid type	98	EPDM
		99	FPM
E	Marchiato / Marked	I	ID
		Z	Dir ATEX 2014/34/EU
FF	Accessori/Accessories	00	Nessun accessorio

CODE COMPOSITION EXAMPLE

3190#T0 A0 R0 99 I 00

3190#: Regulator R3190 in AISI 316

T0: Connection G2-F

A0: Maximum inlet pressure 6 bar

R0: Outlet pressure range 20 - 50 mbar

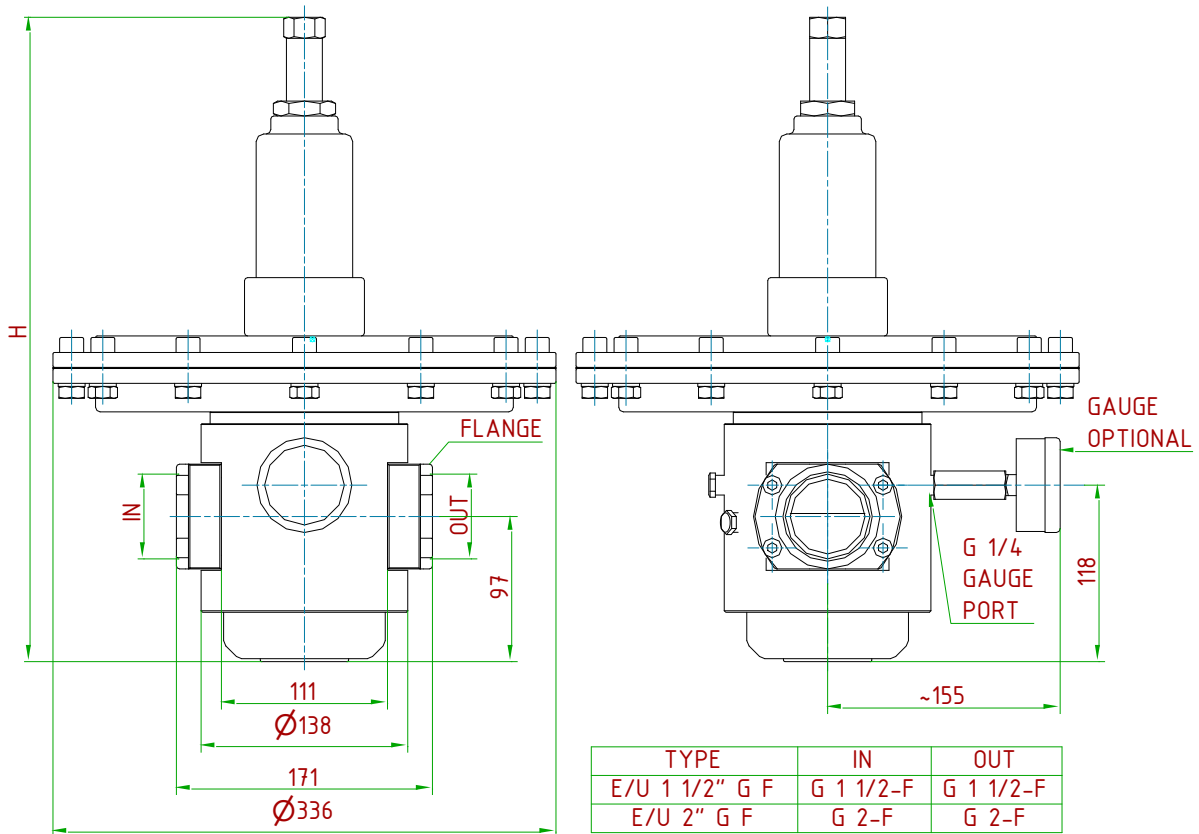
99: FPM Gaskets

I: ID

00: No accessories

technical drawings (all dimensions in mm)

MODEL	H	Pout	GAUGE KIT	GAUGE
R3190A	~ 431	20 ÷ 50 mbar	M63304	0 ÷ 100 mbar
R3190B	~ 431	50 ÷ 150 mbar	M63302	0 ÷ 300 mbar
R3190C	~ 467	150 ÷ 300 mbar	M63303	0 ÷ 1 bar
R3190D	~ 430	0.3 ÷ 3 bar	M63306	0 ÷ 6 bar



ID Insert Deal Srl

Strada dei Boschi, 40
20852 Villasanta (MB) Italia
tel. +39 039 30 2035
info@idinsertdeal.com
www.idinsertdeal.com

ID Insert Deal si riserva il diritto di cambiare le specifiche del prodotto senza preavviso.
ID Insert Deal reserves the right to change and/or modify product specifications without prior notice.

Insert Deal non si assume alcuna responsabilità per la scelta, uso e manutenzione di qualsiasi prodotto. La responsabilità per l'ideale scelta, uso e manutenzione di qualsiasi prodotto ID rimane interamente a carico dell'acquirente.

Insert Deal does not assume responsibility for selection, use and maintenance of any products. Responsibility for proper selection, use and maintenance of any ID products remains entirely to the purchaser.

Riproduzione vietata. Tutti i diritti riservati; nessuna parte del presente documento può essere riprodotta senza autorizzazione di ID Insert Deal Srl.
Reproduction forbidden. All rights reserved; the hereby document can't be reproduced, also partially, without the authorization of ID Insert Deal Srl.

PRESSURE REGULATOR_R3190_EN_02



Azienda con sistema di gestione qualità certificato.
certificato N° 50 100 9191
Company with certificated quality management system.
certificate N° 50 100 9191