

R3160

Stainless steel AISI 316L precision pressure regulator



FEATURES

Precision pressure regulator for inlet pressure up to 6 bar (87 psi).

Standard version inlet port G1/2-F and outlet port G3/4-F. NPT connections, by added nipples, or flanged connections available on request.

Outlet pressure is controlled by a rubber diaphragm. The main valve is balanced.

Available the ATEX 2014/34/EU version
Brand $\text{CE} \text{ II 2 G c I I C T X}$

$\text{CE} \text{ II 2 D c I I C T X}$.

For use in potentially explosive atmospheres zones: 1, 21, 2, 22 (not applicable in mines and zone 0).

Available the EAC-EX TP TC 012/2011 versions for the Russian market.

The product complies with the directive 2014/68/EU PED.

SPECIFICATIONS

Weight: ~2.3 kg (~5,1 lb)

Standard version operating temperature: -20°C ÷ +60°C (-4°F ÷ 140°F)

Main valve leakage classification: VI

Minimum outlet pressure: 5 mbar for model A, 10 mbar for models B and C.

Flow coefficient: $K_v = 0.4 \text{ Nm}^3/\text{h}$ ($C_v = 0,47 \text{ US gal/min}$)

Degree of protection: IP25

G $\frac{1}{4}$ ports for outlet pressure gauge

Adjusting screw to set outlet pressure

MATERIALS

Body: stainless steel AISI 316L

Bonnet: stainless steel AISI 316L

Internal parts: stainless steel AISI 316L

Adjusting spring: AISI 302 (not in contact with the fluid)

Diaphragm: NBR and PTFE coupled diaphragms (PTFE diaphragm in contact with the fluid)

O-Rings: FPM (EPDM for CO2 version)

Main valve gasket: FPM (EPDM for CO2 version)

ACCESSORIES

Gauge kit: accuracy class 1,6

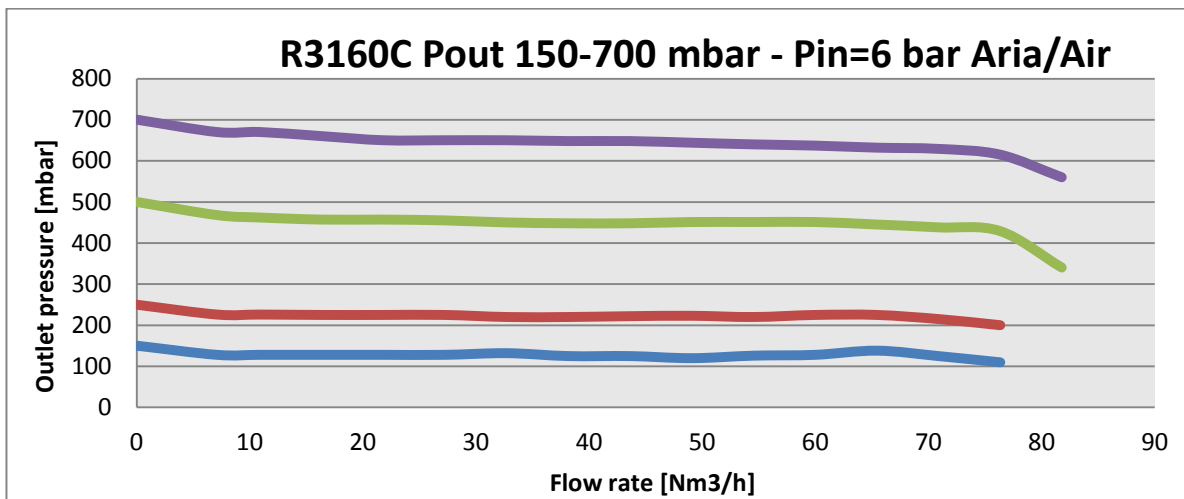
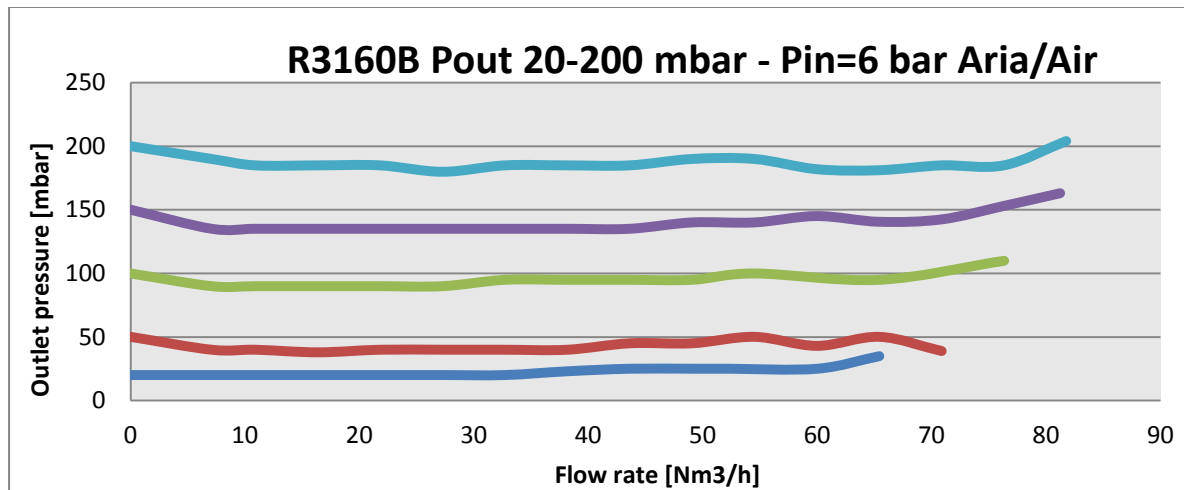
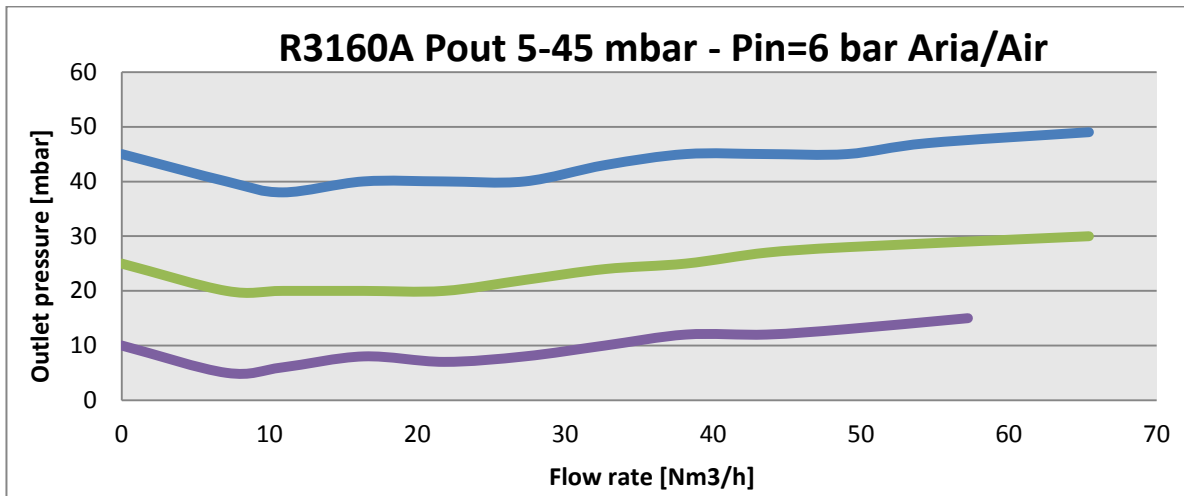
Bracket kit

SPARE PARTS

Gauges

Complete kit: assembled diaphragm, net filter, main valve, O-rings

flow charts



generating the product code

R3160 IN AISI 316			
AA BB CC DD E FF			
AA	Attacchi / Connections	P0	IN G1/2-F - OUT G3/4-F
BB	Pressione d'ingresso / Inlet pressure	A0	6 bar
CC	Intervallo d'uscita/ Outlet range	N0	MOD A Pout 5 - 45 mbar
		P0	MOD B Pout 20 - 200 mbar
		Q0	MOD C Pout 150-700 mbar
DD	Tipologia di fluido / Fluid type	15	O2
		98	EPDM
		99	FPM
E	Marchiato / Marked	I	ID
		Z	Dir ATEX 2014/34/EU
FF	Accessori/Accessories	00	Nessun accessorio

CODE COMPOSITION EXAMPLE

3160#P0 A0 P0 15 I 00

3160#: Regulator R3160 in AISI316

P0: Inlet connection G1/2-F and outlet connection G3/4-F

A0: Maximum inlet pressure 6 bar

P0: Outlet pressure range 20 - 200 mbar

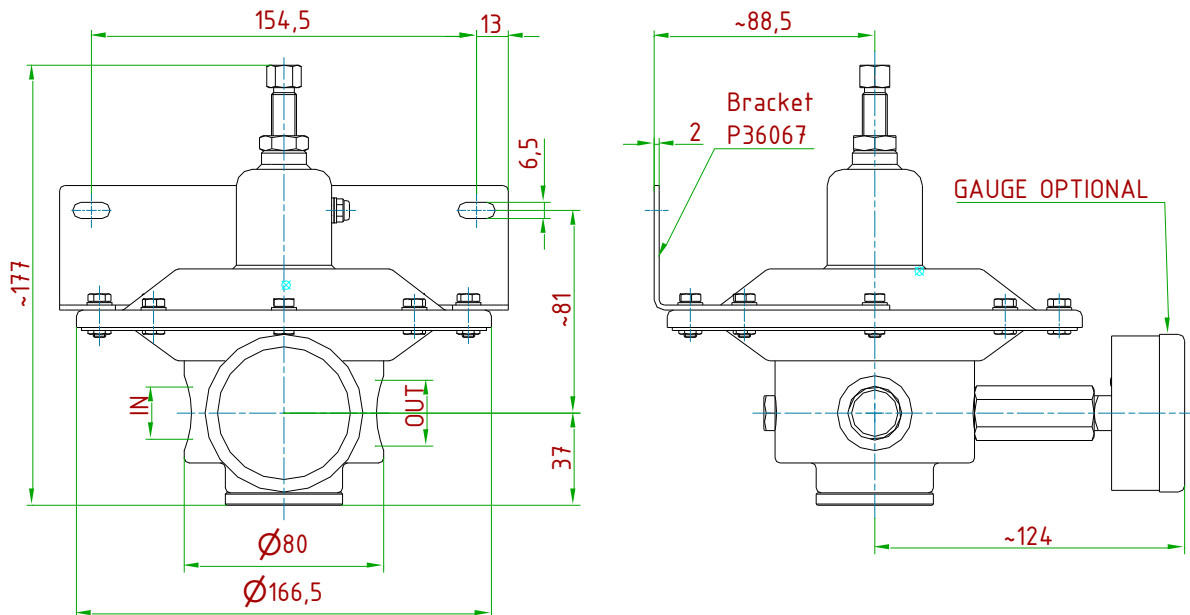
15: Oxygen version

I: ID

00: No accessories

technical drawings (all dimensions in mm)

Bracket to be ordered separately, Kit order number: M11203



TYPE	IN	OUT
E.1/2"GF U.3/4"GF	1/2"G F	3/4"G F

MODEL	Pout	GAUGE KIT	GAUGE
R3160A	5÷45 mbar	M63301	0÷60 mbar
R3160B	20÷200 mbar	M63302	0÷300 mbar
R3160C	150÷700 mbar	M63303	0÷1 bar

ID Insert Deal Srl

Strada dei Boschi, 40
20852 Villasanta (MB) Italia
tel. +39 039 30 2035
info@idinsertdeal.com
www.idinsertdeal.com

ID Insert Deal si riserva il diritto di cambiare le specifiche del prodotto senza preavviso.
ID Insert Deal reserves the right to change and/or modify product specifications without prior notice.

Insert Deal non si assume alcuna responsabilità per la scelta, uso e manutenzione di qualsiasi prodotto. La responsabilità per l'ideale scelta, uso e manutenzione di qualsiasi prodotto ID rimane interamente a carico dell'acquirente.

Insert Deal does not assume responsibility for selection, use and maintenance of any products. Responsibility for proper selection, use and maintenance of any ID products remains entirely to the purchaser.

Riproduzione vietata. Tutti i diritti riservati; nessuna parte del presente documento può essere riprodotta senza autorizzazione di ID Insert Deal Srl.
Reproduction forbidden. All rights reserved; the hereby document can't be reproduced, also partially, without the authorization of ID Insert Deal Srl.

PRESSURE REGULATOR_R3160_EN_02



Azienda con sistema di gestione qualità certificato.
certificato N° 50 100 9191
Company with certificated quality management system.
certificate N° 50 100 9191