

# R3150

Stainless steel AISI 316L precision pressure regulator for compressed air, gas and liquids.



## FEATURES

Precision pressure regulator for inlet pressure up to 10 bar (145 psi).

Connections ½"-GF for standard version.

Outlet pressure is controlled by a rubber diaphragm. The regulator's main valve is balanced.

Available the ATEX 2014/34/EU version

Brand  $\text{CE} \text{ II2GclICTX}$

$\text{CE} \text{ II2DclICTX}$ .

For use in potentially explosive atmospheres zones: 1, 21, 2, 22 (not applicable in mines and zone 0).

Available the EAC-EX TP TC 012/2011 versions for the Russian market.

The product complies with the directive 2014/68/EU PED.

## **SPECIFICATIONS**

Weight: ~2,7 kg (~6 lb)

Working temperature: -20°C ÷ +80°C (-4°F ÷ +176°F) for standard version

Main valve leakage classification: VI (bubble tight)

Degree of protection: IP25

G ¼ ports for outlet pressure gauge

## **MATERIALS**

Body and bonnet: stainless steel AISI 316L

Internal parts: stainless steel AISI 316L

Main valve spring: stainless steel AISI 302

Adjusting spring: stainless steel AISI 302

Diaphragm: double diaphragm in NBR and PTFE (PTFE diaphragm in contact with the fluid)

O-Rings: FPM (other compounds available on request)

Main valve gasket: FPM (other compounds available on request)

## **ACCESSORIES**

Gauge: accuracy class 1,6

Lock-nut

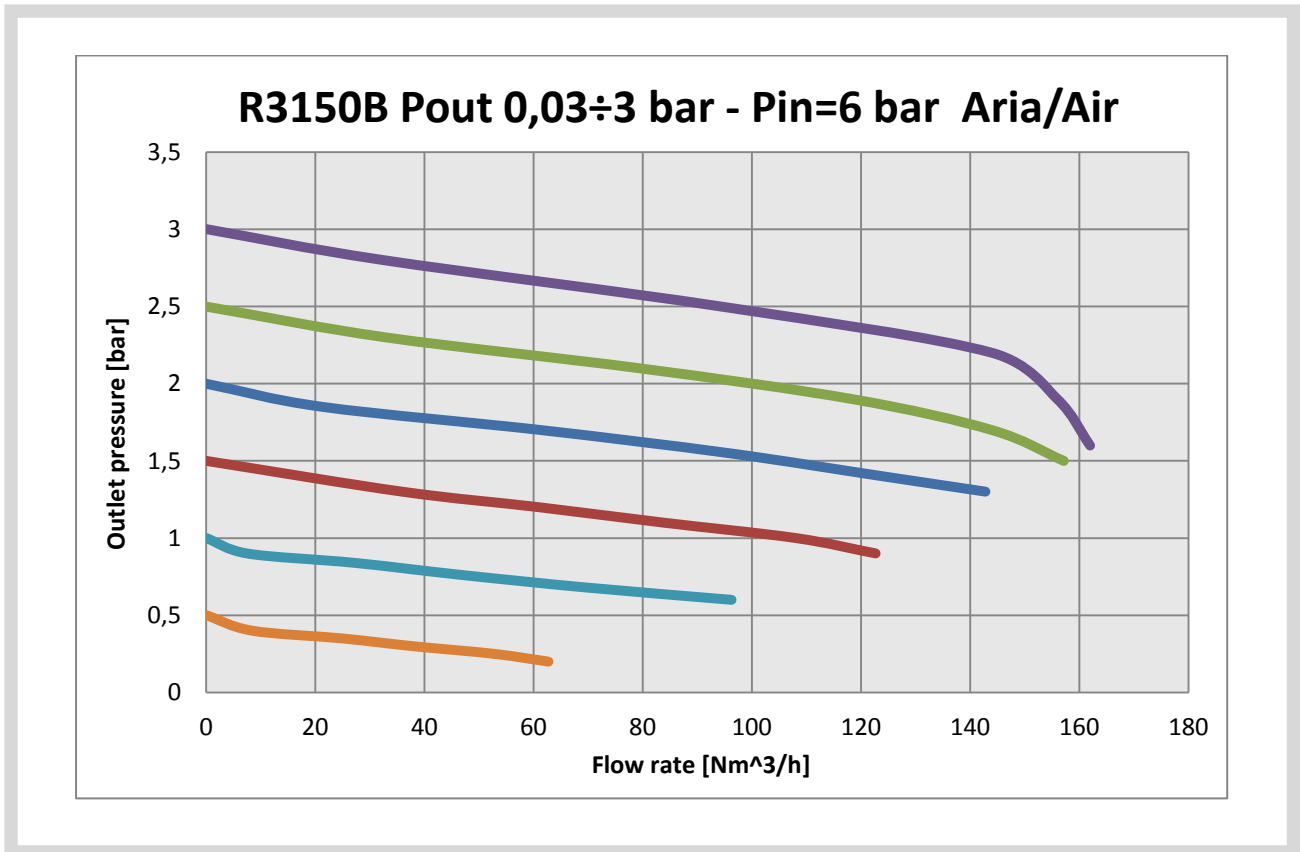
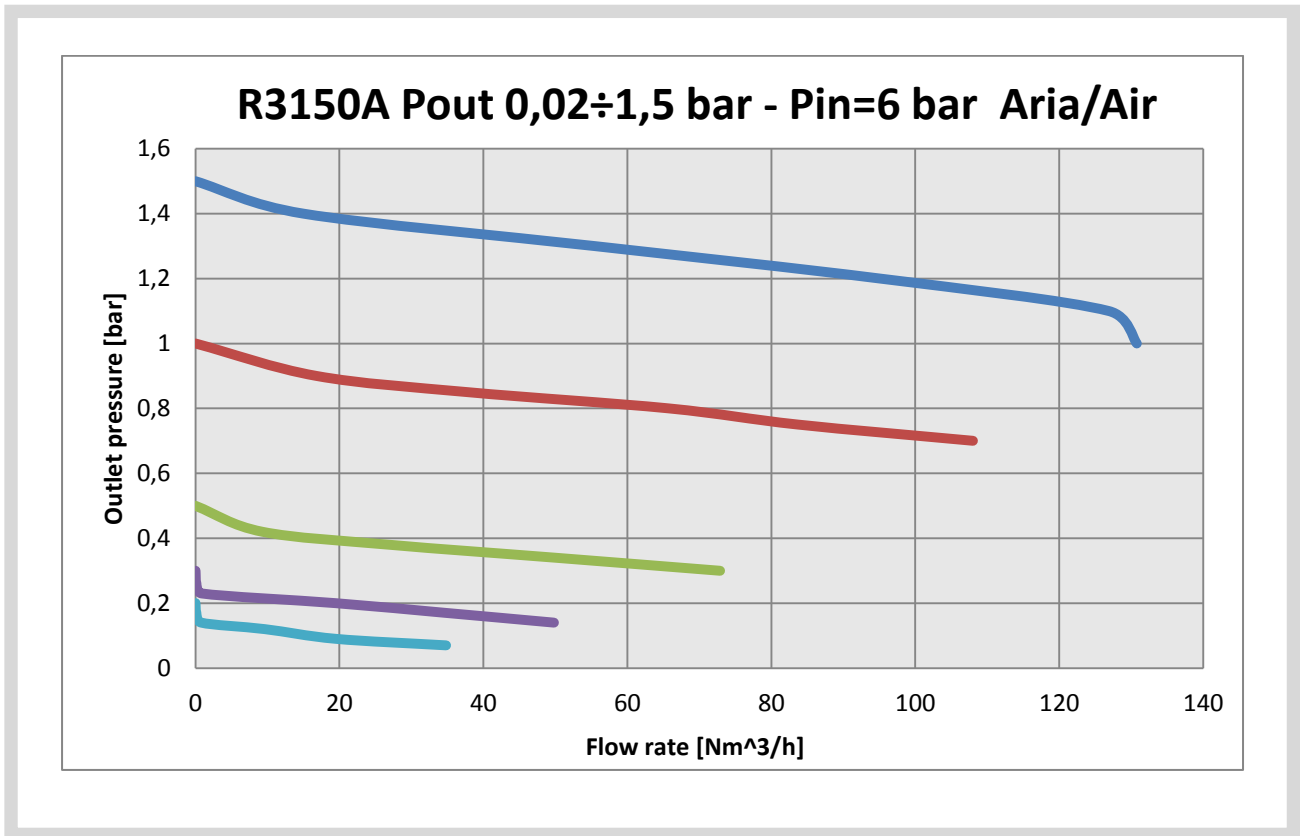
Bracket and lock-nut Kit

## **SPARE PARTS**

Gauges

Complete Kit: assembled diaphragm, net filter, main valve, o-rings

# flow charts



## generating the product code

R3150 AISI 316			
AA BB CC DD E FF			
AA	Attacchi / Connections	P0	G 1/2-F
BB	Pressione d'ingresso / Inlet pressure	G0	PS 10 bar
CC	Intervallo d'uscita/ Outlet range	A0	Pout 0,02 - 1,5 bar
		B0	Pout 0,03 - 3 bar
DD	Tipologia di fluido / Fluid type	19	FPM x liquidi
		99	FPM
		9V	FPM - no manometro
E	Marchiato / Marked	I	ID
		Z	Dir ATEX 2014/34/EU
FF	Accessori/Accessories	00	Nessun accessorio

## CODE COMPOSITION EXAMPLE

**3150#P0 G0 A0 99 I 00**

**3150#:** Pressure regulator R3150 AISI 316

**P0:** Connections G 1/2-F

**G0:** Maximum inlet pressure 10 bar

**A0:** Outlet pressure range 0,02-1,5 bar

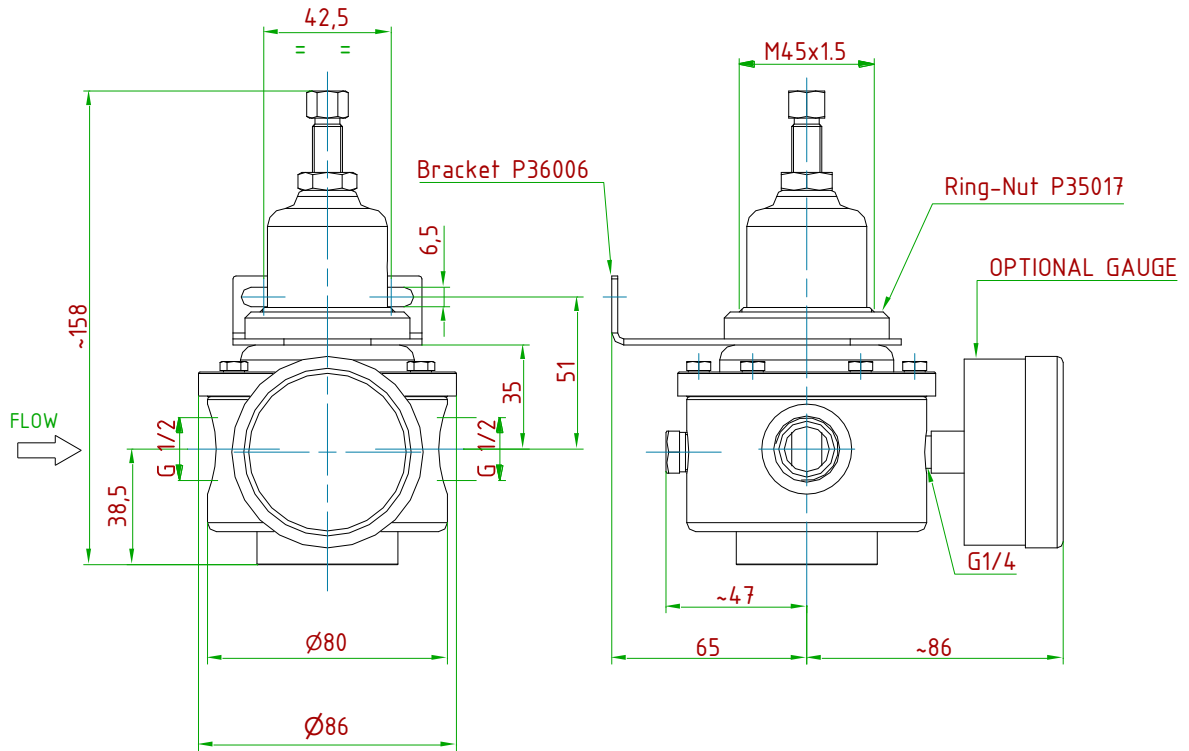
**99:** O-rings in FPM

**I:** ID

**00:** No accessories

# technical drawings (all dimensions in mm)

Bracket and Ring-Nut to be ordered separately, Kit order number: M1H301.



## **ID Insert Deal Srl**

Strada dei Boschi, 40  
20852 Villasanta (MB) Italia  
tel. +39 039 30 2035  
[info@idinsertdeal.com](mailto:info@idinsertdeal.com)  
[www.idinsertdeal.com](http://www.idinsertdeal.com)

ID Insert Deal si riserva il diritto di cambiare le specifiche del prodotto senza preavviso.  
ID Insert Deal reserves the right to change and/or modify product specifications without prior notice.

Insert Deal non si assume alcuna responsabilità per la scelta, uso e manutenzione di qualsiasi prodotto. La responsabilità per l'ideale scelta, uso e manutenzione di qualsiasi prodotto ID rimane interamente a carico dell'acquirente.

Insert Deal does not assume responsibility for selection, use and maintenance of any products. Responsibility for proper selection, use and maintenance of any ID products remains entirely to the purchaser.

Riproduzione vietata. Tutti i diritti riservati; nessuna parte del presente documento può essere riprodotta senza autorizzazione di ID Insert Deal Srl.  
Reproduction forbidden. All rights reserved; the hereby document can't be reproduced, also partially, without the authorization of ID Insert Deal Srl.

**PRESSURE REGULATOR\_R3150\_EN\_03**



Azienda con sistema di gestione qualità certificato.  
**certificato N° 50 100 9191**  
Company with certificated quality management system.  
**certificate N° 50 100 9191**