

# R3130 – R3130/2"

Stainless steel AISI 316L pressure regulator,  
for compressed air, gas and liquid



## FEATURES

Pressure regulator for inlet pressure up to 50 bar (725 psi).

Connections by flanges screwed to the body.

R3130 1 ½"-GF

R3130/2" 2"-GF

Connections with EN or Asme flanges available on request.

Outlet pressure is controlled by a stainless steel AISI 316L piston.

Available the ATEX 2014/34/EU version.

Brand  $\text{CE} \text{ II 2 Gc I I C T X}$

$\text{CE} \text{ II 2 Dc I I C T X}$ .

For use in potentially explosive atmospheres zones: 1, 21, 2, 22 (not for mines and zone 0).

Available the EAC TP TC 032/2013 or EAC-EX TP TC 012/2011 versions for the Russian market.

The product complies with the directive 2014/68/EU PED.

Gauge for outlet pressure, accuracy class 1.6.

## **SPECIFICATIONS**

Weight: ~19.5 Kg (~43 lb)

Standard version operating temperature: -20°C ÷ +60°C (-4°F ÷ +140°F)

Main valve leakage classification: VI (bubble tight)

Flow coefficient:  $K_v = 12.6 \text{ Nm}^3/\text{h}$   $C_v = 14,7 \text{ US gal/min}$

Degree of protection: IP25

G1/4 port for gauge on both sides

## **MATERIALS**

Body: stainless steel AISI 316L

Bonnet: stainless steel AISI 316L

Internal parts: stainless steel AISI 316L

Main valve spring: stainless steel AISI 302

Adjusting spring: C85 nickel plated NiP/Fe 15 µm, not in contact with the fluid

Piston: stainless steel AISI 316L

O-Rings: FPM (other compounds available on request)

Main valve gasket: FPM for inlet pressure up to 30 bar

PUR for greater inlet pressure

(other compounds available on request)

## **ACCESSORIES**

Pilot operated version, pressure setpoint to be controlled by a pilot regulator

Kit bracket + screws

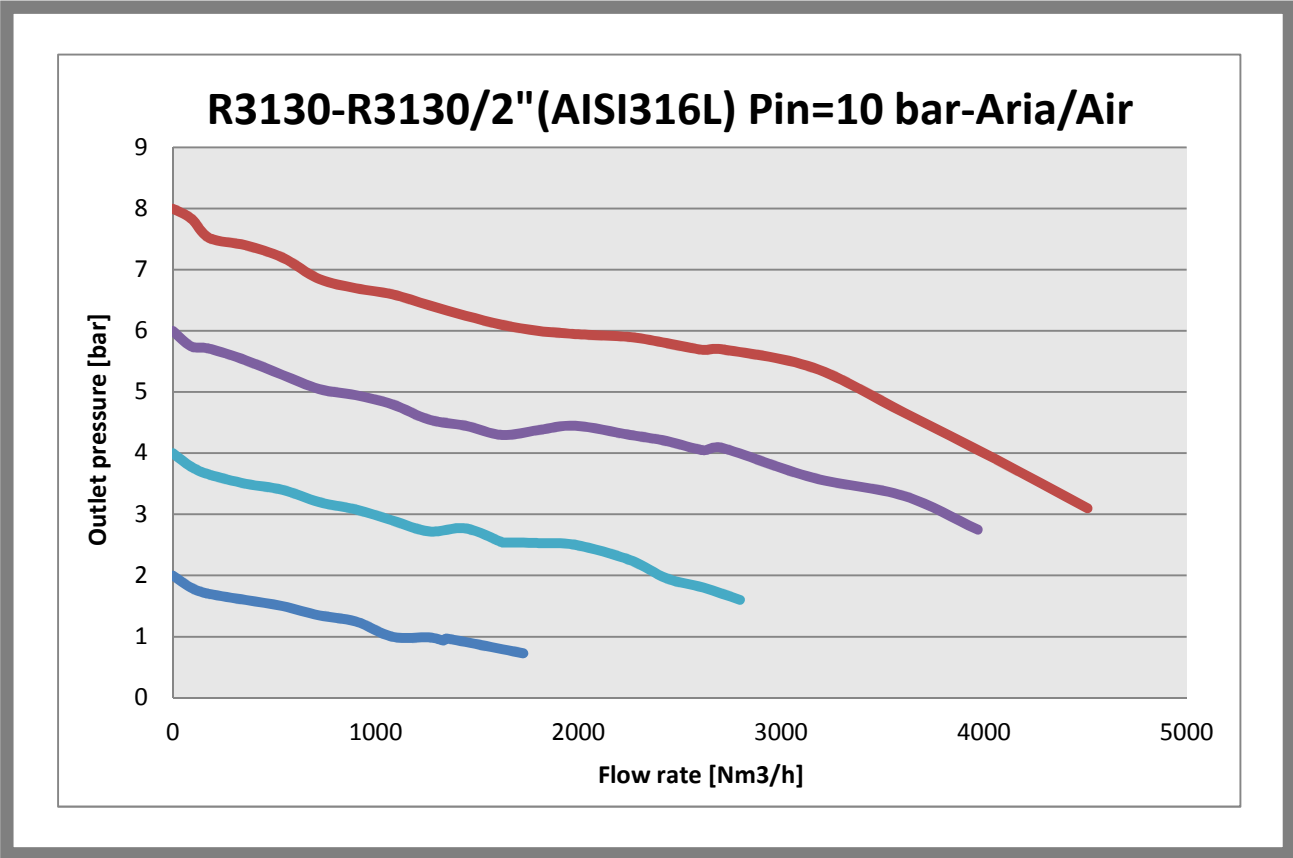
Overpressure relieving function, only for compressed air version

## **SPARE PARTS**

Gauge

Complete kit: net filter, complete main valve, O-rings.

flow charts



## generating the product code

| R3130 AISI 316 L   |                                       |    |                          |
|--------------------|---------------------------------------|----|--------------------------|
| AA BB CC DD E F GG |                                       |    |                          |
| AA                 | Attacchi / Connections                | S0 | G 1"1/2-F                |
|                    |                                       | T0 | G 2-F                    |
| BB                 | Pressione d'ingresso / Inlet pressure | D0 | 30 bar                   |
|                    |                                       | E0 | 50 bar                   |
| CC                 | Intervallo d'uscita/ Outlet range     | A0 | MOD A Pout 0,2 - 1,5 bar |
|                    |                                       | B0 | MOD B Pout 0,3 - 3 bar   |
|                    |                                       | D0 | MOD C Pout 0,8 - 8 bar   |
|                    |                                       | E0 | MOD F Pout 1,5 -15 bar   |
|                    |                                       | F0 | MOD G Pout 3 - 30 bar    |
|                    |                                       | G0 | MOD L Pout 5 - 50 bar    |
| DD                 | Tipologia di fluido / Fluid type      | 15 | O2 PED CAT II            |
|                    |                                       | 98 | EPDM CAT I               |
|                    |                                       | 99 | FPM CAT I                |
| E                  | Pilotato / Pilot operated             | n  | Non pilotato             |
|                    |                                       | p  | Pilotato                 |
| FF                 | Marchiato / Marked                    | I  | ID                       |
|                    |                                       | Z  | Dir ATEX 2014/34/EU      |
| GG                 | Accessori/Accessories                 | 00 | Nessun accessorio        |

### CODE COMPOSITION EXAMPLE

**3130#S0 D0 D0 15 N I 00**

**3130#:** Regulator R130 AISI 316

**S0:** Connection G 1 1/2-F

**D0:** Maximum inlet pressure 30 bar

**D0:** Outlet pressure range 0,8-8 bar

**15:** Oxygen version

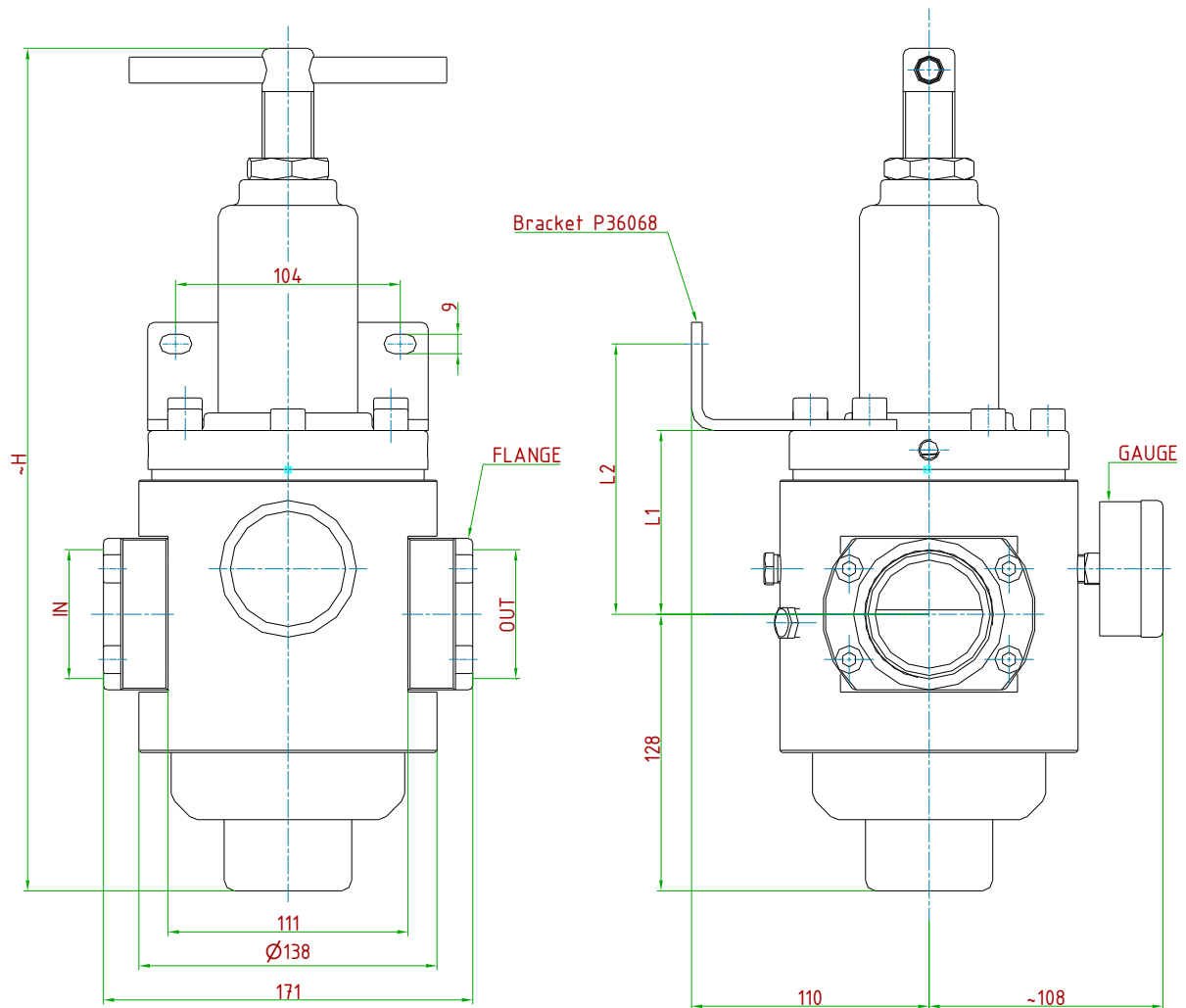
**N:** Not pilot operated

**I:** ID

**00:** No accessories

## technical drawings (all dimensions in mm)

| TYPE        | IN/OUT       | FLANGE |
|-------------|--------------|--------|
| 2" GF       | G 2-F        | P37063 |
| 1 1/2" GF   | G 1 1/2-F    | P37062 |
| 2" NPTF     | 2" NPT-F     | P37067 |
| 1 1/2" NPTF | 1 1/2" NPT-F | P37066 |



Bracket to be ordered separately, Kit order number: M17310

| MODEL | PS     | OUTLET PRESSURE | GAUGE CODE | GAUGE RANGE | H    | L1 | L2  |
|-------|--------|-----------------|------------|-------------|------|----|-----|
| A     | 30 bar | 0,2÷1,5 bar     | 0ABNEC04   | 0÷2,5 bar   | ~390 | 85 | 125 |
| B     | 30 bar | 0,3÷3 bar       | 0ABNEC05   | 0÷6 bar     | ~390 | 85 | 125 |
| C     | 30 bar | 0,8÷8 bar       | 0ABNEC07   | 0÷16 bar    | ~390 | 85 | 125 |
| F     | 50 bar | 1,5÷15 bar      | 0ABNEC08   | 0÷25 bar    | ~390 | 85 | 125 |
| G     | 50 bar | 3÷30 bar        | 0ABNEC09   | 0÷63 bar    | ~400 | 98 | 138 |
| L     | 50 bar | 5÷50 bar        | 0ABNEC10   | 0÷100 bar   | ~400 | 98 | 138 |

NOTE: Standard version without gauge

## **ID Insert Deal Srl**

Strada dei Boschi, 40  
20852 Villasanta (MB) Italia  
tel. +39 039 302035  
[info@idinsertdeal.com](mailto:info@idinsertdeal.com)  
[www.idinsertdeal.com](http://www.idinsertdeal.com)

ID Insert Deal si riserva il diritto di cambiare le specifiche del prodotto senza preavviso.  
ID Insert Deal reserves the right to change and/or modify product specifications without prior notice.

Insert Deal non si assume alcuna responsabilità per la scelta, uso e manutenzione di qualsiasi prodotto. La responsabilità per l'ideale scelta, uso e manutenzione di qualsiasi prodotto ID rimane interamente a carico dell'acquirente.

Insert Deal does not assume responsibility for selection, use and maintenance of any products. Responsibility for proper selection, use and maintenance of any ID products remains entirely to the purchaser.

Riproduzione vietata. Tutti i diritti riservati; nessuna parte del presente documento può essere riprodotta senza autorizzazione di ID Insert Deal Srl.  
Reproduction forbidden. All rights reserved; the hereby document can't be reproduced, also partially, without the authorization of ID Insert Deal Srl.

**PRESSURE REGULATOR\_3130(R3130-R3130.2)\_EN\_03**



Azienda con sistema di gestione qualità certificato.  
**certificato N° 50 100 9191**  
Company with certificated quality management system.  
**certificate N° 50 100 9191**