

# R3123

Stainless steel AISI 316L pressure regulator,  
for compressed air, gas and liquid



## FEATURES

Pressure regulator for inlet pressure up to 50 bar (725 psi) in the standard version.

Connections by flanges screwed to the body:

G 1-F;

G 1-1/4-F;

1" NPT-F

1-1/4" NPT-F;

Connections with EN or ASME flanges available on request.

Outlet pressure, up to 15 bar (218 psi), is controlled by a rubber diaphragm; greater outlet pressures are controlled by a piston. Balanced main valve.

Available the ATEX 2014/34/EU version.

Brand X II2GcIICTX

X II2DcIICTX.

For use in potentially explosive atmospheres zones: 1, 21, 2, 22 (not applicable in mines and zone 0).

Available the EAC-EX TP TC 012/2011 versions for the Russian market.

The product complies with the directive 2014/68/EU PED.

## **SPECIFICATIONS**

Weight R3123: diaphragm model ~10.2 kg (~22.5 lb), piston model ~10.6 kg (~ 23.4 lb)

Operating temperature: -20°C ÷ +80°C (-4 °F ÷ +176 °F) for standard version

Main valve leakage classification: VI (bubble tight)

Flow coefficient:  $K_v = 6 \text{ Nm}^3/\text{h}$   $C_v = 7 \text{ US gal/min}$

G 1/4 or 1/4" NPT gauge port on both sides by flanges screwed to the body.

## **MATERIALS**

Body and bonnet: stainless steel AISI 316L

Internal parts: stainless steel AISI 316L

Main valve spring: stainless steel AISI 302

Adjusting spring: C85 nickel-plated NiP/Fe 15 µm, not in contact with the fluid

Diaphragm: NBR+PTFE

Piston: stainless steel AISI 316L

Gaskets: FPM or EPDM depending on the fluid (different compounds available on request)

## **ACCESSORIES**

Pilot operated version, pressure setpoint to be controlled by a pilot regulator

Wall mounting bracket

Overpressure relieving function (only for compressed air versions)

Gauge for outlet pressure

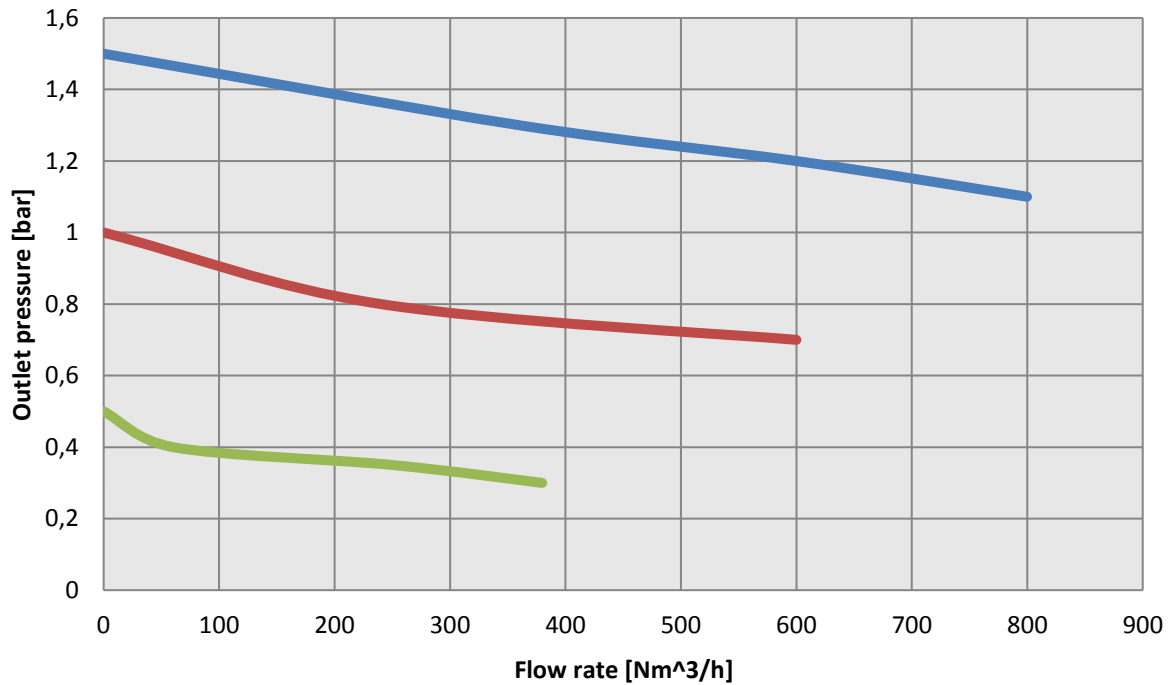
## **SPARE PARTS**

Gauges

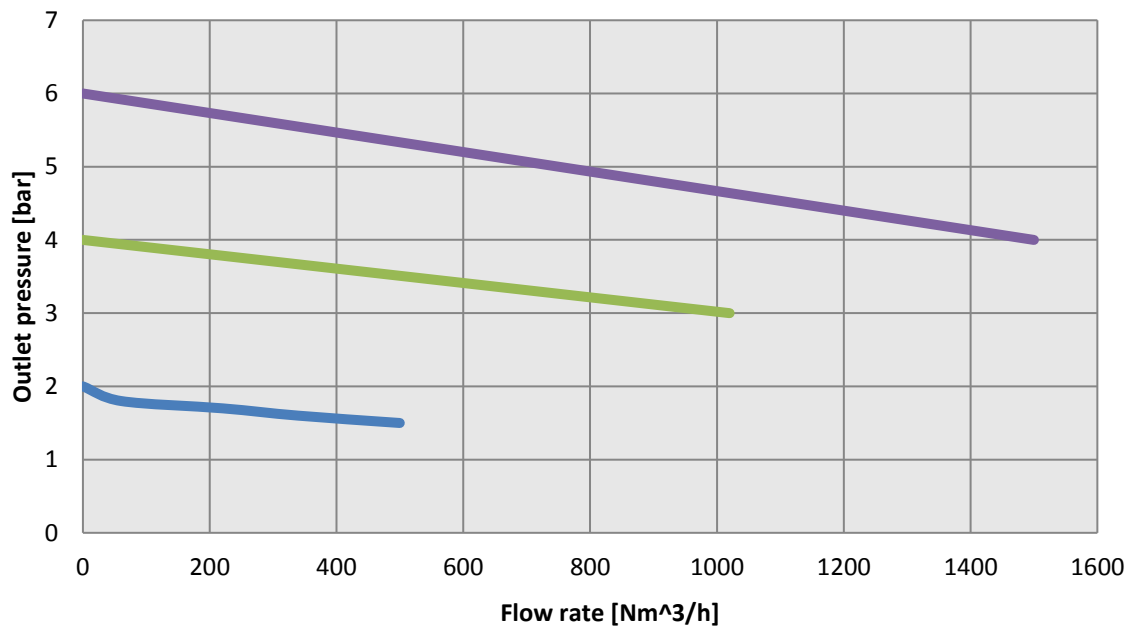
Complete kit: net filter, complete main valve, O-rings, assembled diaphragm.

## flow charts

### R3123 Pout 0,2÷1,5 bar - Pin=10 bar - Aria/Air



### R3123 Pout 0,8÷8 bar - Pin=10 bar - Aria/Air



## generating the product code

Regolatore 2° stadio R3123 AISI 316L			
AA BB CC DD E FF GG			
AA	Attacchi / Connections	R0	G 1-F
		J0	G1 1/4-F
BB	Pressione ingresso / Inlet pressure	E0	50 bar
CC	Intervallo uscita - Outlet range	A0	Pout 0,2 - 1,5 bar
		B0	Pout 0,3 - 3 bar
		D0	Pout 0,8 - 8 bar
		E0	Pout 1,5 - 15 bar
		F0	Pout 3 - 30 bar
		G0	Pout 5 - 50 bar
DD	Tipologia di fluido / Fluid type	98	EPDM
		99	FPM
E	Relieving / Relieving	0	Non relieving
		1	Relieving
F	Marchiato / Marked	I	ID
		Z	Dir. ATEX 2014/34/EU
GG	Accessori / Accessories	00	Nessun accessorio
		04	Taratura fissa
		05	Pretarato
		06	Manometro
		08	Sgrassato uso O2
		02	Temperatura -20°C ÷ +200°C

## CODE COMPOSITION EXAMPLE

**3123#R0 N0 D0 99 1 I 00**

**3123#:** Regulator R3123 AISI 316

**R0:** connection G 1-F

**E0:** maximum inlet pressure 50 bar

**D0:** outlet pressure range 0,8-8 bar

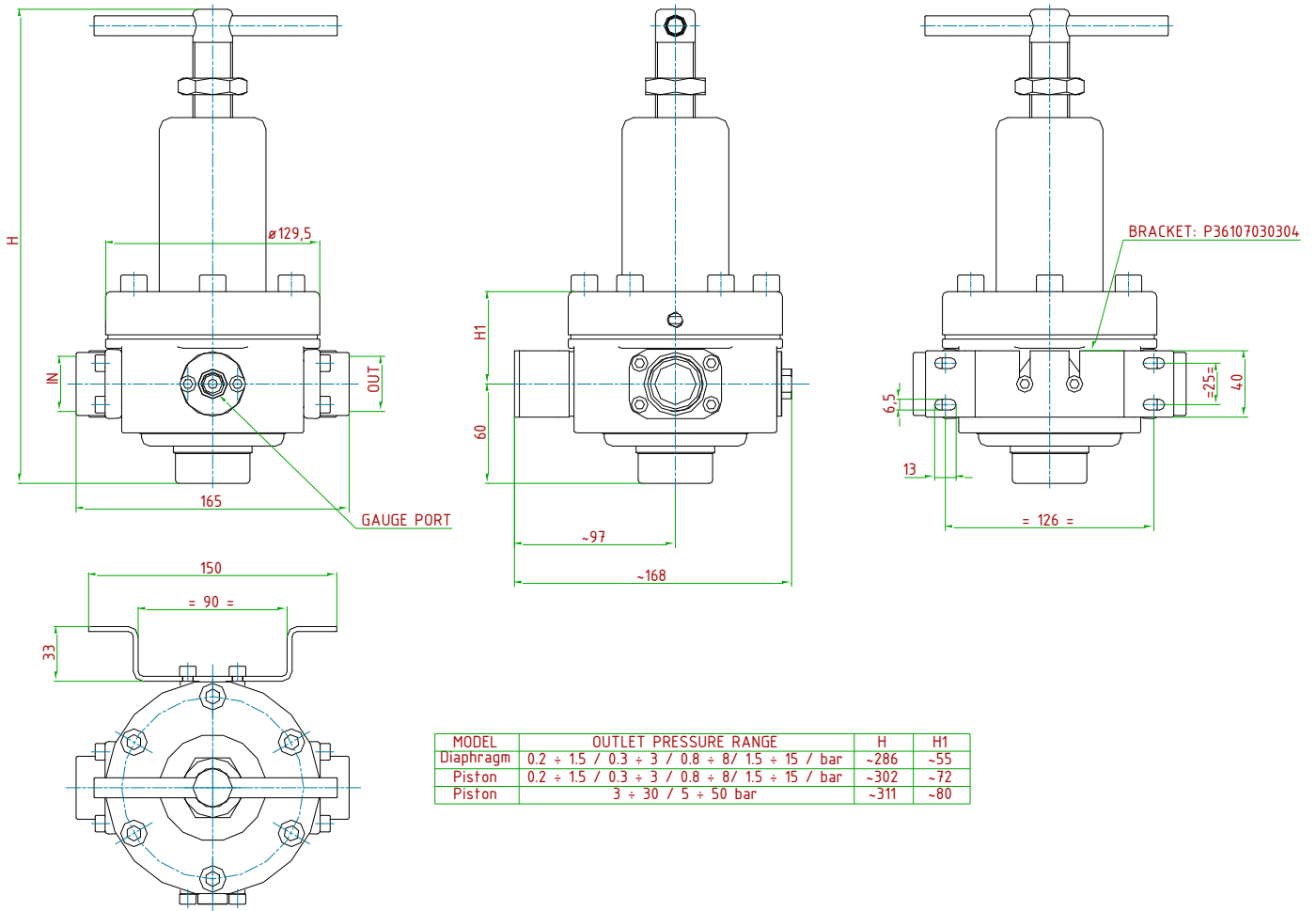
**99:** FPM gaskets

**1:** Relieving

**I:** Insert Deal

**00:** No accessories

# technical drawings (all dimensions in mm)



## **ID Insert Deal Srl**

Strada dei Boschi, 40  
20852 Villasanta (MB) Italia  
tel. +39 039 302035  
[info@idinsertdeal.com](mailto:info@idinsertdeal.com)  
[www.idinsertdeal.com](http://www.idinsertdeal.com)

ID Insert Deal si riserva il diritto di cambiare le specifiche del prodotto senza preavviso.  
ID Insert Deal reserves the right to change and/or modify product specifications without prior notice.

Insert Deal non si assume alcuna responsabilità per la scelta, uso e manutenzione di qualsiasi prodotto. La responsabilità per l'ideale scelta, uso e manutenzione di qualsiasi prodotto ID rimane interamente a carico dell'acquirente.

Insert Deal does not assume responsibility for selection, use and maintenance of any products. Responsibility for proper selection, use and maintenance of any ID products remains entirely to the purchaser.

Riproduzione vietata. Tutti i diritti riservati; nessuna parte del presente documento può essere riprodotta senza autorizzazione di ID Insert Deal Srl.  
Reproduction forbidden. All rights reserved; the hereby document can't be reproduced, also partially, without the authorization of ID Insert Deal Srl.

**PRESSURE REGULATOR\_R3123\_EN\_02**



Azienda con sistema di gestione qualità certificato.  
**certificato N° 50 100 9191**  
Company with certificated quality management system.  
**certificate N° 50 100 9191**