

# R31100

Stainless steel AISI 316L high pressure regulator,  
for compressed air, gas and liquids



## FEATURES

High pressure regulator for cylinder or manifold; standard version inlet pressure up to 220 bar (3190 psi), higher pressure for special versions.

Ideal for industrial application and for welding equipment.

Cylinder inlet connections according to UNI standard, other connections available on request.

Outlet pressure up to 15 bar (218 psi) is controlled by a diaphragm; greater outlet pressures are controlled by a piston.

Available the ATEX 2014/34/EU version.

Brand  $\text{CE} \text{ II2GcIICTX}$

$\text{CE} \text{ II2DcIICTX}$ .

For use in potentially explosive atmospheres zones: 1, 21, 2, 22 (not for mines and zone 0).

Available the EAC-EX TP TC 012/2011 versions for the Russian market.

The product complies with the directive 2014/68/EU PED.

## **SPECIFICATIONS**

Gauges: accuracy class 1,6

Regulator weight: ~4.7 Kg (~10,4 lb)

Standard version operating temperature: -20°C ÷ +60°C (-4°F ÷ 140°F)

Main valve leakage classification: VI (bubble tight)

Flow coefficient:  $K_v = 0.15 \text{ Nm}^3/\text{h}$  ( $C_v = 0,18 \text{ USgal}/\text{min}$ )

Degree of protection: IP25

## **MATERIALS**

Body and bonnet: stainless steel AISI 316L

Internal parts: stainless steel AISI 316L

Adjusting spring: stainless steel AISI 302 (not in contact with the fluid)

Main valve spring: stainless steel AISI 302

Diaphragm (for outlet pressure up to 15 bar): stainless steel AISI 316L

Piston (for greater outlet pressure): stainless steel AISI 316L

O-rings: EPDM or FPM depending on the fluid (other compounds available on request)

Main valve gasket: PTFE + carbon (EPDM for PS 15 bar)

## **ACCESSORIES**

Ring-nut \*

Kit bracket and ring-nut \*

Rubber diaphragm for liquids

\* Kit bracket and ring-nut or ring nut not available for CONVEYED and ATEX versions. Goods have to be ordered with mounted bracket and ring nut.

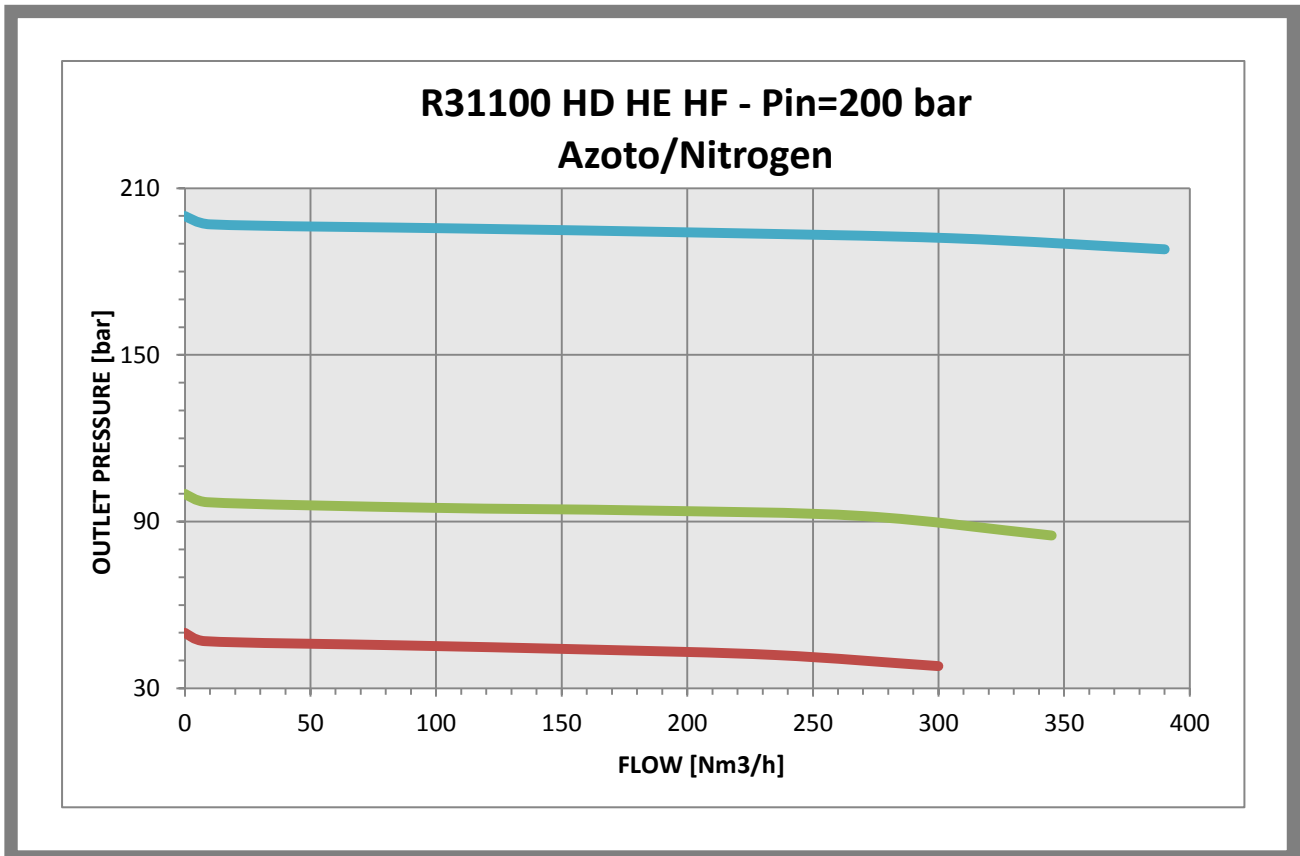
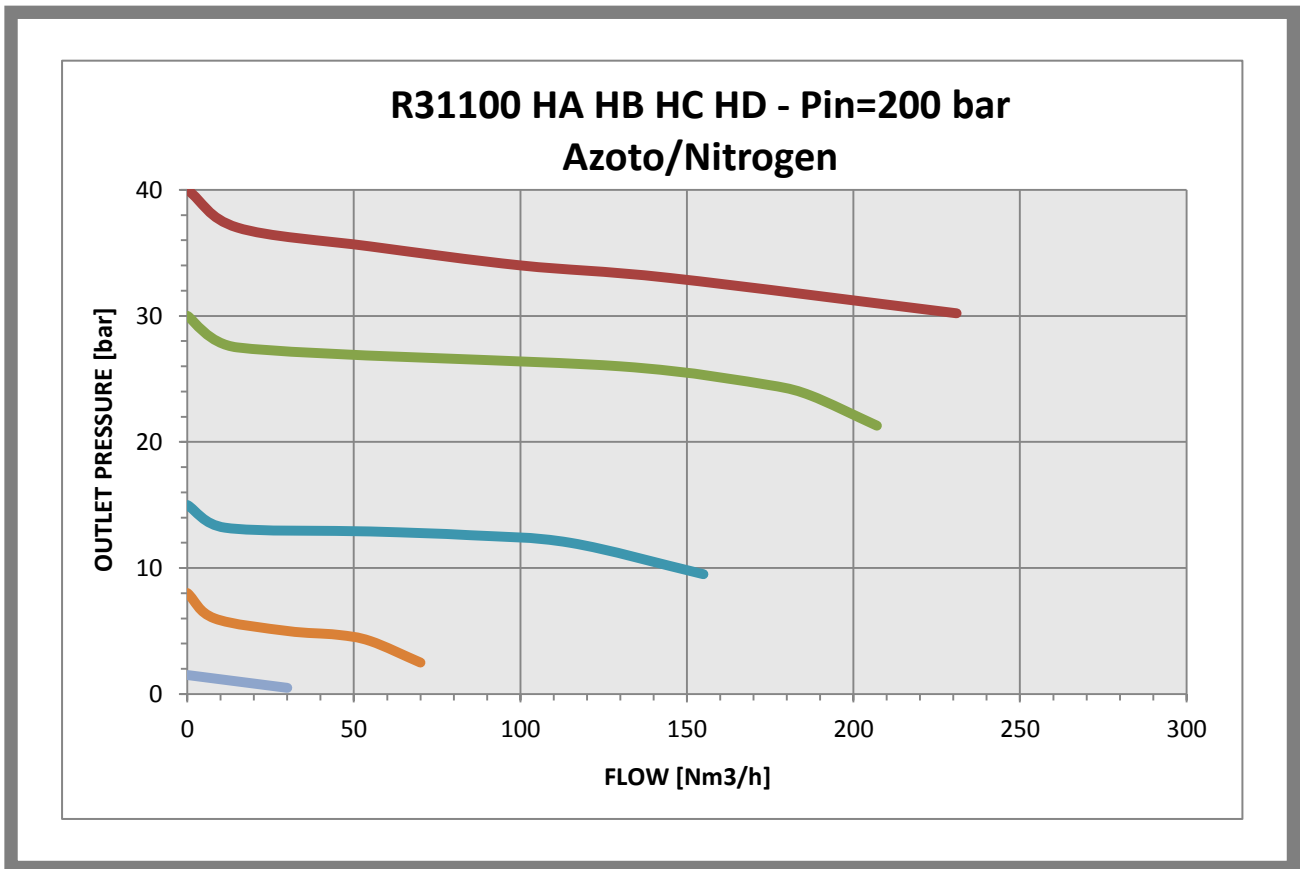
## **SPARE PARTS**

Gauges

Relief valve

Complete kit: gaskets, assembled diaphragm, filter, main valve, O-rings

flow charts



## generating the product code

REGOLATORE R31100 AISI316			
AA BB CC DD E FF			
AA	Attacchi / Connections	00	Vedi tipo di fluido, tabella DD
BB	Pressione d'ingresso / Inlet pressure	B0	PS 15 bar
		J0	PS 220 bar
		L0	PS 80 bar
CC	Intervallo d'uscita/ Outlet range	A0	Pout 0,2 - 1,5 bar
		D0	Pout 0,8 - 8 bar
		E0	Pout 1,5 - 15 bar
		F0	Pout 3-30 bar
		G0	Pout 5-50 bar
		V0	Pout 20-200 bar
		X0	Pout 10-100 bar
DD	Tipologia di fluido / Fluid type	U1	1H - UNI 11144 PED CLASSE III
		U2	2 - UNI 11144
		U3	3 - UNI 11144
		U5	5 - UNI 11144
		U6	6 - UNI 11144
		U8	8 - UNI 11144
E	Marchiato / Marked	I	ID
		Z	Dir ATEX 2014/34/EU
FF	Accessori/Accessories	00	Nessun accessorio
		11	Scarico convogliato

### CODE COMPOSITION EXAMPLE

**31100# 00 J0 E0 U1 I 00**

**31100#:** Regulator R31100 AISI316

**00:** Connection depending on the fluid according to the table DD

**J0:** Inlet pressure 220 bar

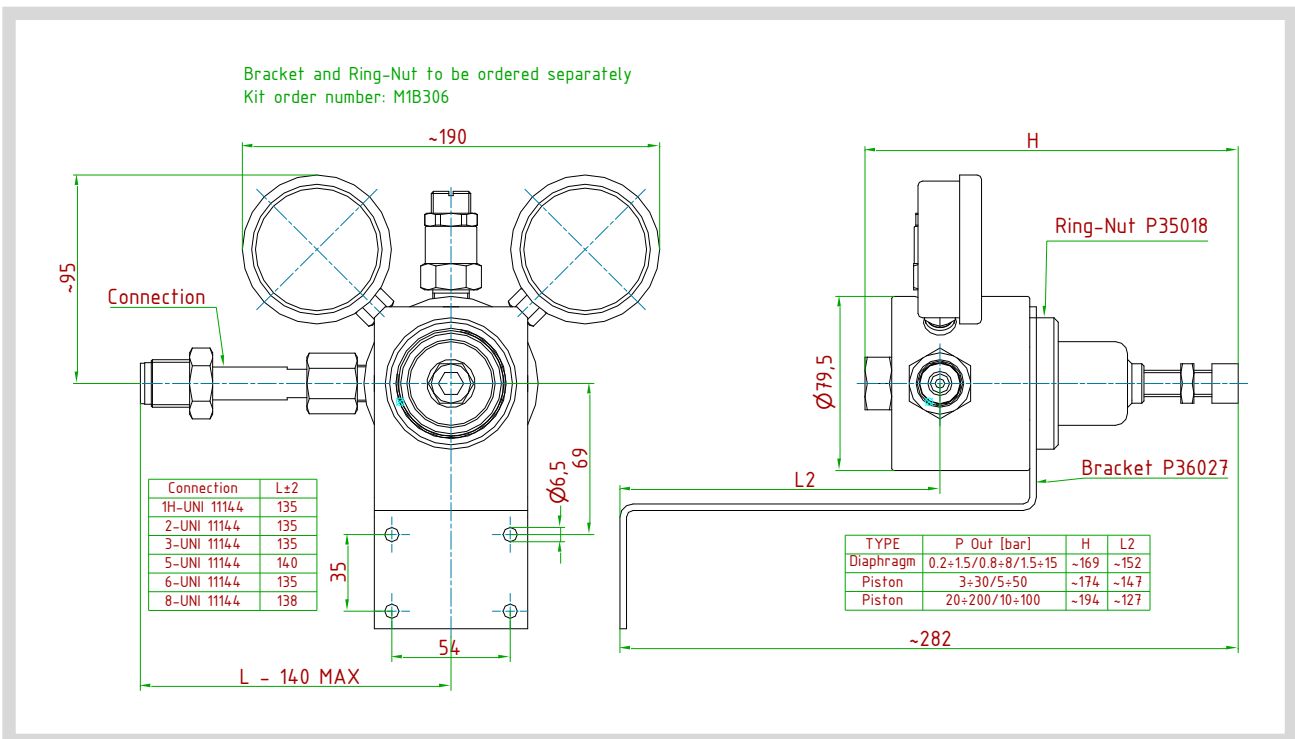
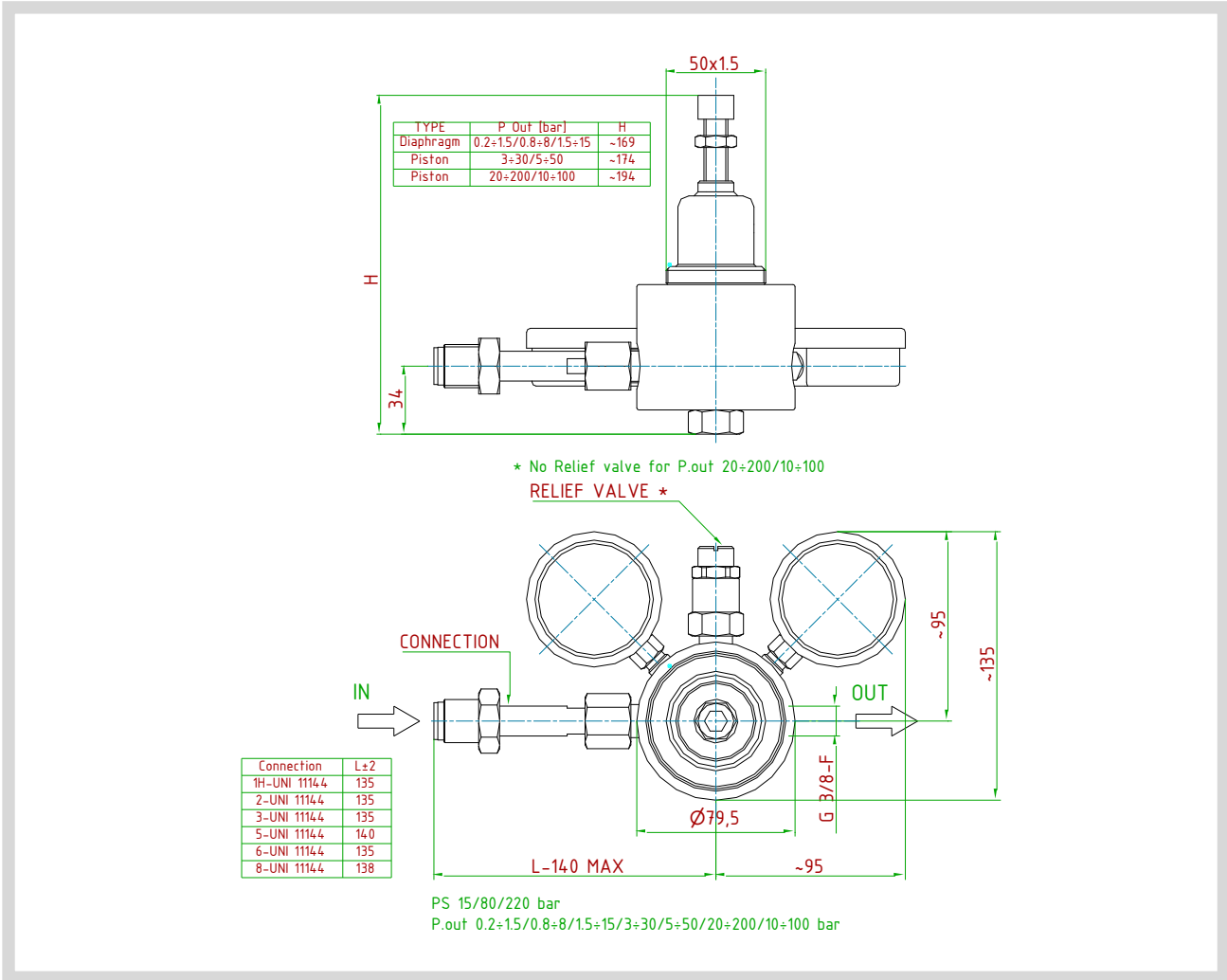
**E0:** Outlet pressure 1,5-15 bar

**U1:** Cylinder inlet connection according to standard UNI 1H-UNI 11144

**I:** ID

**00:** No accessories

# technical drawings (all dimensions in mm)



## **ID Insert Deal Srl**

Strada dei Boschi, 40  
20852 Villasanta (MB) Italia  
tel. +39 039 302035  
[info@idinsertdeal.com](mailto:info@idinsertdeal.com)  
[www.idinsertdeal.com](http://www.idinsertdeal.com)

ID Insert Deal si riserva il diritto di cambiare le specifiche del prodotto senza preavviso.  
ID Insert Deal reserves the right to change and/or modify product specifications without prior notice.

Insert Deal non si assume alcuna responsabilità per la scelta, uso e manutenzione di qualsiasi prodotto. La responsabilità per l'ideale scelta, uso e manutenzione di qualsiasi prodotto ID rimane interamente a carico dell'acquirente.

Insert Deal does not assume responsibility for selection, use and maintenance of any products. Responsibility for proper selection, use and maintenance of any ID products remains entirely to the purchaser.

Riproduzione vietata. Tutti i diritti riservati; nessuna parte del presente documento può essere riprodotta senza autorizzazione di ID Insert Deal Srl.  
Reproduction forbidden. All rights reserved; the hereby document can't be reproduced, also partially, without the authorization of ID Insert Deal Srl.

**PRESSURE REGULATOR\_R31100\_EN\_04**



Azienda con sistema di gestione qualità certificato.  
**certificato N° 50 100 9191**  
Company with certificated quality management system.  
**certificate N° 50 100 9191**