

R190

Aluminium precision pressure regulator



FEATURES

Precision pressure regulator for inlet pressure up to 6 bar (87 psi).

Standard version connections G2-F by flanges screwed to the body. NPT and 1 ½" connections available on request.

Outlet pressure is controlled by a rubber diaphragm. The main valve is balanced.

The product complies with the directive 2014/68/EU PED.

SPECIFICATIONS

Weight: ~15 kg (~33 lb)

Standard version operating temperature: -20°C ÷ +60°C (-4°F ÷ 140° F)

Main valve leakage classification: VI

Flow coefficient: $K_v = 5.7 \text{ Nm}^3/\text{h}$ ($C_v = 6,6 \text{ US gal/min}$)

G $\frac{1}{4}$ ports for outlet pressure gauge

Adjusting screw to set outlet pressure

MATERIALS

Body and bonnet: aluminium

Internal parts: brass/AISI 316L

Main valve spring: stainless steel AISI 302

Adjusting spring: C85 (not in contact with the fluid)

Diaphragm: NBR and PTFE coupled diaphragms (PTFE diaphragm in contact with the fluid)

O-Rings: NBR/EPDM (depending on the fluid)

Main valve gasket: NBR/EPDM (depending on the fluid)

ACCESSORIES

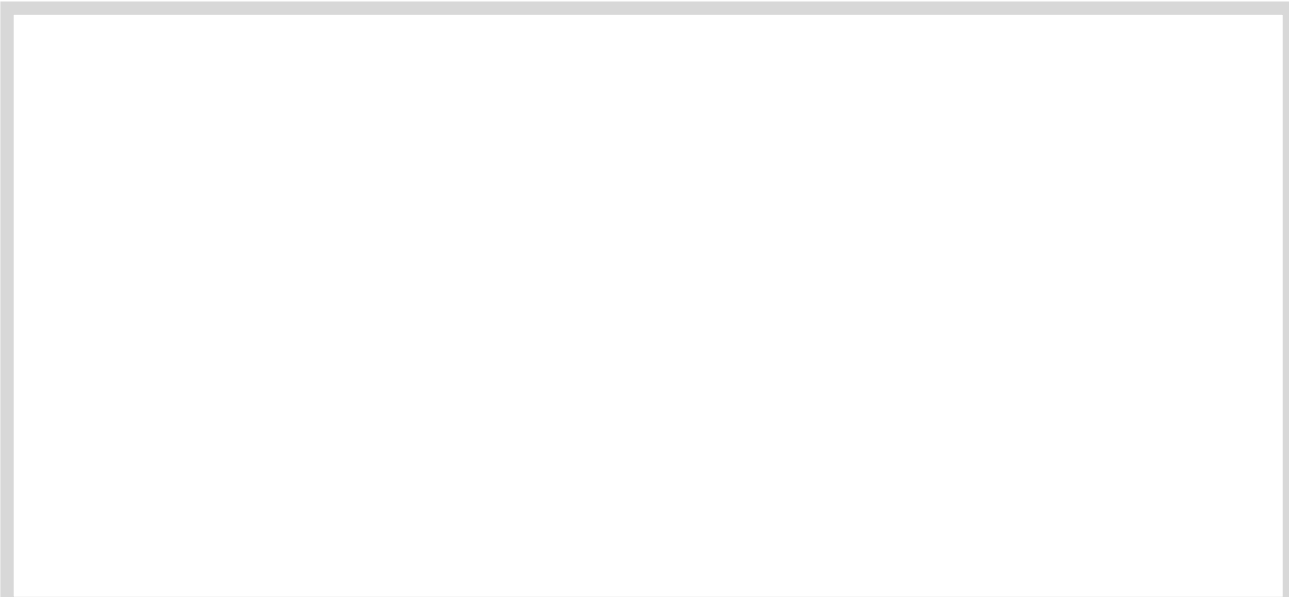
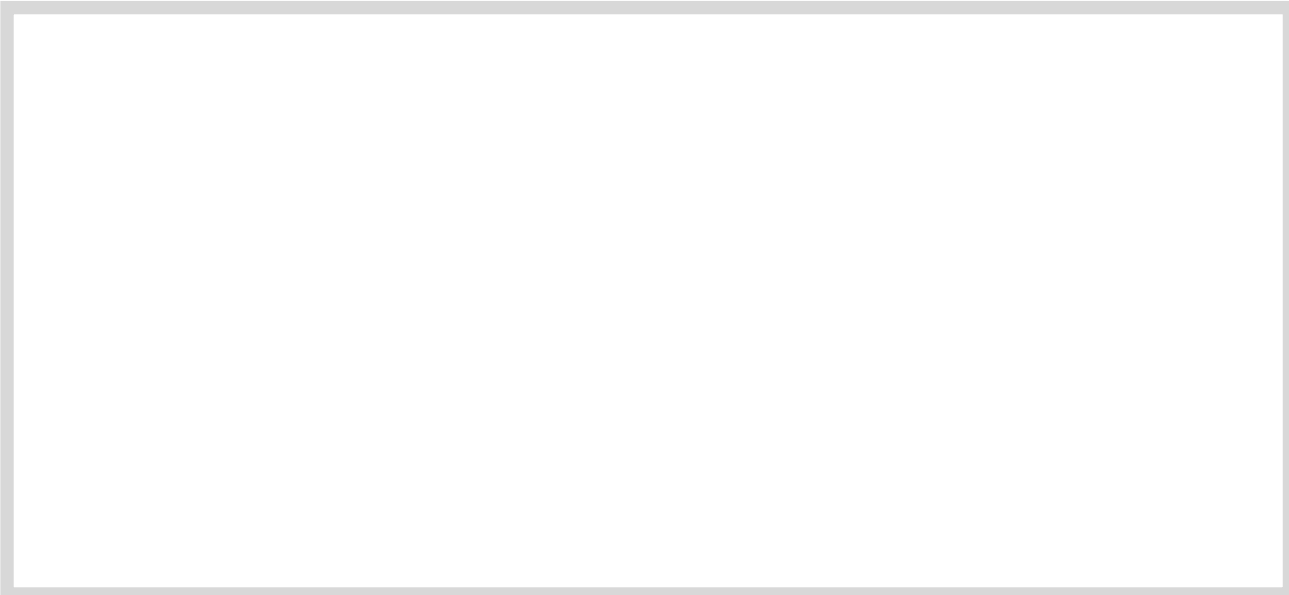
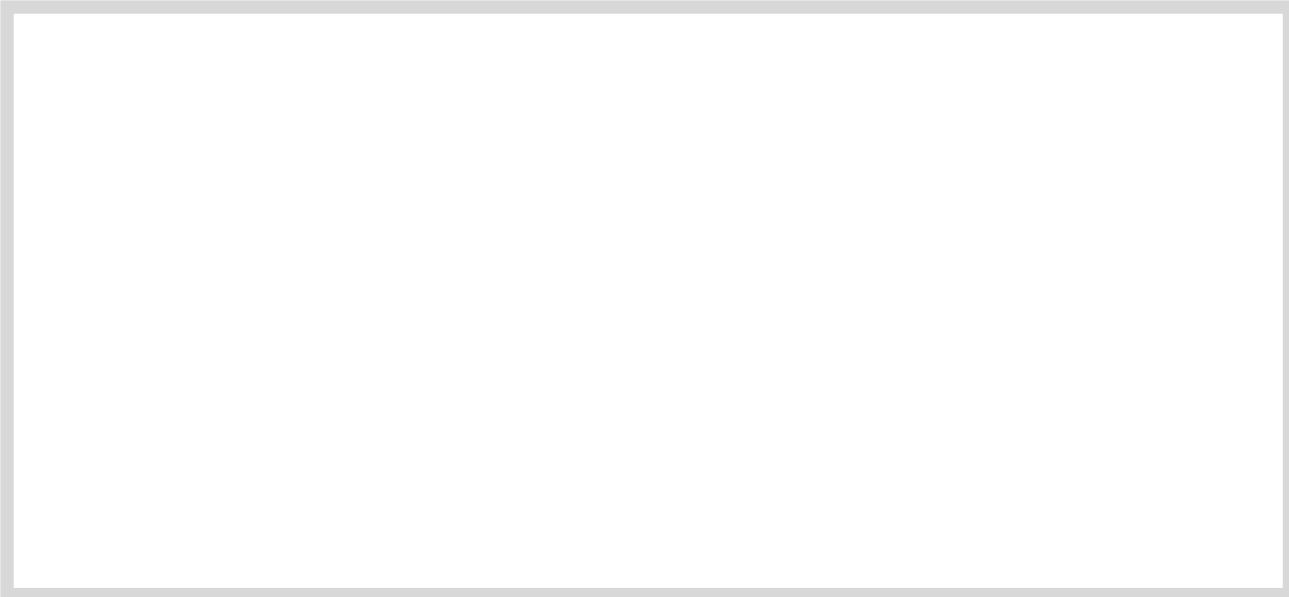
Gauges kit: accuracy class 1.6

SPARE PARTS

Gauges

Complete kit: assembled diaphragm, net filter, main valve, O-rings

flow charts



generating the product code

REGOLATORE R190 LL			
AA BB CC DD E FF			
AA	Attacchi / Connections	T0	G 2-F
BB	Pressione d'ingresso / Inlet pressure	A0	PS 6 bar
CC	Intervallo d'uscita/ Outlet range	B0	MOD D Pout 100 - 1000 mbar
		L0	MOD C Pout 150 - 300 mbar
		R0	MOD A Pout 20 - 50 mbar
		U0	MOD B Pout 50 - 150 mbar
DD	Tipologia di fluido / Fluid type	97	NBR
		98	EPDM
E	Marchiato / Marked	I	ID
FF	Accessori/Accessories	00	Nessun accessorio

CODE COMPOSITION EXAMPLE

190#T0 A0 R0 97 I 00

190#: Regulator R190 in LL

T0: Connection G2-F

A0: Maximum inlet pressure 6 bar

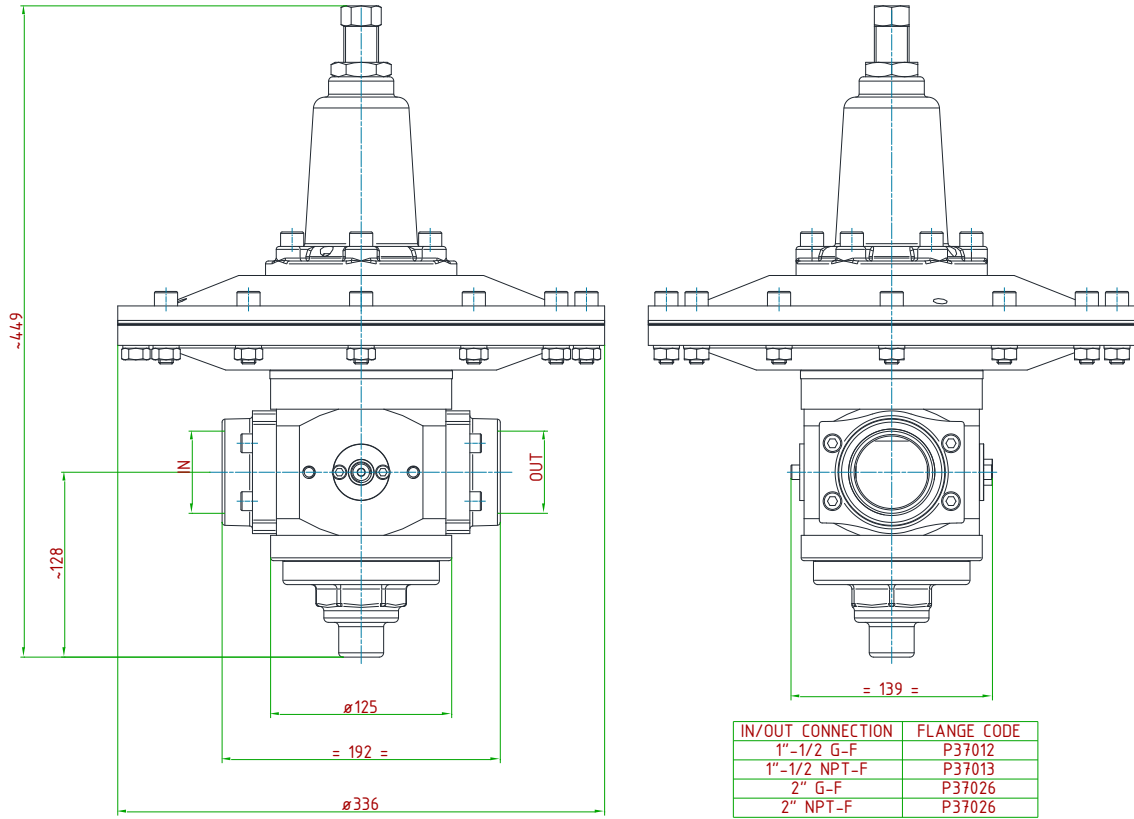
R0: Outlet pressure range 20 - 50 mbar

97: NBR Gaskets

I: ID

00: No accessories

technical drawings (all dimensions in mm)



ID Insert Deal Srl

Strada dei Boschi, 40
20852 Villasanta (MB) Italia
tel. +39 039 30 2035
info@idinsertdeal.com
www.idinsertdeal.com

ID Insert Deal si riserva il diritto di cambiare le specifiche del prodotto senza preavviso.
ID Insert Deal reserves the right to change and/or modify product specifications without prior notice.

Insert Deal non si assume alcuna responsabilità per la scelta, uso e manutenzione di qualsiasi prodotto. La responsabilità per l'ideale scelta, uso e manutenzione di qualsiasi prodotto ID rimane interamente a carico dell'acquirente.

Insert Deal does not assume responsibility for selection, use and maintenance of any products. Responsibility for proper selection, use and maintenance of any ID products remains entirely to the purchaser.

Riproduzione vietata. Tutti i diritti riservati; nessuna parte del presente documento può essere riprodotta senza autorizzazione di ID Insert Deal Srl.
Reproduction forbidden. All rights reserved; the hereby document can't be reproduced, also partially, without the authorization of ID Insert Deal Srl.

3^S-190 - R190_EN_02



Azienda con sistema di gestione qualità certificato.
certificato N° 50 100 9191
Company with certificated quality management system.
certificate N° 50 100 9191