

3POR2

Stainless steel AISI 316L dome loaded pressure regulator,
for compressed air, gas and liquid



FEATURES

Dome loaded pressure regulator for inlet pressure up to 60 bar (870 psi) in the standard version.

Connections by flanges screwed to the body:

G 3/4-F;

G 1-F;

3/4" NPT-F;

1" NPT-F

Connections with EN or ASME flanges available on request.

Outlet pressure, up to 15 bar (218 psi), is controlled by a rubber diaphragm; greater outlet pressures are controlled by a piston. Balanced main valve.

Available the ATEX 2014/34/EU version.

Brand X $\bar{II}2GcIICTX$

X $\bar{II}2DcIICTX$.

For use in potentially explosive atmospheres zones: 1, 21, 2, 22 (not applicable in mines and zone 0).

Available the EAC-EX TP TC 012/2011 versions for the Russian market.

The product complies with the directive 2014/68/EU PED.

SPECIFICATIONS

Weight 3POR2:

-diaphragm model ~7,63 kg (~16,8 lb)

- piston model~10.1 kg (~ 22,2 lb)

Operating temperature: -20°C ÷ +80°C (-4 °F ÷ +176 °F) for standard version

Main valve leakage classification: VI (bubble tight)

Flow coefficient: Kv= 6 Nm³/h Cv = 7 US gal/min

Degree of protection: IP25

MATERIALS

Body and bonnet: stainless steel AISI 316L

Internal parts: stainless steel AISI 316L

Main valve spring: stainless steel AISI 302

Diaphragm: NBR+PTFE

Piston: stainless steel AISI 316L

Gaskets: FPM or EPDM depending on the fluid (different compounds available on request)

ACCESSORIES

Pilot regulator

Wall mounting bracket: P36107030304

Gauge for outlet pressure

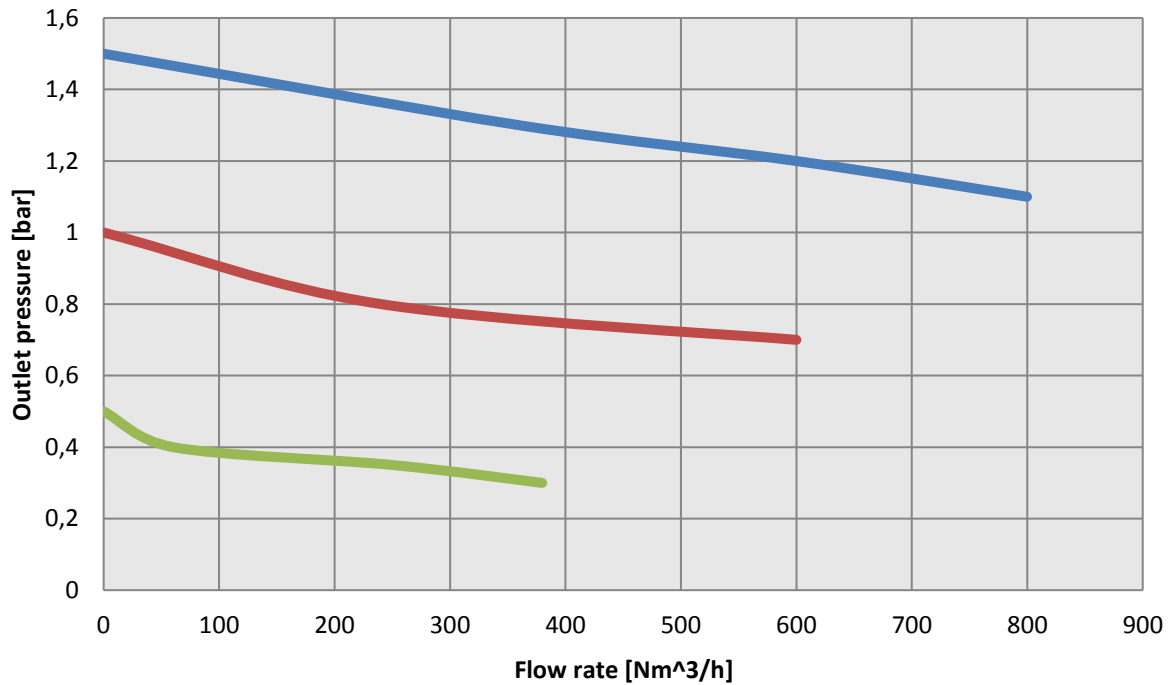
SPARE PARTS

Gauges

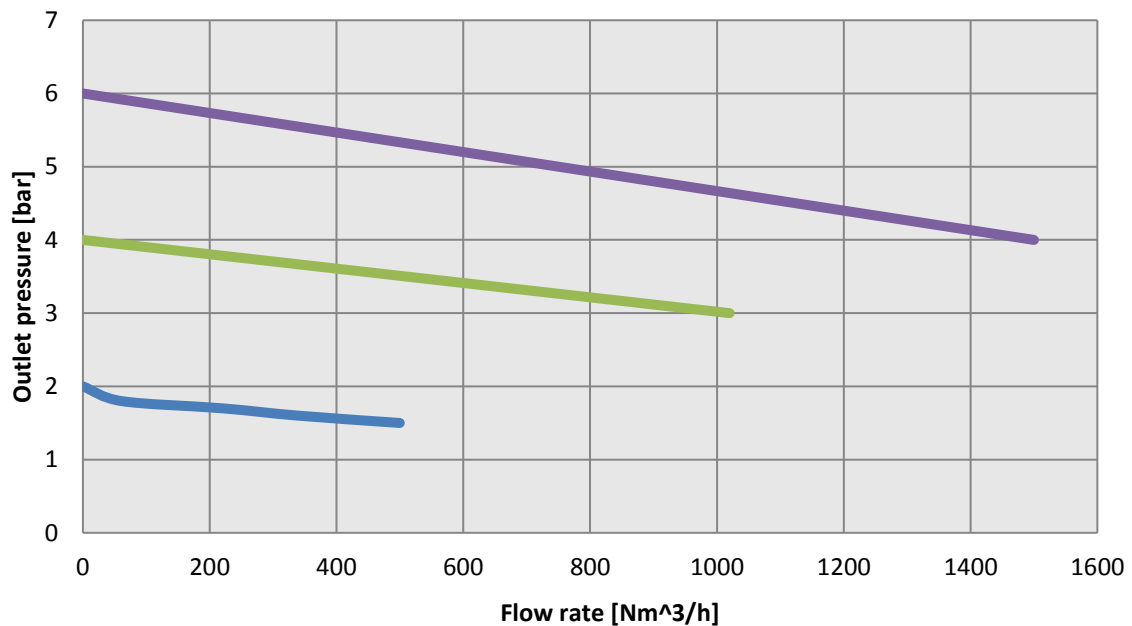
Complete kit: net filter, complete main valve, O-rings, assembled diaphragm.

flow charts

3P0R2 Pout 0,2÷1,5 bar - Pin=10 bar - Aria/Air



3P0R2 Pout 0,8÷8 bar - Pin=10 bar - Aria/Air



generating the product code

Regolatore pilotato 2° stadio 3POR2 AISI 316L			
AA BB CC DD E FF GG			
AA	Attacchi / Connections	Q0	G 3/4-F
		R0	G 1-F
BB	Pressione ingresso / Inlet pressure	N0	50 bar
CC	Intervallo uscita - Outlet range	E2	Pout 0÷15 bar
		G2	Pout 0÷50 bar
DD	Tipologia di fluido / Fluid type	98	EPDM
		99	FPM
E	Relieving / Relieving	0	Non relieving
		1	Relieving
F	Marchiato / Marked	I	ID
		Z	Dir ATEX 2014/34/EU
GG	Accessori / Accessories	00	Nessun accessorio
		06	Manometro

CODE COMPOSITION EXAMPLE

3POR2#R0 N0 E2 99 1 I 00

3POR2#: Dome loaded pressure regulator 3POR2 AISI 316 L

R0: connection G 1-F

N0: maximum inlet pressure 60 bar

E2: outlet pressure range 0÷15 bar

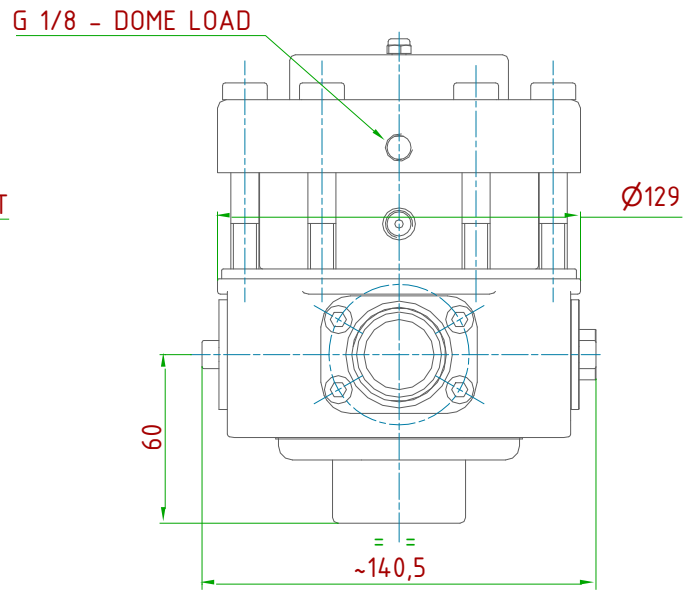
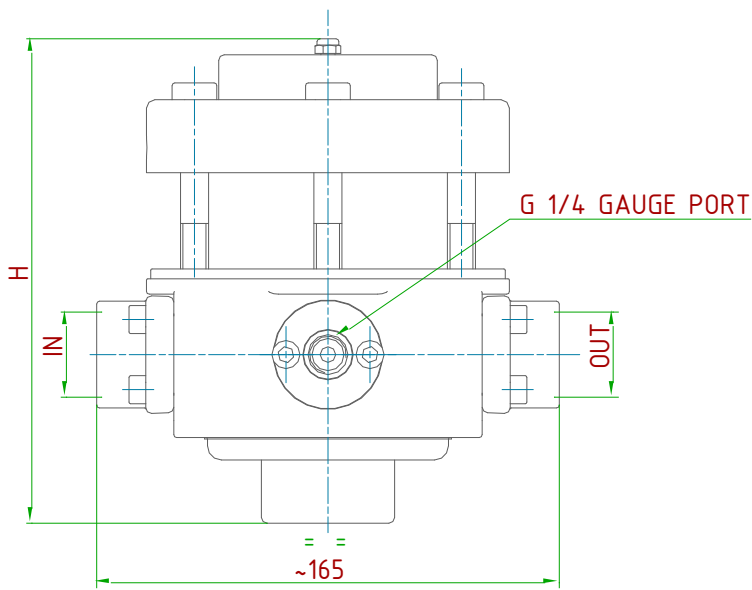
99: FPM gaskets

1: Relieving

I: ID

00: No accessories

technical drawings (all dimensions in mm)



MODEL	IN/OUT	Gauge port
G 1-F / G1/4 gauge port	G 1-F	G 1/4-F
1"NPT-F / 1/4"NPT-F gauge port	1"NPT-F	1/4"NPT-F

VERSION	H
Diaphragm	~138 mm
Piston	~173 mm

ID Insert Deal Srl

Strada dei Boschi, 40
20852 Villasanta (MB) Italia
tel. +39 039 302035
info@idinsertdeal.com
www.idinsertdeal.com

ID Insert Deal si riserva il diritto di cambiare le specifiche del prodotto senza preavviso.
ID Insert Deal reserves the right to change and/or modify product specifications without prior notice.

Insert Deal non si assume alcuna responsabilità per la scelta, uso e manutenzione di qualsiasi prodotto. La responsabilità per l'ideale scelta, uso e manutenzione di qualsiasi prodotto ID rimane interamente a carico dell'acquirente.

Insert Deal does not assume responsibility for selection, use and maintenance of any products. Responsibility for proper selection, use and maintenance of any ID products remains entirely to the purchaser.

Riproduzione vietata. Tutti i diritti riservati; nessuna parte del presente documento può essere riprodotta senza autorizzazione di ID Insert Deal Srl.
Reproduction forbidden. All rights reserved; the hereby document can't be reproduced, also partially, without the authorization of ID Insert Deal Srl.

PRESSURE REGULATOR_3POR2_EN_02



Azienda con sistema di gestione qualità certificato.
certificato N° 50 100 9191
Company with certificated quality management system.
certificate N° 50 100 9191