

310R3

Stainless steel AISI 316L precision pressure regulator



FEATURES

Precision pressure regulator for inlet pressure up to 7 bar (101 psi).

Connections 3/4"-F, 1"-F, 1"1/4-F and 1"1/2-F by flanges screwed to the body. Other connections available on request.

Outlet pressure is controlled by a rubber diaphragm.

The regulator's main valve is balanced.

Available the ATEX 2014/34/EU version
Brand $\text{CE} \text{II}2\text{GcIICTX}$
 $\text{CE} \text{II}2\text{DcIICTX}$.

For use in potentially explosive atmospheres zones: 1, 21, 2, 22 (not applicable in mines and zone 0).

Available the EAC-EX TP TC 012/2011 versions for the Russian market.

The product complies with the directive 2014/68/EU PED.

SPECIFICATIONS

Weight model A/B/C: ~15,1 kg (~33,3 lb)

model D/E: ~16,5 kg (~36,2 lb)

Operating temperature: -20°C ÷ +80°C (-4°F ÷ 176°F) for standard version

Main valve leakage classification: VI (bubble tight)

Flow coefficient: $K_v = 2,1 \text{ m}^3/\text{h}$ - $C_v = 2,5 \text{ US gal/min}$ (Models A/B/C)

$K_v = 4 \text{ m}^3/\text{h}$ - $C_v = 4,7 \text{ US gal/min}$ (Model D/E)

Degree of protection: IP25

G 1/4 or 1/4" NPT ports for outlet pressure gauge

MATERIALS

Body and bonnet: stainless steel AISI 316L

Internal parts: stainless steel AISI 316L

Main valve spring: stainless steel AISI 302

Adjusting spring: C85 nickel plated NiP/Fe 15 µm, not in contact with the fluid

Diaphragm: NBR and PTFE coupled diaphragms (PTFE diaphragm in contact with the fluid)

Gaskets: FPM (EPDM for NH₃, CO₂ and N₂O)

ACCESSORIES

Gauge kit: accuracy class 1,6

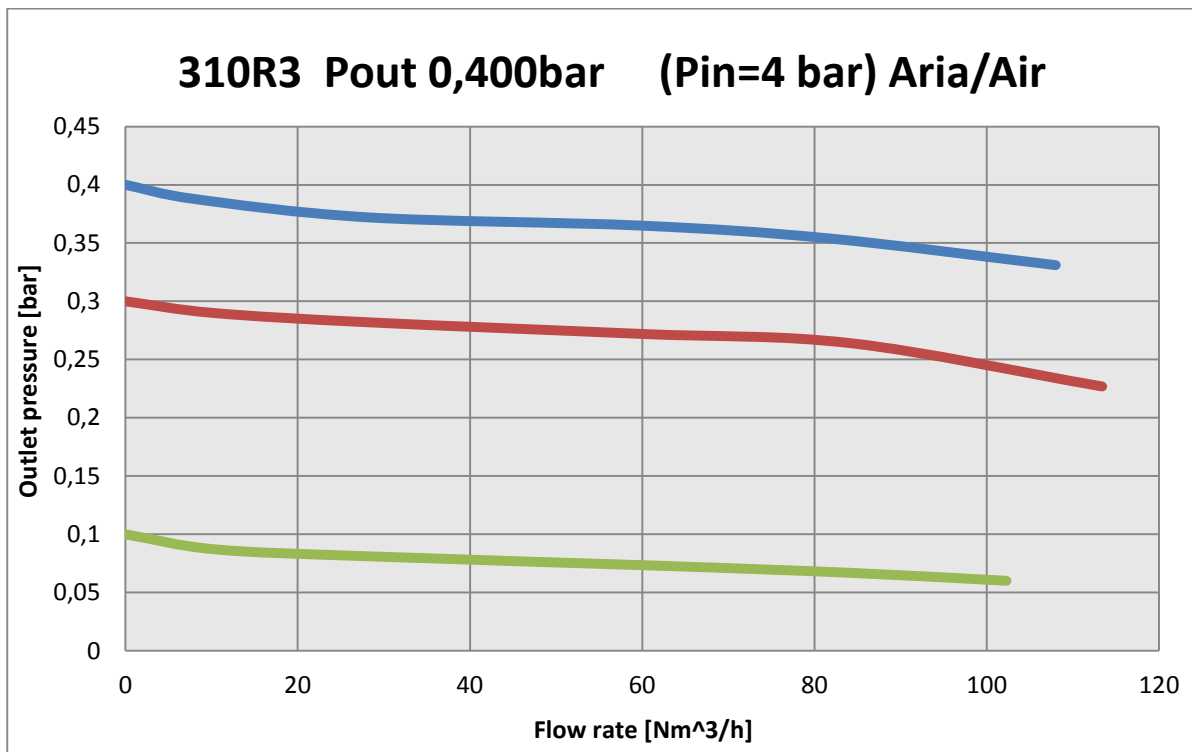
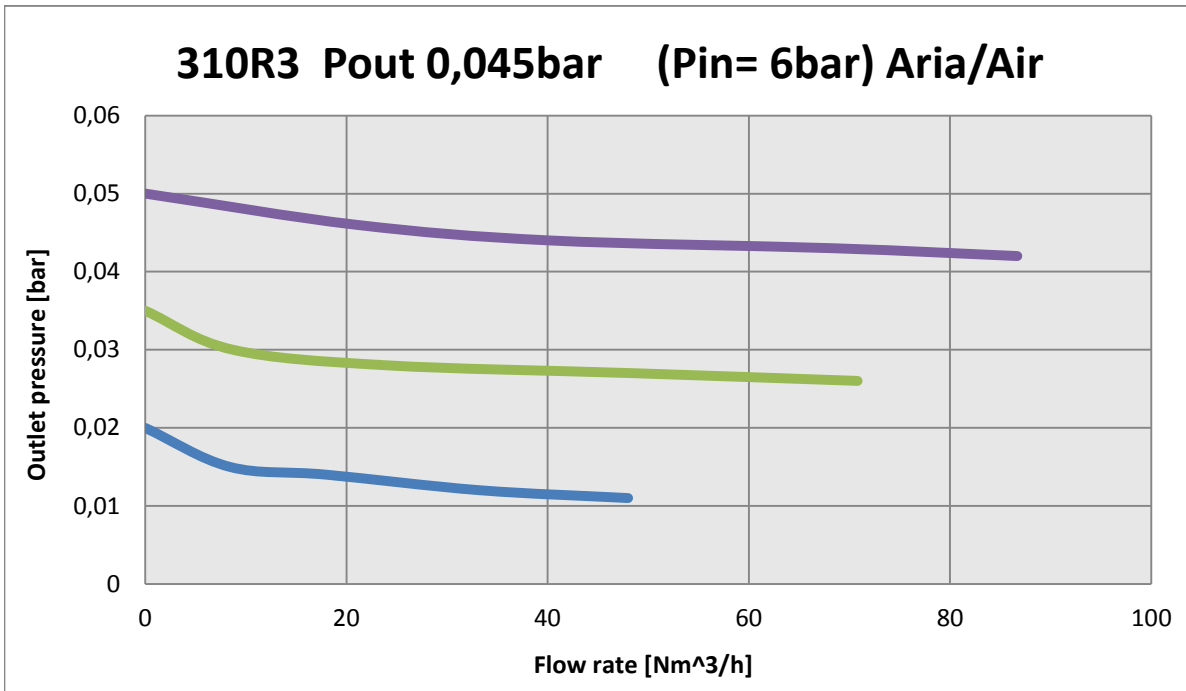
Gasket material different from standard

SPARE PARTS

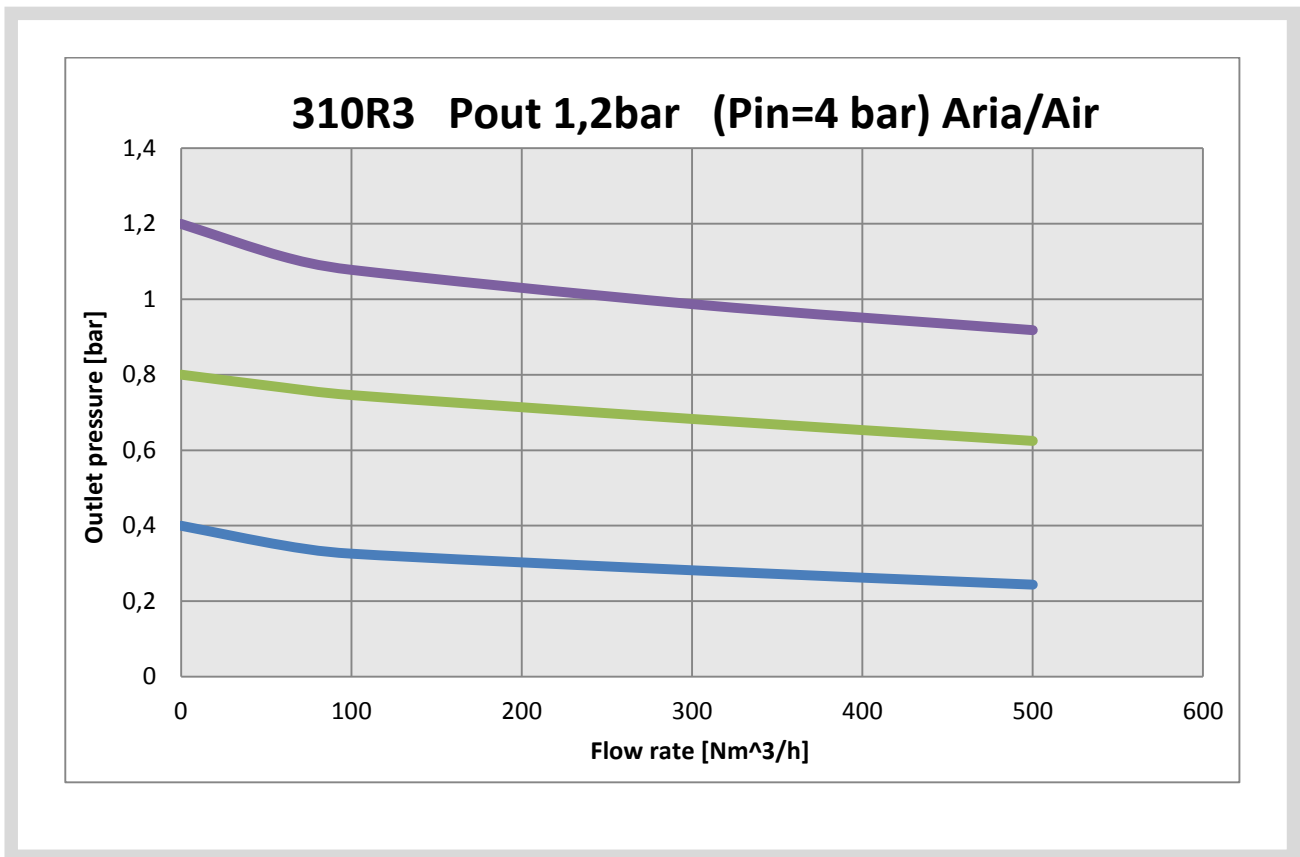
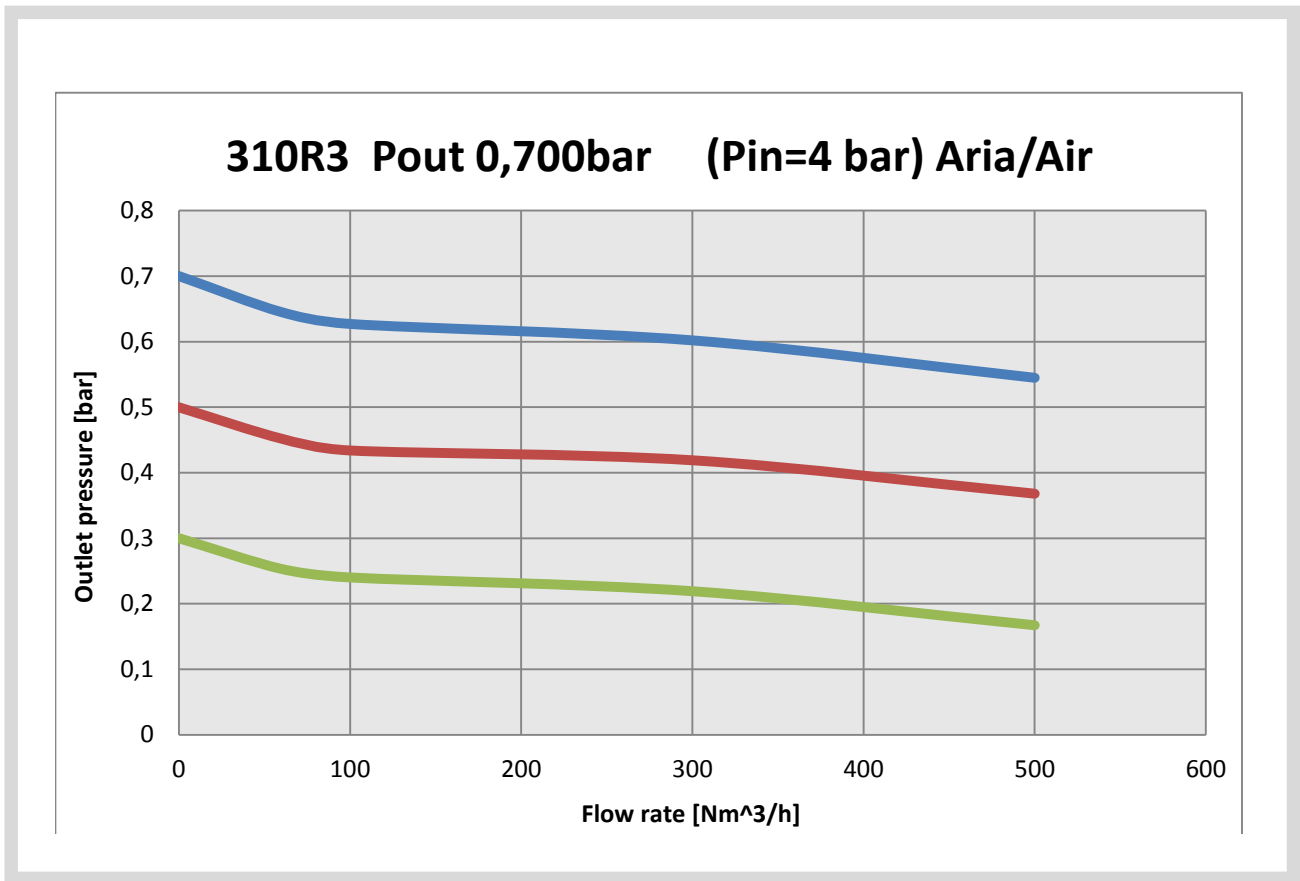
Gauges

Complete kit: assembled diaphragm, net filter, main valve, O-rings

flow chart



flow chart



generating the product code

Regolatore 3° stadio 310R3 AISI 316L			
AA BB CC DD EE FF			
AA	Attacchi / Connections	Q0	G 3/4-F
		R0	G 1-F
		J0	G 1"1/4-F
		S0	G 1"1/2-F
BB	Pressione ingresso / Inlet pressure	I0	PS 7bar
CC	Intervallo uscita - Outlet range	N0	Mod. A Pout 5÷45 mbar
		J0	Mod. B Pout 10÷120 mbar
		K0	Mod. C Pout 10÷400 mbar
		T1	Mod. D Pout 15÷700 mbar
		AA	Mod. E Pout 0,2÷1,2 bar
DD	Tipologia di fluido / Fluid type	15	O2
		98	EPDM
		99	FPM
EE	Marchiato / Marked	I0	ID
		Z0	Dir. ATEX 2014/34/UE
FF	Accessori / Accessories	0	Nessun accessorio

CODE COMPOSITION EXAMPLE

310R3# R0 I0 N0 99 I0 0

310R3#: AISI 316 L precision regulator 310R3

R0: connection G 1-F

I0: maximum inlet pressure 7 bar

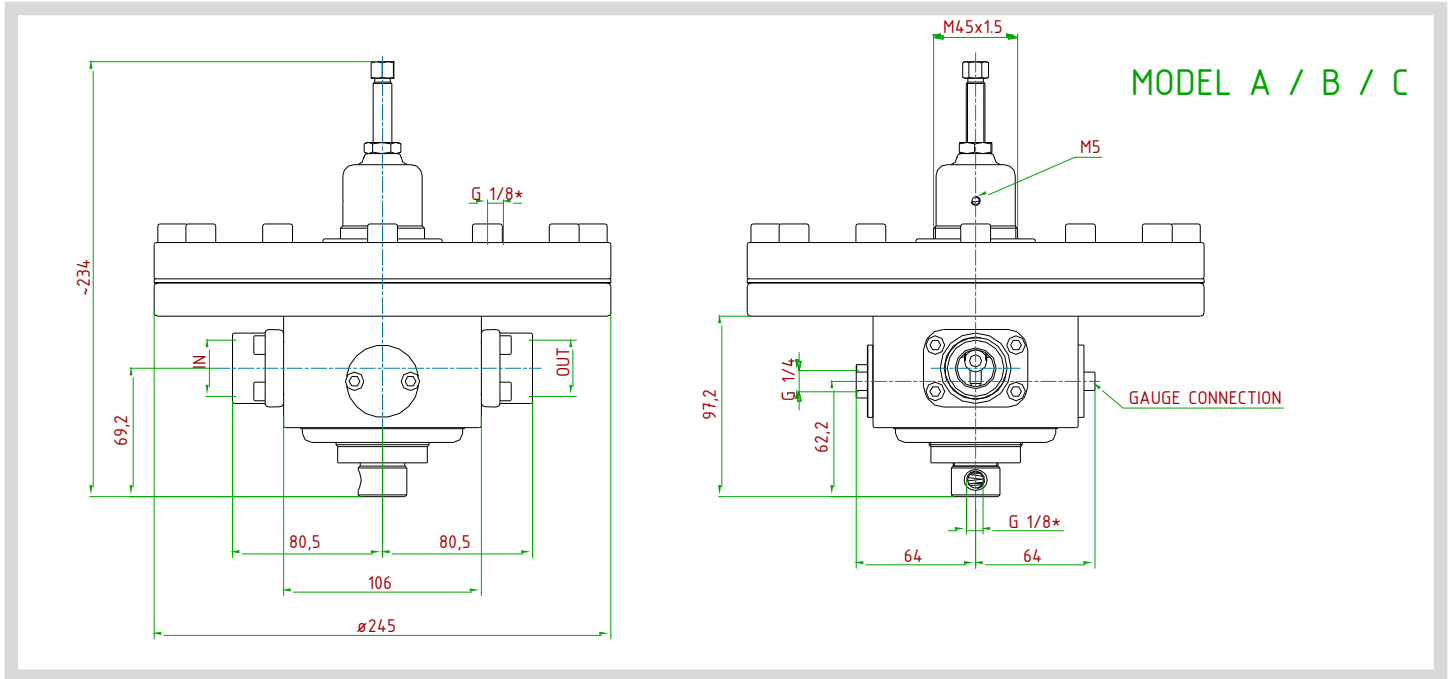
N0: Outlet pressure range 5÷45 mbar

99: FPM gaskets

I0: Insert Deal

00: No accessories

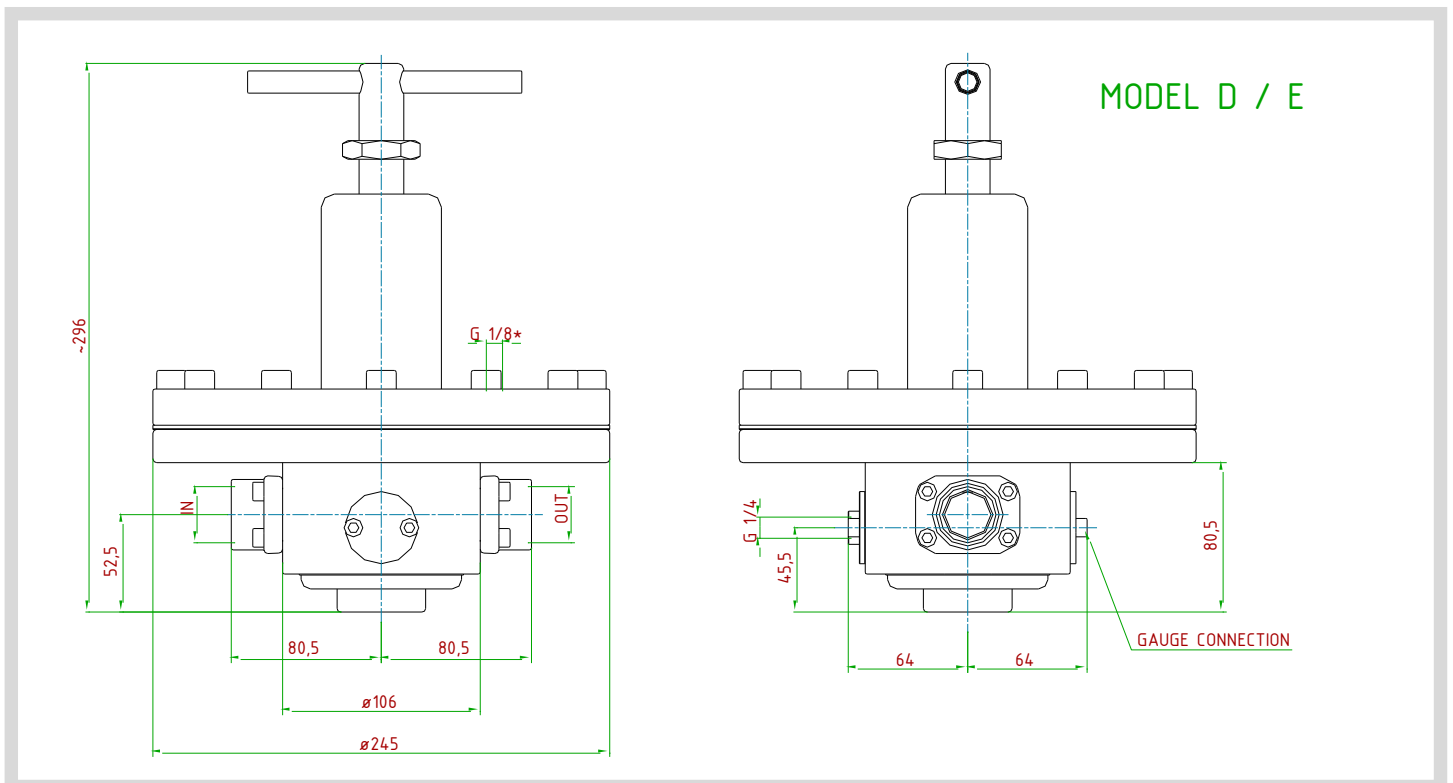
technical drawings (dimensions in mm)



MODEL A / B / C

TYPE	IN/OUT	GAUGE CONNECTION
310R3 3/4" GF	G 3/4 -F	G 1/4
310R3 1" GF	G 1 -F	G 1/4
310R3 3/4"NPTF	3/4" NPT-F	1/4" NPT-F
310R3 1"-NPTF	1" NPT-F	1/4" NPT-F

*For pipe connection when required; Random orientation



MODEL D / E

ID Insert Deal Srl

Strada dei Boschi, 40
20852 Villasanta (MB) Italia
tel. +39 039 30 2035
info@idinsertdeal.com
www.idinsertdeal.com

ID Insert Deal si riserva il diritto di cambiare le specifiche del prodotto senza preavviso.
ID Insert Deal reserves the right to change and/or modify product specifications without prior notice.

Insert Deal non si assume alcuna responsabilità per la scelta, uso e manutenzione di qualsiasi prodotto. La responsabilità per l'ideale scelta, uso e manutenzione di qualsiasi prodotto ID rimane interamente a carico dell'acquirente.

Insert Deal does not assume responsibility for selection, use and maintenance of any products. Responsibility for proper selection, use and maintenance of any ID products remains entirely to the purchaser.

Riproduzione vietata. Tutti i diritti riservati; nessuna parte del presente documento può essere riprodotta senza autorizzazione di ID Insert Deal Srl.
Reproduction forbidden. All rights reserved; the hereby document can't be reproduced, also partially, without the authorization of ID Insert Deal Srl.

PRESSURE REGULATOR_310R3_EN_03



Azienda con sistema di gestione qualità certificato.
certificato N° 50 100 9191
Company with certificated quality management system.
certificate N° 50 100 9191