

310R2

Stainless steel AISI 316L pressure regulator “serie 10”
for compressed air, gas and liquids



FEATURES

Pressure regulator for inlet pressure up to 50 bar (725 psi) in the standard version.

Connections $\frac{3}{4}$ "-F, 1"-F, 1"1/4-F and 1"1/2-F by flanges screwed to the body .
Other connections available on request.

Outlet pressure is controlled by a piston in stainless steel (AISI 316L).
Main valve is balanced.

Available the ATEX 2014/34/EU version
Brand $\text{CE} \text{ II 2 Gc I I C T X}$
 $\text{CE} \text{ II 2 Dc I I I C T X}$.

For use in potentially explosive zones: 1, 21, 2, 22 (not applicable in mines and zone 0).

Available the EAC-EX TP TC 012/2011 versions for the Russian market.

The product complies with the directive 2014/68/EU (PED).

Available units composed of:
Filter + Regulator + Lubrifier

SPECIFICATIONS

Weight: ~3,6 Kg (~ 7,9 lb)

Operating temperature: -20°C ÷ +80°C (-4 ÷ + 176° F) for standard version

Main valve leakage classification: VI (bubble tight)

Flow coefficient: Kv= 3 Nm³/h

Degree of protection: IP25

G ¼ ports for outlet pressure gauge

MATERIALS

Body and bonnet: stainless steel AISI 316L

Internal parts: stainless steel AISI 316L

Main valve spring: stainless steel AISI 302

Adjusting spring: C85 nickel plated NiP/Fe 15 µm, not in contact with the fluid

Piston: stainless steel AISI 316L

O-Rings: FPM (other compounds available on request)

Main valve gasket: FPM (other compounds available on request)

ACCESSORIES

Gauges: accuracy class 1,6

Lock-nut

Bracket and lock-nut Kit

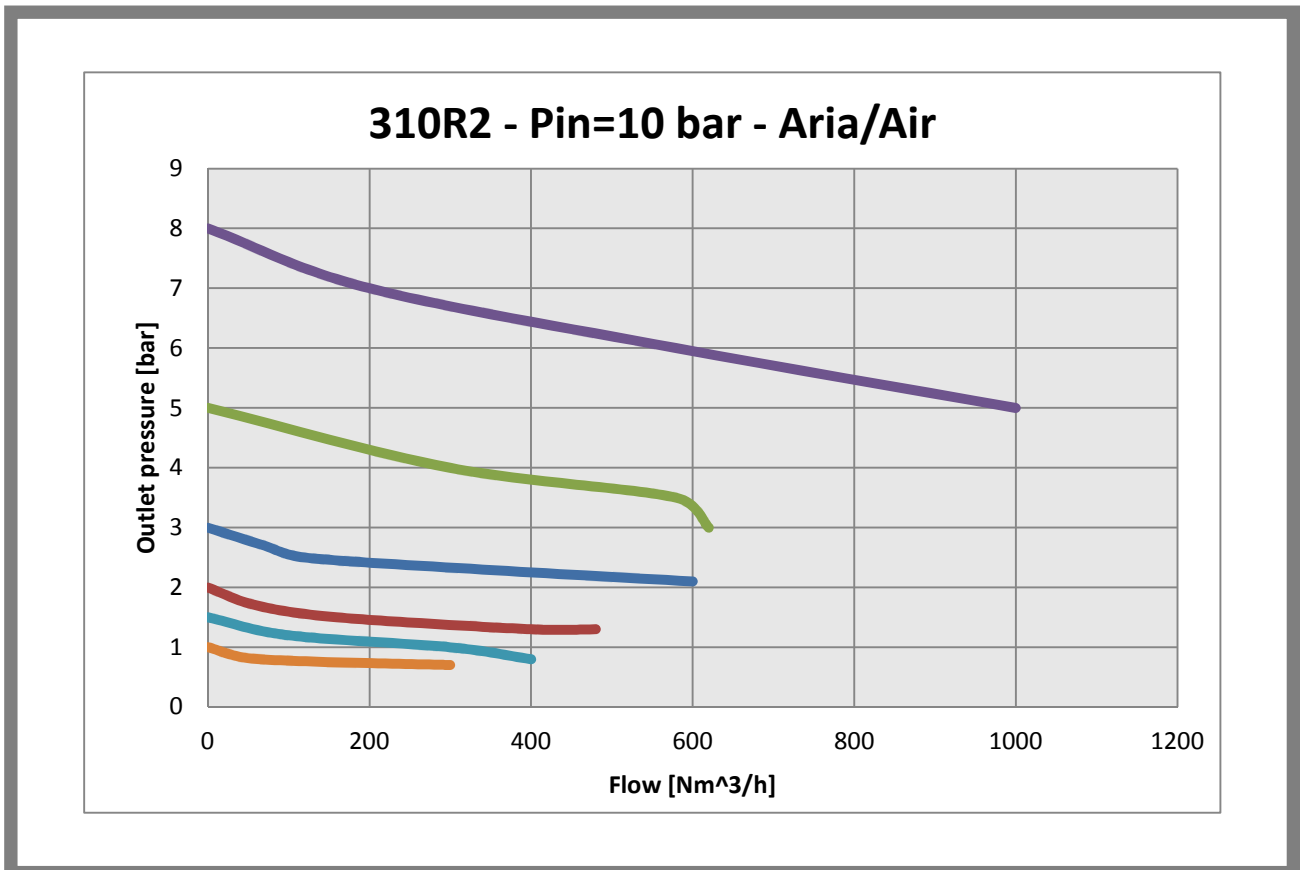
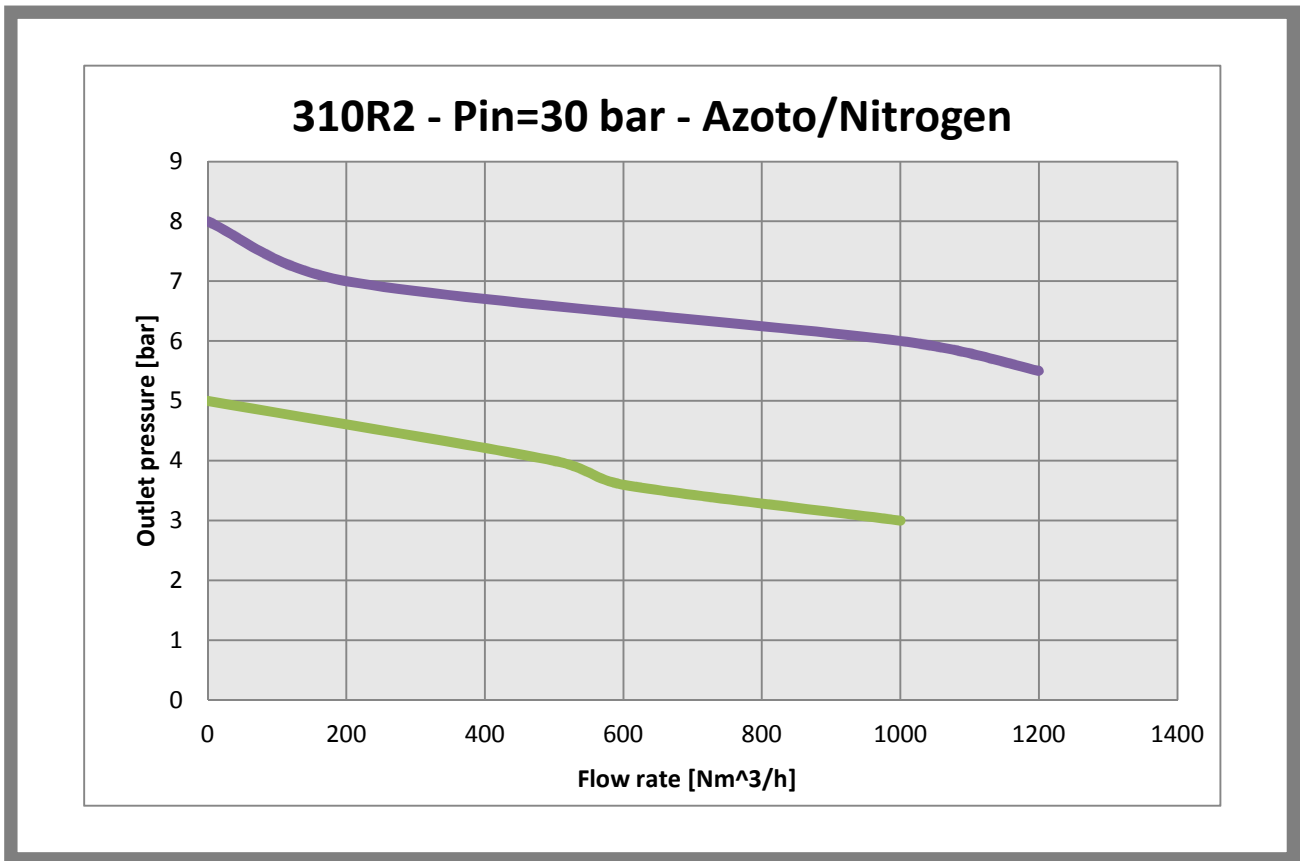
Overpressure relieving function (not for gas and liquids)

SPARE PARTS

Gauges

Complete Kit: net filter, complete main valve, o-rings.

flow charts



generating the product code

Regolatore 2° stadio taglia 10 AISI316			
AA BB CC DD E F GG			
AA	Attacchi / Connections	Q0	G 3/4-F
		R0	G1-F
		J0	G 1" 1/4-F
		S0	G 1" 1/2-F
BB	Pressione d'ingresso / Inlet pressure	D0	PS 30 bar
		E0	PS 50 bar
CC	Intervallo d'uscita/ Outlet range	A0	Pout 0,2÷1,5 bar
		B0	Pout 0,3÷3 bar
		D0	Pout 0,8÷8 bar
		E0	Pout 1,5÷15 bar
		F0	Pout 3÷30 bar
		G0	Pout 5÷50 bar
DD	Tipologia di fluido / Fluid type	15	O2
		18	EPDM x liquidi
		19	FPM x liquidi
		98	EPDM
		99	FPM
E	Scarico / Drain	0	No Relieving
		1	Relieving
F	Marchiato / Marked	I	ID
		Z	Dir. ATEX 2014/34/EU
GG	Accessori / Accessories	00	Nessun accessorio / No accessories
		06	Manometro / Pressure gauge

CODE COMPOSITION EXAMPLE

310R2#R0 D0 D0 99 0 I 00

310R2#: Regulator 2°Stage "serie 10" AISI 316L

R0: Connection G 1-F

D0: Maximum inlet pressure 30 bar

D0: Outlet pressure range 0,8-8 bar

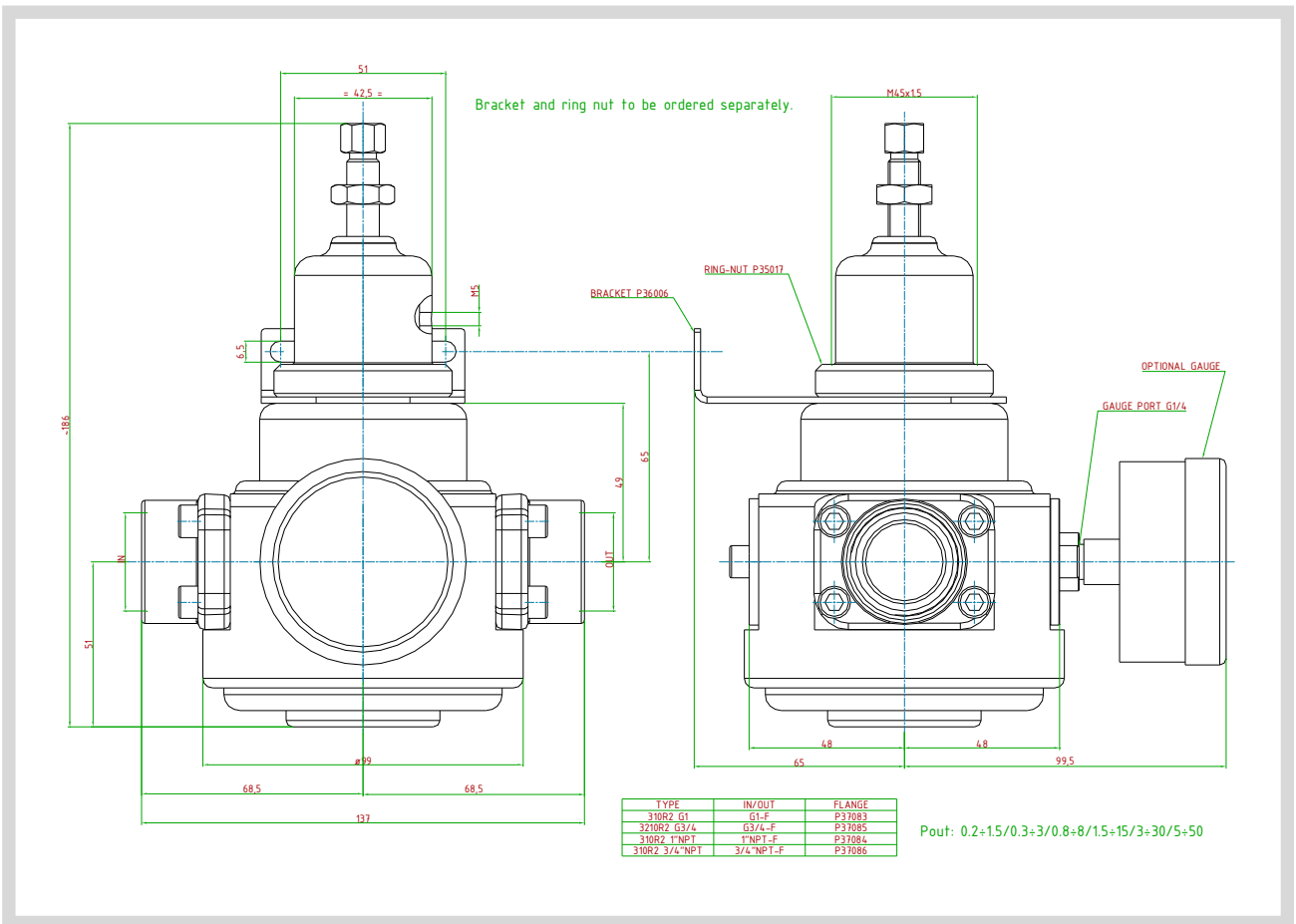
99: O-rings in FPM

0: Not relieving

I: Insert Deal

00: No accessories

technical drawings (all dimensions in mm)



ID Insert Deal Srl

Strada dei Boschi, 40
20852 Villasanta (MB) Italia
tel. +39 039 302035
info@idinsertdeal.com
www.idinsertdeal.com

ID Insert Deal si riserva il diritto di cambiare le specifiche del prodotto senza preavviso.
ID Insert Deal reserves the right to change and/or modify product specifications without prior notice.

Insert Deal non si assume alcuna responsabilità per la scelta, uso e manutenzione di qualsiasi prodotto. La responsabilità per l'ideale scelta, uso e manutenzione di qualsiasi prodotto ID rimane interamente a carico dell'acquirente.

Insert Deal does not assume responsibility for selection, use and maintenance of any products. Responsibility for proper selection, use and maintenance of any ID products remains entirely to the purchaser.

Riproduzione vietata. Tutti i diritti riservati; nessuna parte del presente documento può essere riprodotta senza autorizzazione di ID Insert Deal Srl.
Reproduction forbidden. All rights reserved; the hereby document can't be reproduced, also partially, without the authorization of ID Insert Deal Srl.

PRESSURE REGULATOR_310R2_EN_03



Azienda con sistema di gestione qualità certificato.
certificato N° 50 100 9191
Company with certificated quality management system.
certificate N° 50 100 9191