

210R2

Aluminium pressure regulator series 10, suitable for compressed air and gases.



FEATURES

Pressure regulator for inlet pressure up to 30 bar (435 psi).

Connections

3/4"-F;

1" -F;

1" 1/4-F;

1" 1/2-F

GAS or NPT, by flanges screwed to the body.

Connections with EN or ASME flanges available on request.

A piston in aluminum controls outlet pressure.

The main valve is balanced.

Overpressure relieving function, available for compressed air version.

Available the ATEX 2014/34/EU version

Brand $\text{CE} \text{ II2GclICTX}$

$\text{CE} \text{ II2DclIICTX}$.

For use in potentially explosive atmospheres zones: 1, 21, 2, 22 (not applicable in mines and zone 0).

The product complies with the directive 2014/68/EU PED.

Available units composed of:
Filter + regulator + lubricator.

SPECIFICATIONS

Weight: ~2.9 kg (~6.4lb)

Operating temperature: -20°C ÷ +60°C (-4°F ÷ 140°F)

Main valve leakage classification: VI (bubble tight)

Flow coefficient Kv= 5.4 Nm³/h (CV = 6.3 US gal/min)

Degree of protection: IP25

1/4" gauge port for outlet pressure by flanges screwed to the body.

MATERIALS

Body and bonnet: aluminium

Internal parts: aluminium/brass

Main valve spring: stainless steel AISI 302

Adjusting spring: C85 (not in contact with the fluid)

Piston: aluminium

O-Rings: NBR/EPDM according to the gas

Main valve gasket: NBR/EPDM according to the gas

ACCESSORIES

Bracket for wall mounting

Ring nut for panel mounting

Dome loaded version: outlet pressure to be controlled by a pilot pressure.

Outlet pressure gauge.

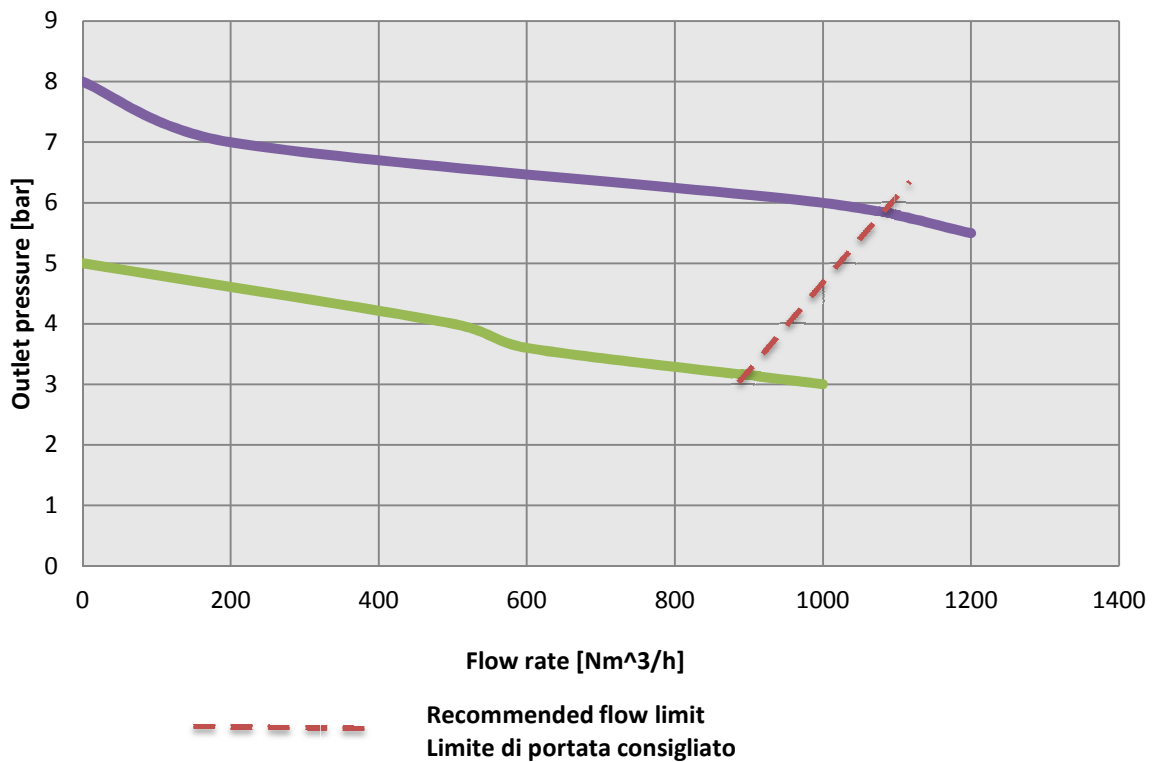
SPARE PARTS

Gauges

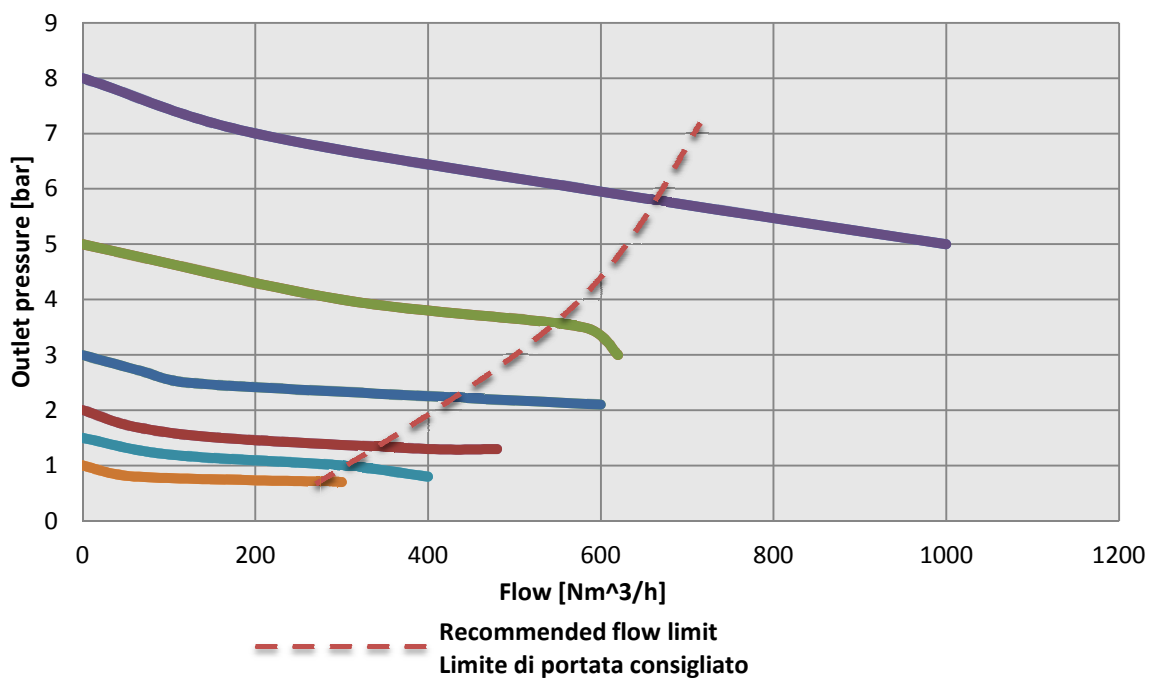
Complete kit: O-rings, complete main valve, net filter

Flow charts

210R2 - Pin=30 bar - Azoto/Nitrogen



210R2 - Pin=10 bar - Aria/Air



Generating the product code

Regolatore serie 10 in alluminio / Aluminium pressure regulator series 10			
AA BB CC DD E FF GG			
AA	Attacchi / Connections	Q0	G 3/4-F
		R0	G1-F
		J0	G1 1/4-F
		S0	G1 1/2-F
BB	Pressione ingresso / Inlet pressure	D0	PS 30 bar
		B0	PS 15bar
CC	Intervallo uscita / Outlet range	A0	Pout 0,2÷1,5 bar
		B0	Pout 0,3÷3 bar
		D0	Pout 0,8÷8 bar
		E0	Pout 1,5÷15 bar
DD	Tipologia di fluido / Fluid type	97	Aria/Air - N2 - He - Ar - H2 - C3H8 - CH4
		98	NH3 - CO2
E	Relieving / Relieving	0	Non relieving
		1	Relieving
FF	Marchiato / Marked	I0	ID
		Z0	Dir.ATEX 2014/34/EU
GG	Accessori/ Accessories	00	Nessun accessorio / No accessories
		06	Manometro / Pressure gauge

CODE COMPOSITION EXAMPLE

210R2#R0 D0 A0 97 1 I0 00

210R2#: Aluminium pressure regulator series 10

J0: Connection G1 1/4-F

D0: Maximum inlet pressure 30 bar (435 psi)

D0: Outlet pressure range 0,8÷8 bar

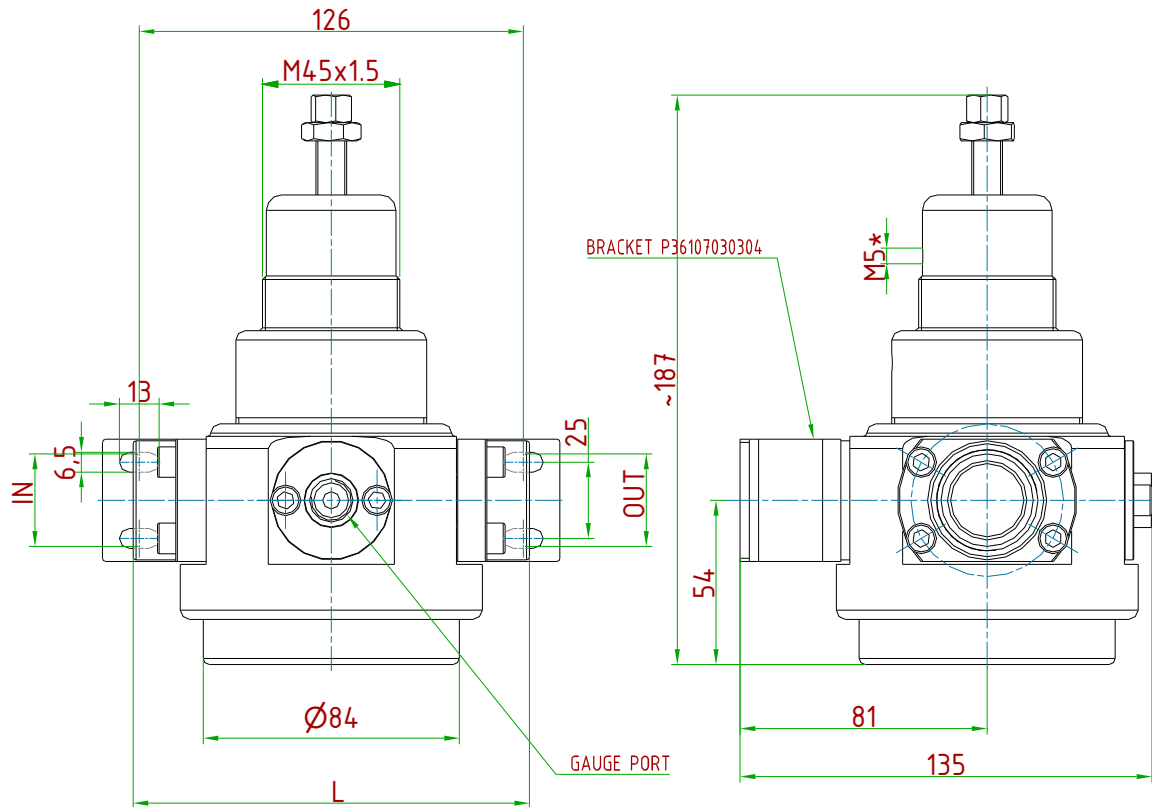
97: Air

1: Relieving

I0: ID Insert Deal brand

00: No accessories

Technical drawings (dimensions in mm)



*FOR PIPE CONNECTION WHEN REQUIRED; RANDOM ORIENTATION

TYPE	IN/OUT	L [mm]	GAUGE PORT
210R2 G3/4	G3/4-F	130	G 1/4
210R2 G1	G1-F	130	G 1/4
210R2 G1 1/4	G1 1/4-F	241	G 1/4
210R2 G1 1/2	G1 1/2-F	241	G 1/4
210R2 3/4" NPT	3/4" NPT-F	130	1/4 NPT
210R2 1" NPT	1" NPT-F	130	1/4 NPT
210R2 1 1/4" NPT	1 1/4" NPT-F	241	1/4 NPT
210R2 1 1/2" NPT	1 1/2" NPT-F	241	1/4 NPT

ID Insert Deal Srl

Strada dei Boschi, 40
20852 Villasanta (MB) Italia
tel. +39 039 30 2035
info@idinsertdeal.com
www.idinsertdeal.com

ID Insert Deal si riserva il diritto di cambiare le specifiche del prodotto senza preavviso.
ID Insert Deal reserves the right to change and/or modify product specifications without prior notice.

Insert Deal non si assume alcuna responsabilità per la scelta, uso e manutenzione di qualsiasi prodotto. La responsabilità per l'ideale scelta, uso e manutenzione di qualsiasi prodotto ID rimane interamente a carico dell'acquirente.

Insert Deal does not assume responsibility for selection, use and maintenance of any products. Responsibility for proper selection, use and maintenance of any ID products remains entirely to the purchaser.

Riproduzione vietata. Tutti i diritti riservati; nessuna parte del presente documento può essere riprodotta senza autorizzazione di ID Insert Deal Srl.
Reproduction forbidden. All rights reserved; the hereby document can't be reproduced, also partially, without the authorization of ID Insert Deal Srl.

PRESSURE REGULATOR_210R2_EN_01



Azienda con sistema di gestione qualità certificato.
certificato N° 50 100 9191
Company with certificated quality management system.
certificate N° 50 100 9191