

# R214M

Precision pressure regulators for compressed air



## FEATURES

Precision pressure regulator for inlet pressure up to 12 bar (174 psi).

Inlet and outlet connections 1/4" - F.

High pressure stability, regulated pressure is held constant over substantial changes in flow and inlet pressure.

High exhaust capacity by an integral relief valve.

Suitable for pneumatic servo system requiring a constant supply pressure.

Double diaphragm and double chamber regulator, continuous outlet pressure drain.

The product complies with the directive 97/23/CE PED.

## **SPECIFICATIONS**

Regulator weight: ~0,6 kg / ~1,32 lb

Standard version operating temperature: -5 °C ÷ +60 °C (+23 °F ÷ +140 °F)

Main valve leakage classification: VI (bubble tight)

Degree of protection: IP25

Gauge connections G 1/8 on both sides

## **MATERIALS**

Body and bonnet: aluminium

Internal parts: brass / steel

Adjusting knob: PA 6.6

Main valve spring: stainless steel AISI 302

Adjusting spring: C85 (not in contact with the fluid)

Diaphragms: NBR

O-Ring: NBR

Main valve gasket: NBR

## **ACCESSORIES**

Bracket for wall mounting: P36064090304

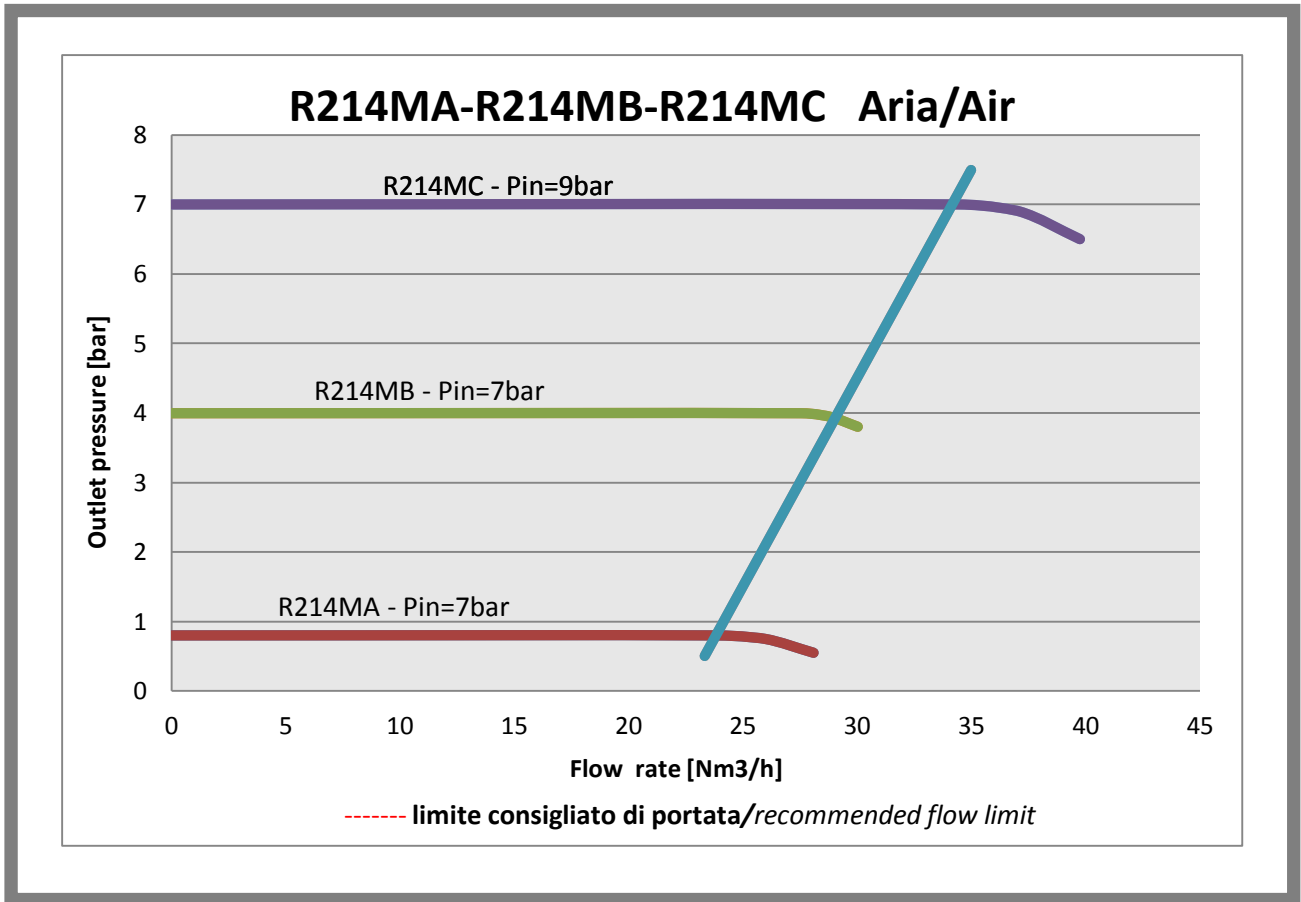
Nut M12x1 for bracket or panel mounting: P28018011004

Gauge

## **SPARE PARTS**

Complete kit: filter, complete main valve, o-rings, diaphragms

# flow charts



## available model types

### Regolatori di pressione

### Pressure regulators

Regolatori di pressione alta sensibilità in alluminio per aria compressa

Pressure regulators high sensibility made of aluminium for compressed air

Corpo e campana da fusione, struttura standard

Cast body, Standard execution

TYPE	PS bar	P.Out bar	CONNECTION IN/OUT	RELIEVING	GAUGE	CODE	MEDIUM
							<b>R214 M</b>
R214 MA	7	0,02-0,8	G 1/4-F	S	N	214M	Air
R214 MB	7	0,1-4	G 1/4-F	S	N	214M	Air
R214 MC	12	0,5-8	G 1/4-F	S	N	214M	Air

#### ATTACCHI DIVERSI DA STANDARD / CONNECTION DIFFERENT FROM STANDARD

Attacchi entrata/uscita NPT con nipples esterni / Inlet/outlet connections NPT, external nipples

#### ESECUZIONI DIVERSE DA STANDARD / EXECUTIONS DIFFERENT FROM STANDARD

Stampigliatura su specifica del cliente / Not standard branding

#### ACCESSORI / ACCESSORIES

Kit staffa P36064090304 / Kit bracket P36064090304

## generating the product code

REG.SENSIBILE 214M			
AA BB CC DD E FF			
AA	Attacchi / Connections	N0	G 1/4-F
		V0	1/4" NPT-F
BB	Pressione ingresso / Inlet pressure	B0	PS 12 bar
		I0	PS 7 bar
CC	Intervallo uscita / Outlet range	D0	Pout 0,5 - 8 bar
		M0	Pout 0,02 - 0,8 bar
		Z0	Pout 0,1 - 4 bar
DD	Tipologia di fluido / Fluid type	01	Relieving
E	Marchiato / Marked	I	ID
FF	Accessori / Accessories	00	Nessun accessorio

### CODE COMPOSITION EXAMPLE

**214M# N0 I0 M0 01 I 00**

**214M#:** Precision pressure regulator R214 M

**N0:** Connections G 1/4 - F

**I0:** Maximum inlet pressure 7 bar (101.5 psi)

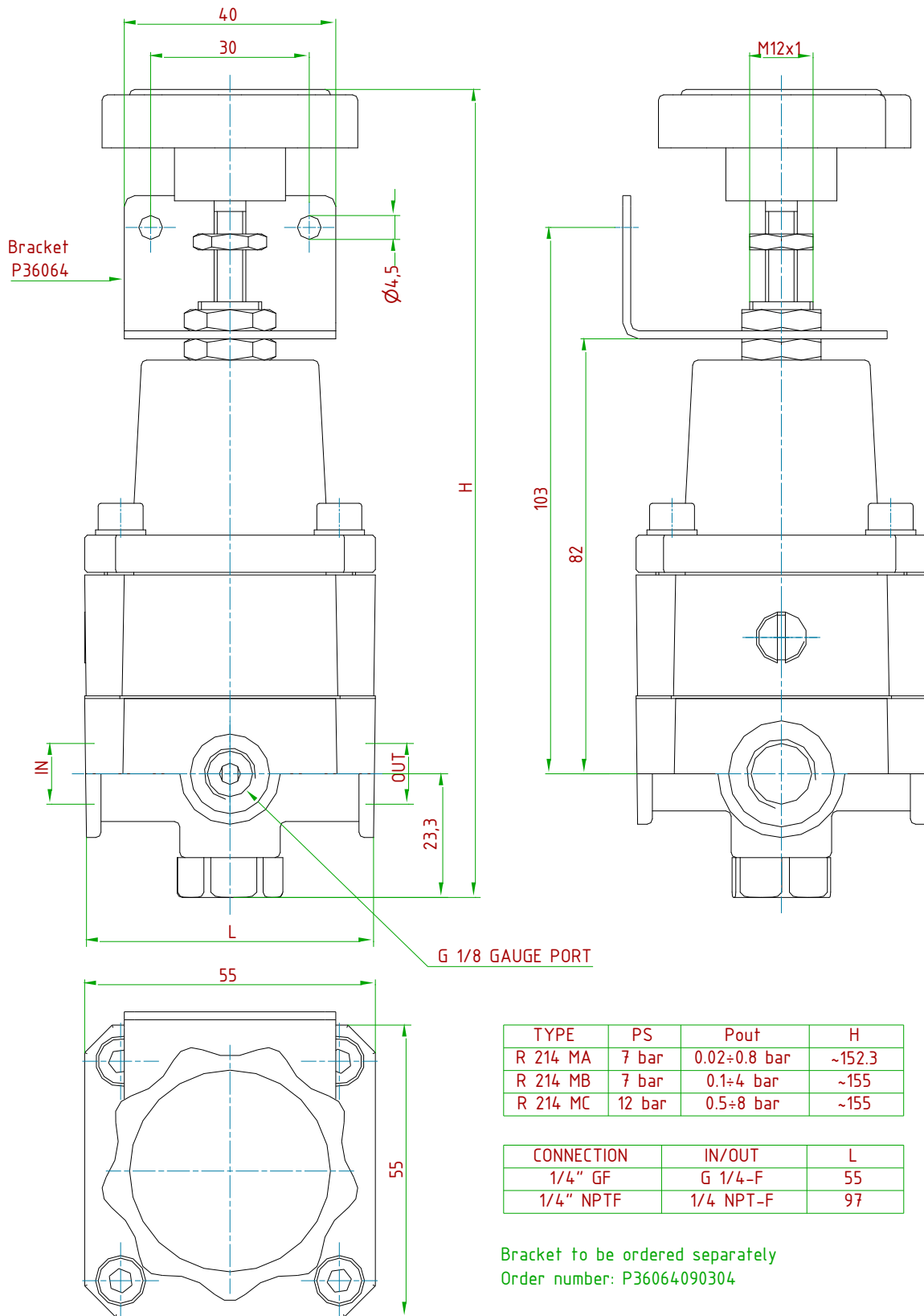
**M0:** Outlet pressure range 0,02 – 0,8 bar

**01:** Relieving

**I:** Brand Insert Deal

**00:** No accessories

# technical drawings (all dimensions in mm)



## **ID Insert Deal Srl**

Strada dei Boschi, 40  
20852 Villasanta (MB) Italia  
tel. +39 039 302035  
[info@idinsertdeal.com](mailto:info@idinsertdeal.com)  
[www.idinsertdeal.com](http://www.idinsertdeal.com)

ID Insert Deal si riserva il diritto di cambiare le specifiche del prodotto senza preavviso.  
ID Insert Deal reserves the right to change and/or modify product specifications without prior notice.

Insert Deal non si assume alcuna responsabilità per la scelta, uso e manutenzione di qualsiasi prodotto. La responsabilità per l'ideale scelta, uso e manutenzione di qualsiasi prodotto ID rimane interamente a carico dell'acquirente.

Insert Deal does not assume responsibility for selection, use and maintenance of any products. Responsibility for proper selection, use and maintenance of any ID products remains entirely to the purchaser.

Riproduzione vietata. Tutti i diritti riservati; nessuna parte del presente documento può essere riprodotta senza autorizzazione di ID Insert Deal Srl.  
Reproduction forbidden. All rights reserved; the hereby document can't be reproduced, also partially, without the authorization of ID Insert Deal Srl.

**PRESSURE REGULATOR\_R214M\_EN\_00**



Azienda con sistema di gestione qualità certificato.  
certificato N° 50 100 9191  
Company with certificated quality management system.  
certificate N° 50 100 9191