

# R14 MC – R18 MC Aluminium

Aluminium micro pressure regulator,  
for compressed air, gas and liquid



## FEATURES

Minimum size pressure regulator.  
Inlet pressure up to 20 bar (290 psi).

Inlet and outlet connections 1/4"-F or  
1/8"-F ports.

Outlet pressure is controlled by a rubber  
diaphragm.

Overpressure relieving function.

The product complies with the directive  
2014/68/EU PED.

Available on request:  
ATEX 2014/34/EU

## **SPECIFICATIONS**

Regulator weight: ~122 g (~0,269 lb)

Working temperature: -10°C ÷ +50°C (-14°F ÷ +122° F)

Main valve leakage classification: VI (bubble tight)

Flow coefficient: Kv= 0.6

G1/8 gauge port for outlet pressure on both sides

## **MATERIALS**

Body: aluminium

Bonnet: POM/PA 6.6

Internal part: aluminium/brass

Main valve spring: stainless steel AISI 302

Adjusting spring: C85 (not in contact with the fluid)

Diaphragm: NBR or EPDM depending on the fluid

O-Rings: NBR or EPDM depending on the fluid

Main valve gasket: NBR or EPDM depending on the fluid

## **ACCESSORIES**

Panel mounting ring-nut

Wall mounting metal bracket + plastic ring-nut (package 10 pieces)

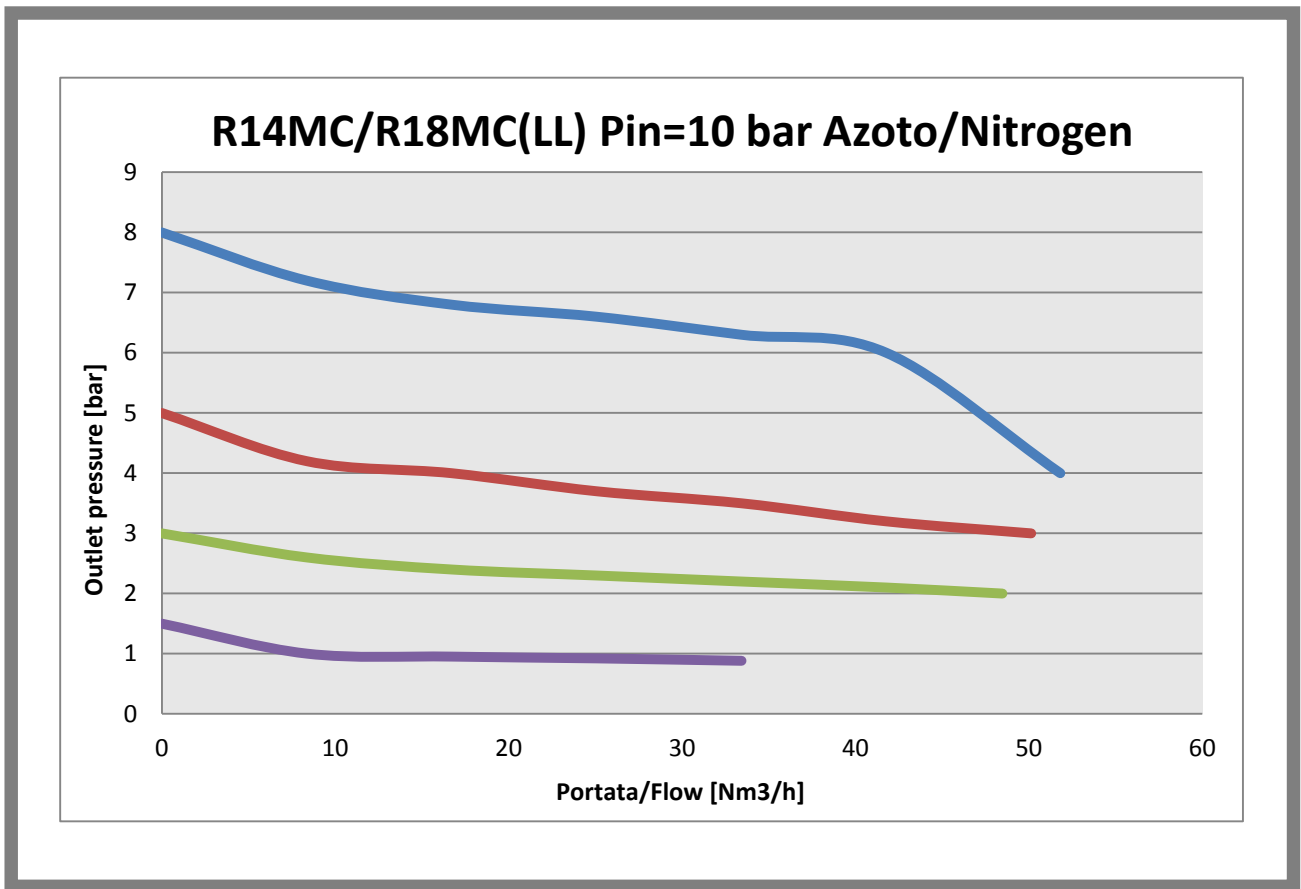
Pilot operated version, pressure setpoint to be controlled by a pilot regulator

Not relieving version for gas and liquids.

## **SPARE PARTS**

Complete kit: assembled diaphragm, main valve, O-rings

flow charts



## generating the product code

<b>R14-18 MC</b>			
<b>AA BB CC DD E F GG</b>			
AA	Attacchi / Connections	M0	R18MC G 1/8-F
		N0	R14MC G 1/4-F
BB	Pressione ingresso / Inlet pressure	C0	PS 20 bar
CC	Intervallo uscita / Outlet range	A0	Pout 0,2 - 1,5 bar
		B0	Pout 0,3 - 3 bar
		D0	Pout 0,8 - 8 bar
		E0	Pout 1,5 - 15 bar
DD	Tipologia di fluido / Fluid type	01	Relieving
E	Pilotato / Pilot operated	n	Non pilotato
		P	Pilotato
F	Marchiato / Marked	I	ID
GG	Accessori / Accessories	00	Nessun accessorio

### CODE COMPOSITION EXAMPLE

**542#N0 C0 D0 01 N I 00**

**542#:** Regulator Micro MC LL

**N0:** Connection G 1/4-F

**C0:** Maximum inlet pressure 20 bar

**D0:** Outlet pressure range 0,8-8 bar

**01:** Relieving

**N:** Not pilot operated

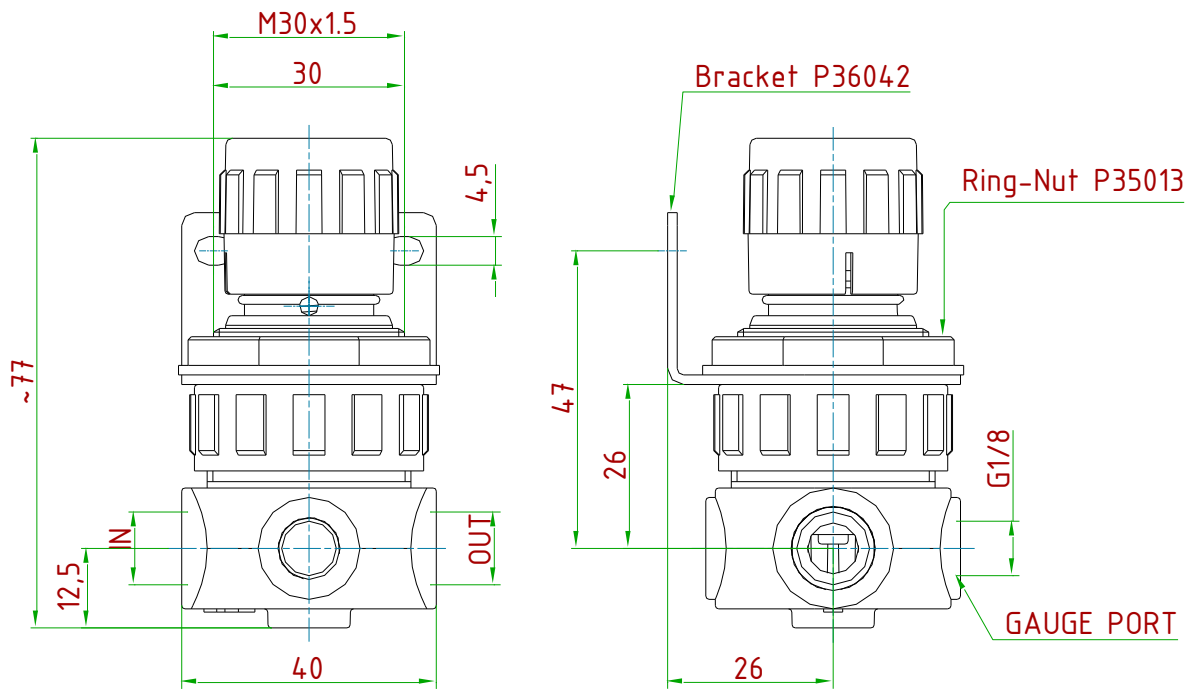
**I:** ID

**00:** No accessories

## technical drawings (all dimensions in mm)

Bracket and Ring-Nut to be ordered separately  
 Order number bracket: M14-201 (10 pieces)  
 Order number Ring-Nut: P35013110304

TYPE	IN/OUT
R14MC 1/4" GF	G1/4-F
R14MC 1/4" NPTF	1/4"NPT-F
R18MC 1/8" GF	G1/8-F



P.out. 0.2÷1.5/0.3÷3/0.5÷5/0.8÷8/1.5÷15

## **ID Insert Deal Srl**

Strada dei Boschi, 40  
20852 Villasanta (MB) Italia  
tel. +39 039 302035  
[info@idinsertdeal.com](mailto:info@idinsertdeal.com)  
[www.idinsertdeal.com](http://www.idinsertdeal.com)

ID Insert Deal si riserva il diritto di cambiare le specifiche del prodotto senza preavviso.  
ID Insert Deal reserves the right to change and/or modify product specifications without prior notice.

Insert Deal non si assume alcuna responsabilità per la scelta, uso e manutenzione di qualsiasi prodotto. La responsabilità per l'ideale scelta, uso e manutenzione di qualsiasi prodotto ID rimane interamente a carico dell'acquirente.  
Insert Deal does not assume responsibility for selection, use and maintenance of any products. Responsibility for proper selection, use and maintenance of any ID products remains entirely to the purchaser.

Riproduzione vietata. Tutti i diritti riservati; nessuna parte del presente documento può essere riprodotta senza autorizzazione di ID Insert Deal Srl.  
Reproduction forbidden. All rights reserved; the hereby document can't be reproduced, also partially, without the authorization of ID Insert Deal Srl.

**PRESSURE REGULATOR\_542(R14MC-R18MC LL)\_EN\_03**



Azienda con sistema di gestione qualità certificato.  
certificato N° 50 100 9191  
Company with certificated quality management system.  
certificate N° 50 100 9191