

R32034

Stainless steel AISI 316 L two-stage high pressure regulator,
suitable for laboratory use



FEATURES

High pressure regulator, standard version inlet pressure up to 220 bar (3190 psi), higher pressure for special versions.

Inlet connections available for every type of gas. Outlet connection G 1/4 - F. External chrome-plated finish.

The regulator is composed of an high pressure stage followed by a lower pressure stage, providing an accurate outlet pressure control starting from 0,1÷0,5 bar range.

Outlet pressure is controlled by a diaphragm.

Two-stage regulator provide constant outlet pressure regardless of inlet pressure variations.

Available the ATEX version
Brand $\text{CE} \text{ II 2GDc IICX}$.

For use in potentially explosive atmospheres zones:

1, 21, 2, 22 (not for mines and zone 0).

Available the EAC-EX TP TC 012/2011 versions for the Russian market.

The product complies with the directive 97/23/CE (PED).

SPECIFICATIONS

Inlet and outlet pressure gauges: accuracy class 1.6, G 1/4 ports

Regulator weight: ~2 kg (~4.4 lb)

Standard version operating temperature -20 °C ÷ +60 °C (-4 °F ÷ +140 °F)

Main valve leakage classification: VI (bubble tight)

Flow coefficient: $K_v = 0.4 \text{ Nm}^3/\text{h}$ ($C_v = 0.47 \text{ US gal/min}$)

Degree of protection: IP55

MATERIALS

Adjusting knob: ABS

Body and bonnet: stainless steel AISI 316 L

Internal parts: stainless steel AISI 316 L

Main valve spring: AISI 302

Adjusting spring: AISI 302 (not in contact with the fluid)

Diaphragm: stainless steel AISI 316 L (PTFE for outlet pressure 0.1÷0.5 bar version)

O-ring: EPDM or FPM according to the fluid (other compounds available on request)

Main valve gasket 1° stage: PTFE + carbon
 2° stage: EPDM or FPM depending to the fluid

ACCESSORIES

Fixed outlet pressure: adjusting screw locked by a cap nut

Pre-set version: factory set outlet pressure

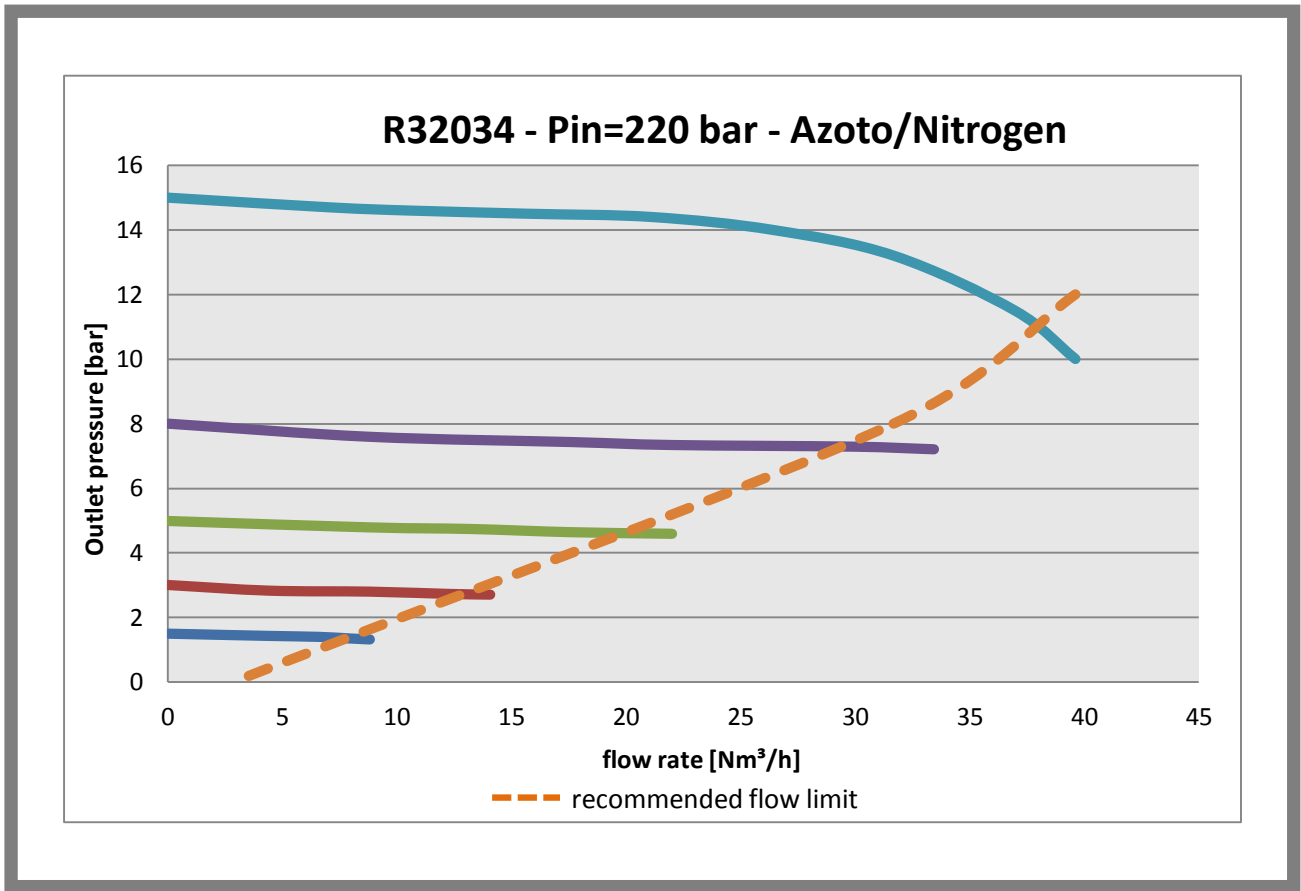
SPARE PARTS

Gauges

Overpressure valve

Complete kit: filter, complete main valve, o-rings, assembled diaphragm

flow charts



available model types

**Regolatori di pressione per alta pressione a doppio stadio
in acciaio inox 316L, idonei per impiego in laboratorio**
**Double stage pressure regulators for high pressure,
made of stainless steel 316L, for laboratory application**

Corpo da lavorazione di barra tonda, attacco entrata per bombola a norme UNI. DOPPIO STADIO
Body by machining round bar, inlet connection to bottle according to standard UNI. DOUBLE STAGE

TYPE	PS bar	P.Out bar	CONNECTION OUT	CODE	MEDIUM
					R32034
R32034 A	80	0,1-0,5	G 1/4-F	32034#	CO2 - N2O
	220	0,1-0,5	G 1/4-F	32034#	H2 - CH4
R32034 B	80	0,2-1,5	G 1/4-F	32034#	CO2 - N2O
	220	0,2-1,5	G 1/4-F	32034#	H2 - CH4
R32034 C	80	0,3-3	G 1/4-F	32034#	CO2 - N2O
	220	0,3-3	G 1/4-F	32034#	H2 - CH4
R32034 D	80	0,8-8	G 1/4-F	32034#	CO2 - N2O
	220	0,8-8	G 1/4-F	32034#	H2 - CH4

MEDIUM	CONNECTION IN	UNI
CO2	Bombola_Rampa / Bottle_Manifold	2-UNI 11144
N2O	Bombola / Bottle	9-UNI 11144
	Rampa / Manifold	2-UNI 11144
Aria	Bombola / Bottle	6-UNI 11144
	Rampa / Manifold	2-UNI 11144
N2	Bombola / Bottle	5-UNI 11144
	Rampa / Manifold	2-UNI 11144
Ar - He	Bombola / Bottle	8-UNI 11144
	Rampa / Manifold	2-UNI 11144
H2 - CH4	Bombola_Rampa / Bottle_Manifold	1H-UNI 11144

ATTACCHI DIVERSI DA STANDARD / CONNECTION DIFFERENT FROM STANDARD

Attacchi bombola diversi da standard UNI / Bottle connection different from Italian standard UNI (DIN 477, CGA, NFE 29-650, BS 341 e UNE ITC MIE)

Attacchi entrata/uscita 1/4 NPT-F / Inlet/outlet 1/4 connections NPT-F

Attacco entrata rampa, esclusi CO2, H2, CH4 / inlet connection for manifold, not for CO2, H2, CH4

ESECUZIONI DIVERSE DA STANDARD / EXECUTIONS DIFFERENT FROM STANDARD

Pressione ingresso 250-300 bar / Inlet pressure 250-300 bar

#N/D

Pressione uscita pretarata / Pre-set outlet pressure

Pressione uscita tarata fissa, vite con dado cieco / Fixed outlet pressure, screw with cap nut

O-ring secondo FDA / O-ring according to FDA

O-ring FPM / O-ring FPM

O-ring speciali / Special O-ring

Convogliamento su campana e Valvola di sovrappressione / Venting on bonnet and over pressure Valve

Stampigliatura su specifica del cliente / Not standard branding

Versione EAC-EX TP TC 012/2011 / EAC-EX TP TC 012/2011 version

Versione ATEX / ATEX version

Temperature diverse da standard / Special temperature range

Sgrassato uso O2 / Degreased for O2

generating the product code

REGOLATORE R32034			
AA BB CC DD E FF			
AA	Attacchi / Connections	00	Vedi tipo fluido, tabella DD
BB	Pressione ingresso / Inlet pressure	J0	PS 220 bar
		L0	PS 80 bar
CC	Intervallo uscita / Outlet range	A0	MOD B 0,2 - 1,5 bar
		B0	MOD C 0,3 - 3 bar
		C0	MOD D 0,8 - 8 bar
		Y0	MOD A 0,1 - 0,5 bar
DD	Tipologia di fluido / Fluid type	94	FPM PED CLASSE III
		98	EPDM
		U1	1H - UNI 11144 PED CLASSE III
		U2	2 - UNI 11144
		U5	5 - UNI 11144
		U6	6 - UNI 11144
		U8	8 - UNI 11144
		E	Marchiato / Marked
Z	Dir ATEX 94/9 CE		
FF	Accessori / Accessories	00	Nessun accessorio

CODE COMPOSITION EXAMPLE

32034# 00 J0 C0 98 Z 00

32034#: Stainless steel AISI 316 L pressure regulator R32034

00: Connection according to the fluid see table DD

J0: Inlet pressure 220 bar

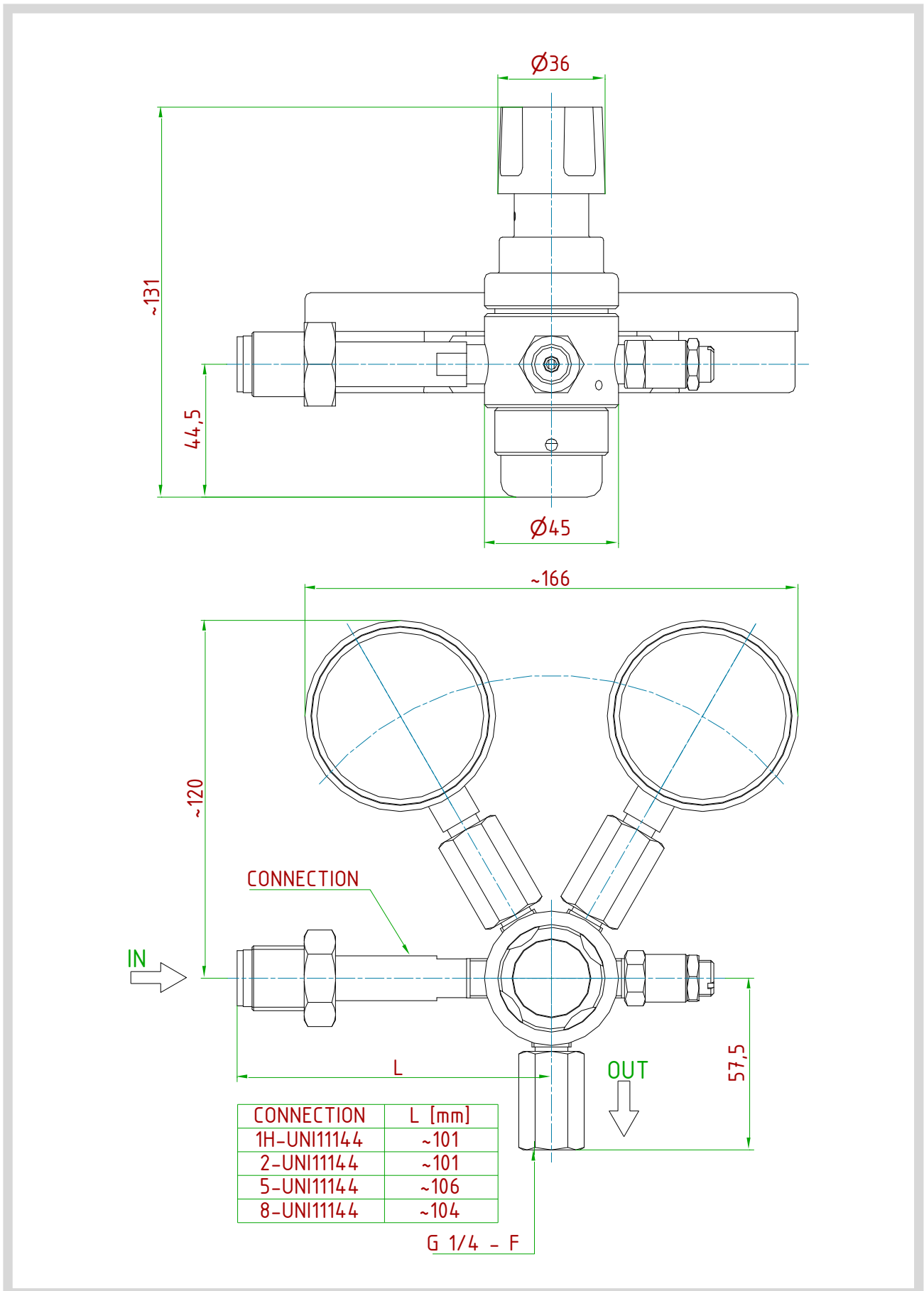
C0: Outlet pressure 0,8-8 bar

98: EPDM gaskets

Z: ATEX version

00: No accessories

technical drawings (all dimensions in mm)



ID Insert Deal Srl

Strada dei Boschi, 40
20852 Villasanta (MB) Italia
tel. +39 039 302035
info@idinsertdeal.com
www.idinsertdeal.com

ID Insert Deal si riserva il diritto di cambiare le specifiche del prodotto senza preavviso.
ID Insert Deal reserves the right to change and/or modify product specifications without prior notice.

Insert Deal non si assume alcuna responsabilità per la scelta, uso e manutenzione di qualsiasi prodotto. La responsabilità per l'ideale scelta, uso e manutenzione di qualsiasi prodotto ID rimane interamente a carico dell'acquirente.

Insert Deal does not assume responsibility for selection, use and maintenance of any products. Responsibility for proper selection, use and maintenance of any ID products remains entirely to the purchaser.

Riproduzione vietata. Tutti i diritti riservati; nessuna parte del presente documento può essere riprodotta senza autorizzazione di ID Insert Deal Srl.
Reproduction forbidden. All rights reserved; the hereby document can't be reproduced, also partially, without the authorization of ID Insert Deal Srl.

PRESSURE REGULATOR_R32034_EN_02



Azienda con sistema di gestione qualità certificato.
certificato N° 50 100 9191
Company with certificated quality management system.
certificate N° 50 100 9191