

R3133

Stainless steel AISI 316L high pressure regulator,
suitable for compressed air, gas and liquid



FEATURES

High pressure regulator for cylinder or manifold; standard version inlet pressure up to 220 bar (3190 psi), higher pressure for special versions.

Inlet cylinder connections according to UNI standard, other connections available on request.

Outlet pressure up to 15 bar (218 psi) is controlled by a stainless steel diaphragm (AISI 316); greater outlet pressures are controlled by a piston.

Body machined from the bar.
Entirely made of stainless steel is suitable for laboratory and gas analysis applications, as well as for normal industrial applications.

Available the EAC-EX TP TC 012/2011 versions for the Russian market.

Available the ATEX 2014/34/EU version
Brand X II2GcIICTX

X II2DcIICTX. For
use in potentially explosive atmospheres
zones: 1, 21, 2, 22 (not for mines and zone
0).

The product complies with the directive
2014/68/EU (PED).

SPECIFICATIONS

Inlet and outlet pressure gauges: accuracy class 1.6

Regulator weight: ~2,7 kg (~5.95 lb)

Standard version operating temperature -20 °C ÷ +60 °C (-4 °F ÷ +140 °F)

Main valve leakage classification: VI (bubble tight)

Flow coefficient: $K_v = 0.05 \text{ Nm}^3/\text{h}$ ($C_v = 0.06 \text{ US gal/min}$)

Gauges ports: G 1/4 – F

MATERIALS

Body and bonnet: stainless steel AISI 316L

Internal parts: stainless steel AISI 316L

Main valve spring: stainless steel AISI 302

Adjusting spring: stainless steel AISI 302 (not in contact with the fluid)

Diaphragm (for outlet pressure up to 15 bar):

- standard: stainless steel AISI 316L
- for liquid and air relieving: two coupled diaphragms NBR+PTFE (PTFE in contact with the fluid)

Piston (for greater outlet pressure): stainless steel AISI 316L

O-ring: EPDM or FPM according to the fluid (other compounds available on request)

Main valve gasket: PTFE + carbon (EPDM for 15 bar maximum operating pressure)

ACCESSORIES

Panel mounting ring-nut: P35017030304

Wall mounting bracket and ring-nut: M1B301

Overpressure relieving function (for compressed air only)

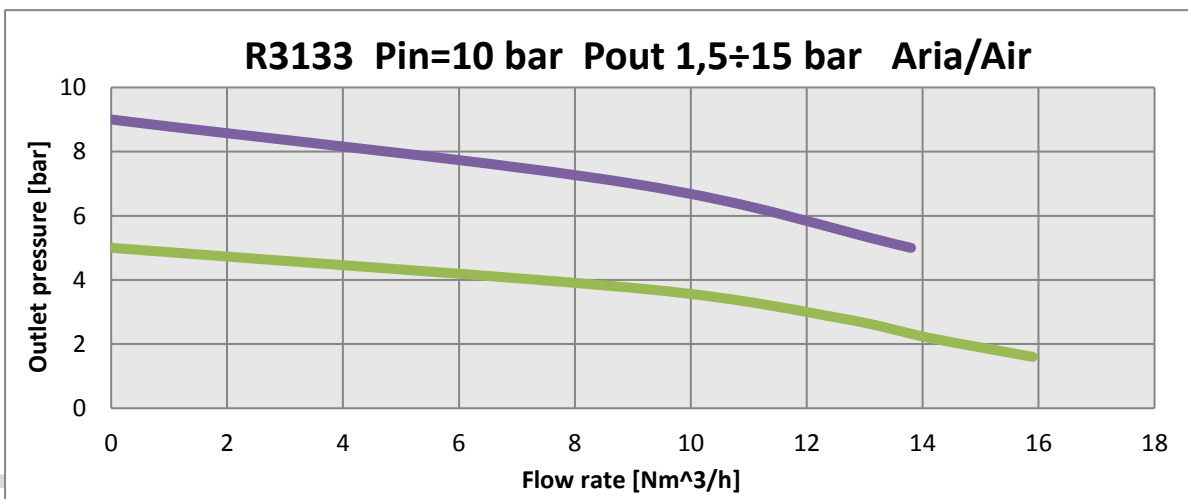
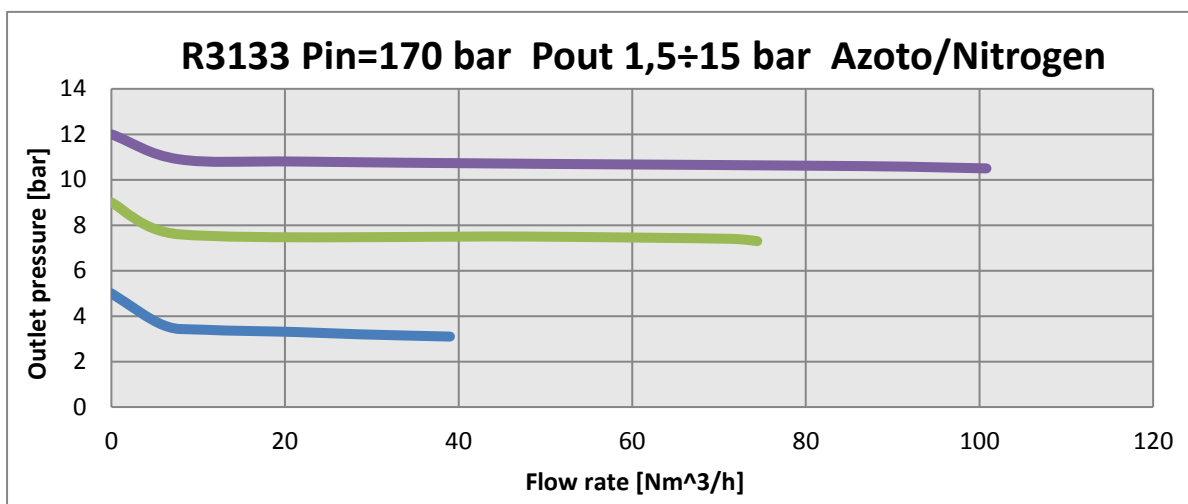
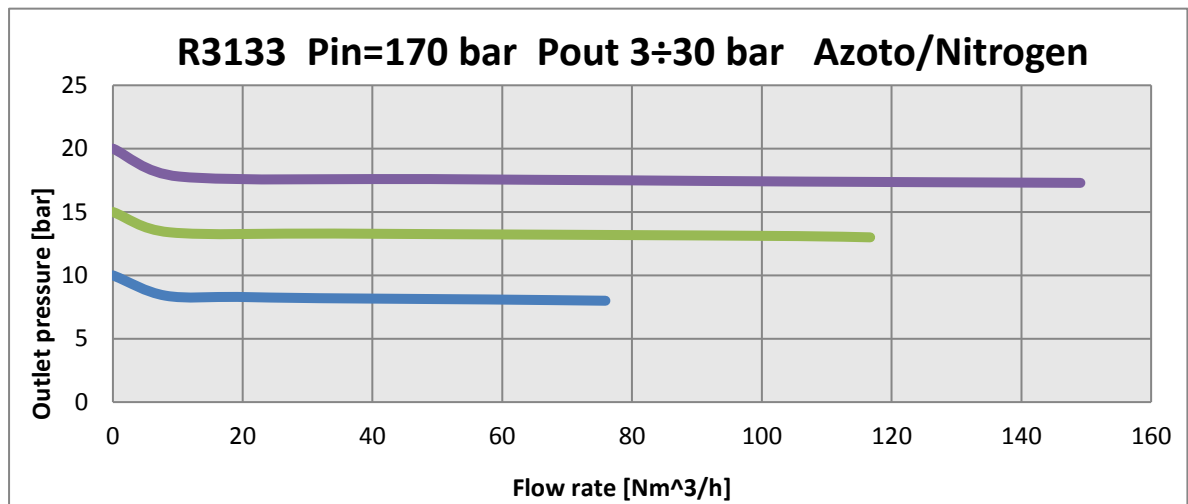
RICAMBI

Gauges

Overpressure valve

Complete kit: filter, complete main valve, o-rings, assembled diaphragm

flow charts



generating the product code

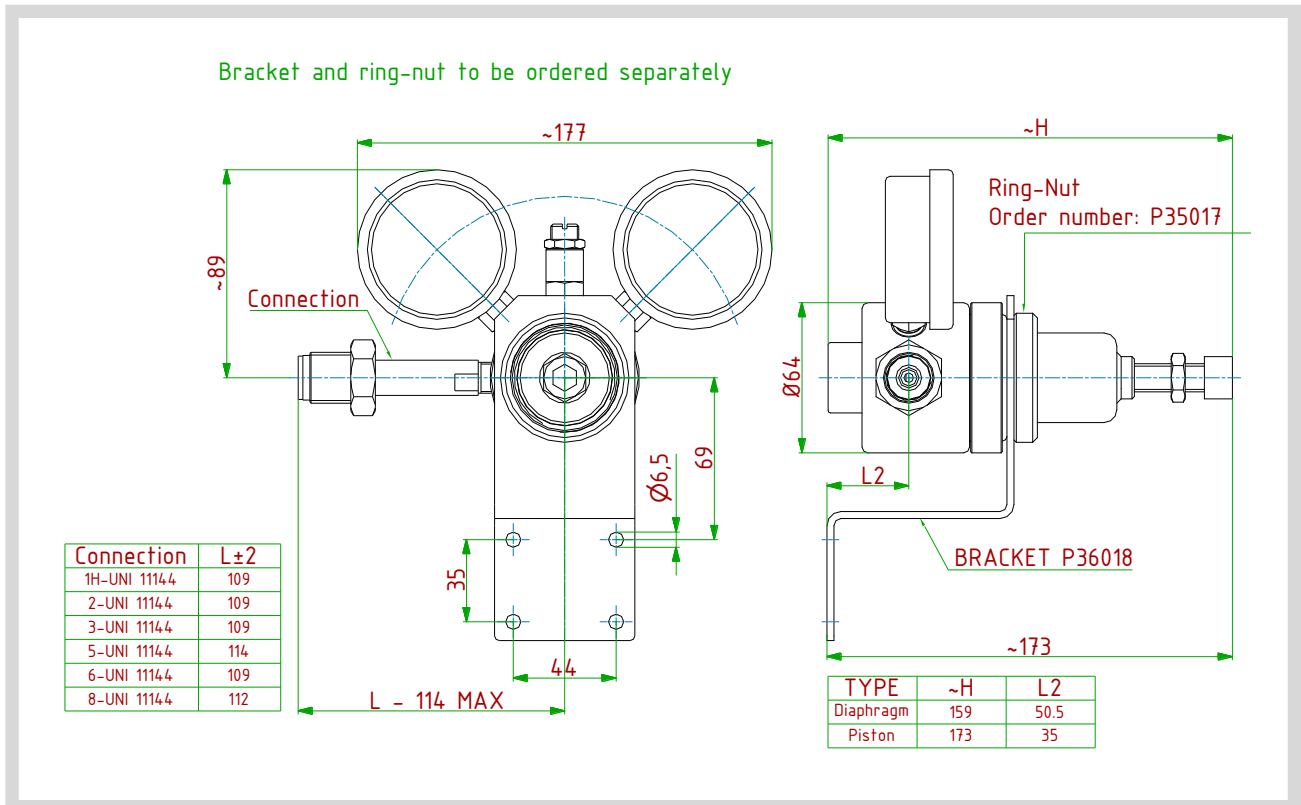
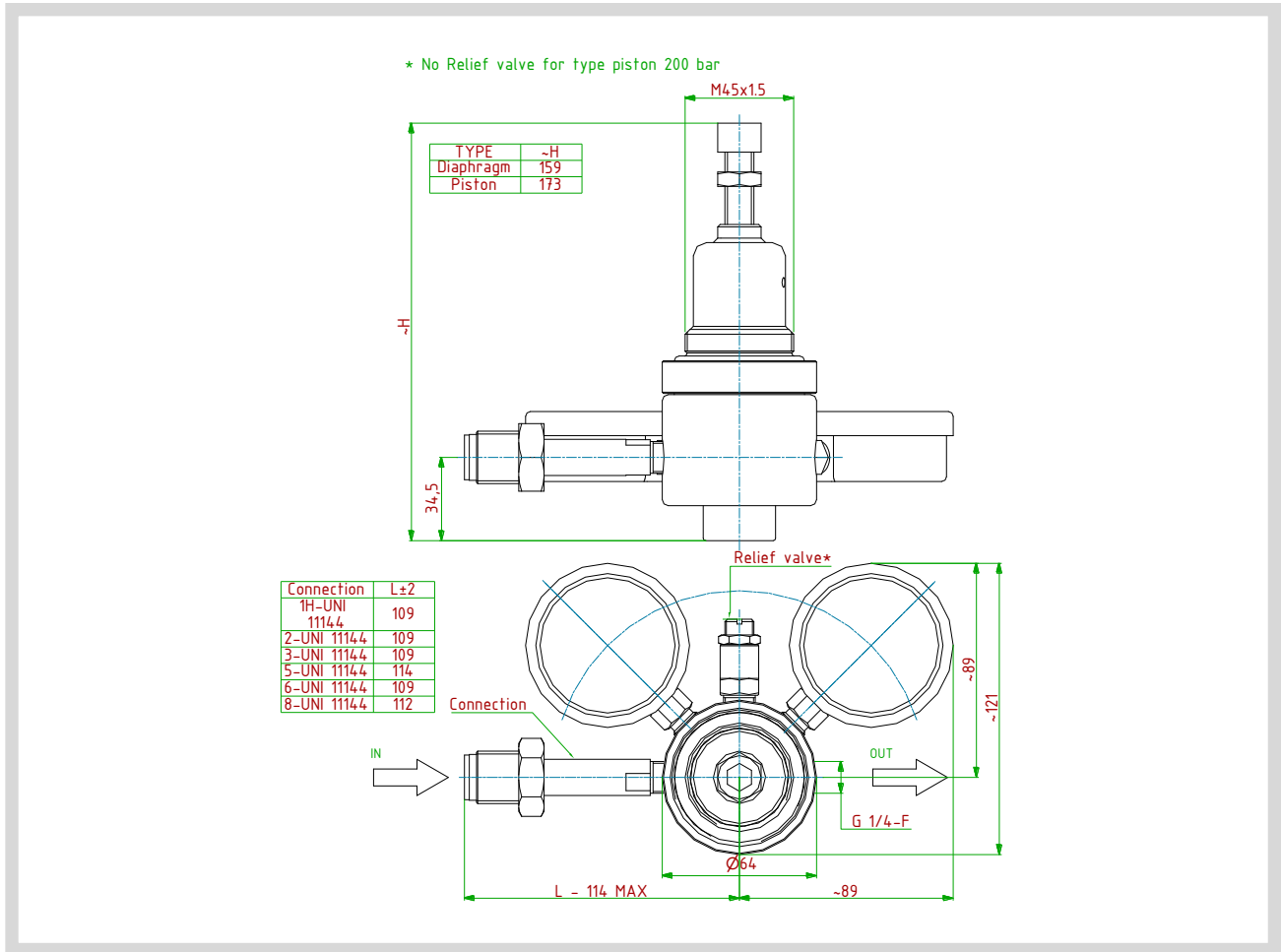
R 3133 IN AISI 316			
AA BB CC DD E FF			
AA	Attacchi / Connections	00	Vedi tipo fluido, tabella DD
BB	Pressione d'ingresso / Inlet pressure	B0	PS 15 bar L
		J0	PS 220 bar H
		L0	PS 80 bar M
CC	Intervallo d'uscita/ Outlet range	A0	AQ- Pout 0,2 ÷ 1,5 bar
		D0	AQ- Pout 0,8 ÷ 8 bar
		E0	BQ- Pout 1,5 ÷ 15 bar
		F0	CQ- Pout 3 ÷ 30 bar
		G0	DQ- Pout 5 ÷ 50 bar
		V0	FQ- Pout 20 ÷ 200 bar
		X0	EQ- Pout 10 ÷ 100 bar
DD	Tipologia di fluido / Fluid type	O2	NH3 3-UNI 11144
		98	EPDM
		99	FPM
		U1	1H - UNI 11144 PED CLASSE III
		U2	2 - UNI 11144
		U3	NH3 3-UNI 11144
		U5	5 - UNI 11144
		U6	6 - UNI 11144
		U8	8 - UNI 11144
E	Marchiato / Marked	I	ID
		Z	Dir. ATEX 2014/34/EU
FF	Accessori / Accessories	00	Nessun accessorio / No accessories

CODE COMPOSITION EXAMPLE

3133#00 J0 A0 U5 I 00

- 3133#:** R3133 stainless steel AISI 316 L regulator
- 00:** Connection according to the fluid see table DD
- J0:** Inlet pressure 220 bar
- A0:** Outlet pressure 1,5 - 15 bar
- U5:** Inlet connection UNI 5-UNI11144
- I:** Insert Deal
- 00:** No accessories

technical drawings (all dimensions in mm)



ID Insert Deal Srl

Strada dei Boschi, 40
20852 Villasanta (MB) Italia
tel. +39 039 302035
info@idinsertdeal.com
www.idinsertdeal.com

ID Insert Deal si riserva il diritto di cambiare le specifiche del prodotto senza preavviso.
ID Insert Deal reserves the right to change and/or modify product specifications without prior notice.

Riproduzione vietata. Tutti i diritti riservati; nessuna parte del presente documento può essere riprodotta senza autorizzazione di ID Insert Deal Srl.
Reproduction forbidden. All rights reserved; the hereby document can't be reproduced, also partially, without the authorization of ID Insert Deal Srl.

PRESSURE REGULATOR_R3133_EN_03



Azienda con sistema di gestione qualità certificato.
certificato N° 50 100 9191
Company with certificated quality management system.
certificate N° 50 100 9191