

R2000

Pressure regulators for high pressure

Made of brass, ideal for compressed air, gases and liquids



FEATURES

Pressure regulator for high pressure, cylinder or manifold; inlet pressures up to 220 bar (3190 psi) for standard execution, higher pressure for special execution.

Outlet pressure up to 15 bar (218 psi) is controlled by a diaphragm; instead, greater outlet pressures are controlled by a piston.

The exterior chrome finishing makes the series R2000 suitable for laboratory applications, as well as normal industrial applications.

The product complies with the directive 2014/68/EU (PED)

SPECIFICATIONS

Gauges: Precision class of 1,6

Diaphragm regulator's weight: ~1,3 Kg (~2,9 lbs)

Piston regulator's weight: ~1,4 Kg (~3,1 lbs)

Working temperature: -20°C ÷ +60°C (-4°F ÷ + 140° F) for standard version

Main valve leakage classification: VI bubble tight

Flow coefficient: $K_v = 0,03 \text{ Nm}^3/\text{h}$ ($C_v = 0,04 \text{ US gal/min}$)

Degree of protection: IP 25

MATERIALS

Body and bonnet: brass, external chrome-plated

Internal parts: brass

Main valve spring: stainless steel AISI 302

Adjusting spring: C85

Diaphragm (for outlet pressures up to 15 bar (218 psi)): double NBR + PTFE (PTFE in contact with the fluid).

Piston (for outlet pressures greater than 15 bar(218 psi)): brass

O-rings: EPDM or FPM depending on the fluid (other compounds available upon request)

Control valve seat: PA 6.6

ACCESSORIES

Balanced main valve

Diaphragm in stainless steel AISI 316

SPARE PARTS

Gauges

Relief valve

Complete kit: assembled diaphragm, inlet filter, main valve, o-rings

generating the product code

R 2000 IN OTTONE			
AA BB CC DD E F GG			
AA	Attacchi / Connections	N0	G 1/4-F
		U2	2 - UNI 11144
		U5	5 - UNI 11144
		U6	6 - UNI 11144
		U8	8 - UNI 11144
BB	Pressione ingresso / Inlet pressure	J0	PS 220 bar
		L0	PS 80 bar
CC	Intervallo uscita / Outlet range	D0	Pout 0,8 - 8 bar
		E0	Pout 1,5 - 15 bar
		F0	Pout 3 - 30 bar
		G0	Pout 5 - 50 bar
DD	Tipologia di fluido / Fluid type	15	O2 PED CLASSE III
		98	OR EPDM
		99	OR FPM
E	Relieving / Relieving	0	No Relieving
		1	Relieving
F	Marchiato / Marked	I	ID
GG	Accessori / Accessories	00	Nessun accessorio
		01	Bilanciato
		02	Membrana AISI 316L

CODE COMPOSITION EXAMPLE

2000# U5 J0 D0 98 0 I 01

2000#: Pressure regulator R2000 in brass

U5: Connection 5-UNI 11144 for nitrogen

J0: Inlet pressure 220 bar

D0: Outlet range 0,8-8 bar

99: O-rings made in FPM

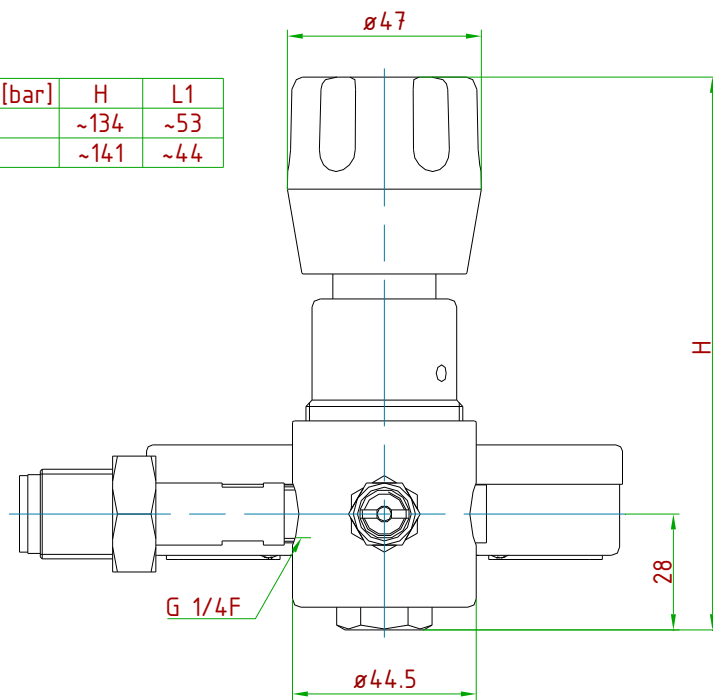
0: Not relieving

I: ID

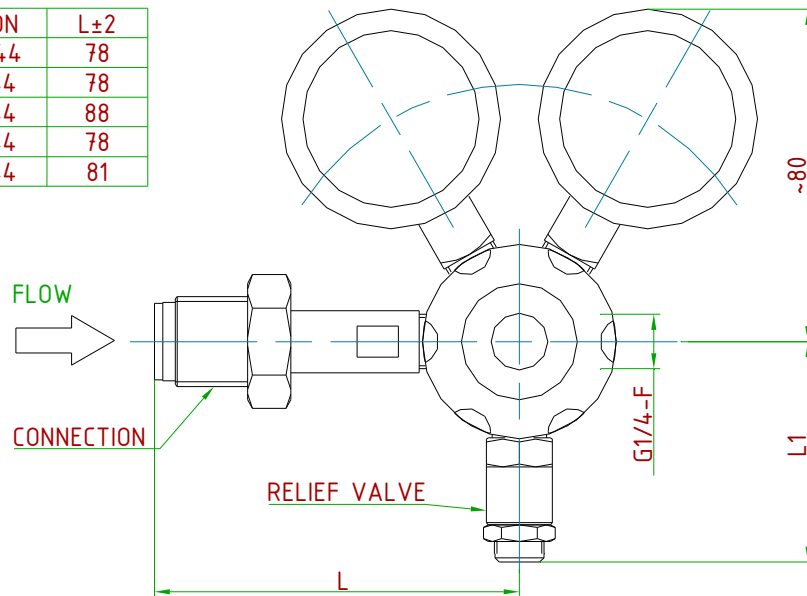
01: Balanced main valve

technical drawings (all dimensions in mm)

TYPE	OUTLET PRESSURE [bar]	H	L1
Diaphragm	0.8÷8/1.5÷15	~134	~53
Piston	3÷30/5÷50	~141	~44



CONNECTION	L±2
1H-UNI 11144	78
2-UNI 11144	78
5-UNI 11144	88
6-UNI 11144	78
8-UNI 11144	81



ID Insert Deal Srl

Strada dei Boschi, 40
20852 Villasanta (MB) Italia
tel. +39 039 302035
info@idinsertdeal.com
www.idinsertdeal.com

ID Insert Deal si riserva il diritto di cambiare le specifiche del prodotto senza preavviso.
ID Insert Deal reserves the right to change and/or modify product specifications without prior notice.

Insert Deal non si assume alcuna responsabilità per la scelta, uso e manutenzione di qualsiasi prodotto. La responsabilità per l'ideale scelta, uso e manutenzione di qualsiasi prodotto ID rimane interamente a carico dell'acquirente.

Insert Deal does not assume responsibility for selection, use and maintenance of any products. Responsibility for proper selection, use and maintenance of any ID products remains entirely to the purchaser.

Riproduzione vietata. Tutti i diritti riservati; nessuna parte del presente documento può essere riprodotta senza autorizzazione di ID Insert Deal Srl.
Reproduction forbidden. All rights reserved; the hereby document can't be reproduced, also partially, without the authorization of ID Insert Deal Srl.

PRESSURE REGULATOR_R2000_EN_02



Azienda con sistema di gestione qualità certificato.
certificato N° 50 100 9191
Company with certificated quality management system.
certificate N° 50 100 9191