

# R3126/DN100-R3126/DN80

Stainless steel AISI 316L pressure regulator,  
for compressed air, gas and liquid



## FEATURES

Pressure regulator for inlet pressure up to 30 bar (435 psi).

Flanged connections screwed to the body EN1092-01/01A/DN80/PN40 and EN1092-01/01A/DN100/PN40.

Different available flanges "EN" or "ASME".

Outlet pressure is controlled by a rubber diaphragm.

Balanced main valve.

Available the ATEX 2014/34/EU version.

Branding:  $\text{CE} \text{ II 2 Gc I I C T X}$

$\text{CE} \text{ II 2 Dc I I C T X}$ .

For use in potentially explosive atmospheres zones: 1, 21, 2, 22 (not for use in mines and zone 0).

The product complies with the 2014/68/EU PED directive.

Available the EAC TP TC 032/2013 or EAC-EX TP TC 012/2011 versions for the Russian market.

Gauges for inlet and outlet pressure (accuracy class 1.6)

Adjusting spring for outlet pressure 0.2÷1.5 bar and 0.6÷6 bar.

Built in pilot regulator for outlet pressure 1.5÷15.

## **SPECIFICATIONS**

Weight EN1092-01/01A/DN80/PN40: ~86.5 kg (~191 lb)

Weight EN1092-01/01A/DN100/PN40: ~89.5 kg (~197 lb)

Operating temperature: -20°C ÷ +60°C (-4 °F ÷ +140 °F) for standard version

Main valve leakage: VI (bubble tight)

Degree of protection: IP25

G¼ pressure gauges ports, flow from left to right

## **MATERIALS**

Body: stainless steel AISI 316L

Bonnet: stainless steel AISI 316L

Pilot regulator: AISI 316L (only for outlet pressure 1.5÷15 bar version)

Internal parts: stainless steel AISI 316L

Main valve spring: C85 nickel plated NiP/Fe 15 µm

Adjusting spring: C85 nickel plated NiP/Fe 15 µm (not in contact with the fluid)

Diaphragm: two coupled diaphragm in Neoprene and PTFE (PTFE not in contact with the fluid)

O-Rings: FPM (different compounds available on request)

## **ACCESSORIES**

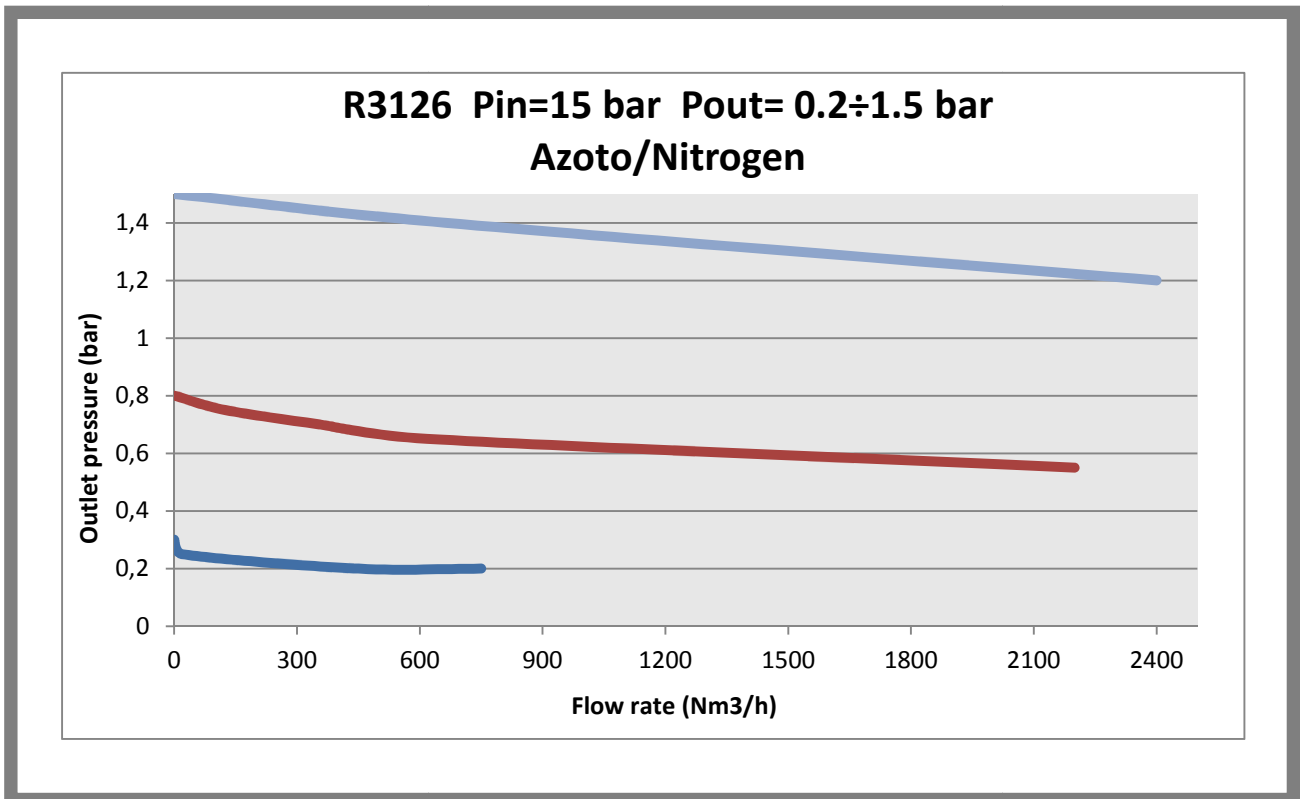
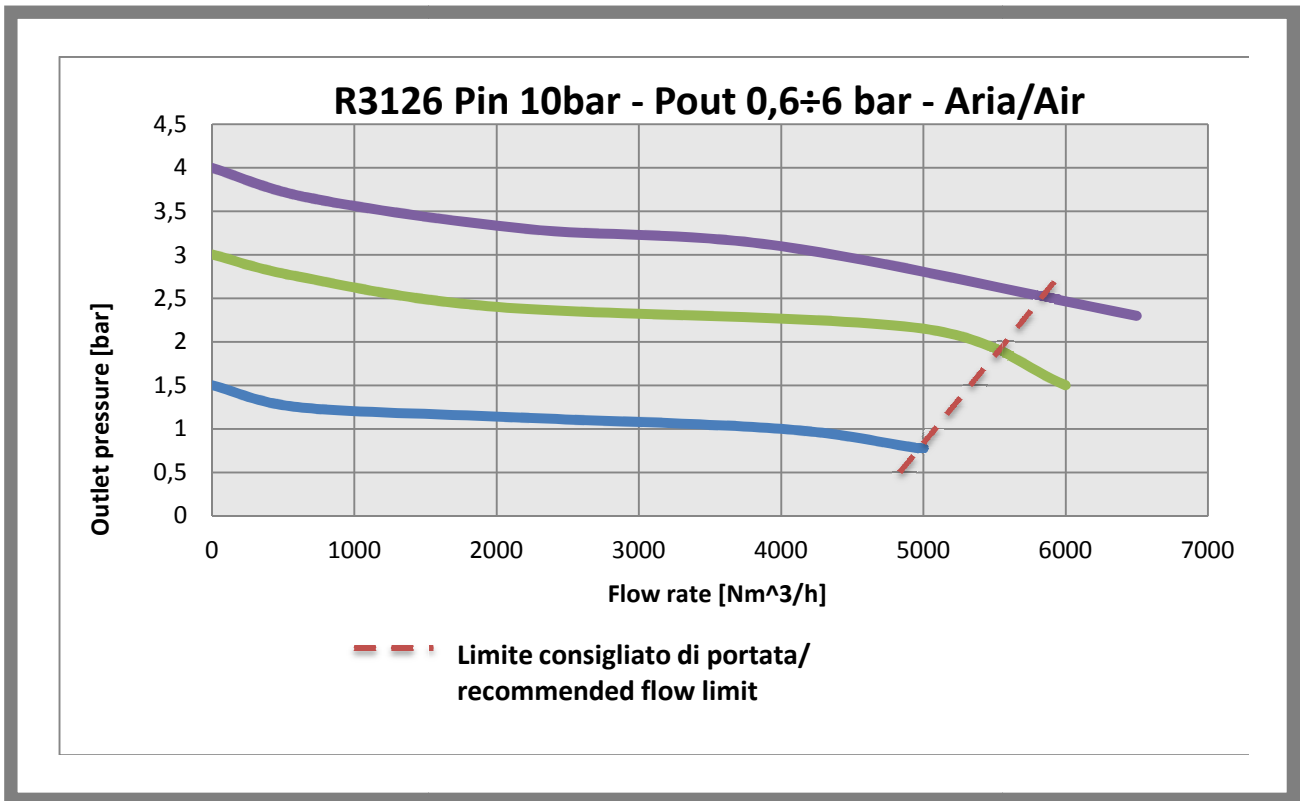
Overpressure relieving function (only for compressed air)

## **SPARE PARTS**

Gauges

Complete kit: assembled diaphragm, main valve, o-rings

# flow charts



## generating the product code

Reg R3126 in AISI 316L			
AA BB CC DD E FF			
AA	Attacchi / Connections	I0	IN/OUT EN1092-01/01A/DN80/PN 40
		K0	IN/OUT EN1092-01/01A/DN100/PN 40
BB	Pressione d'ingresso / Inlet pressure	D0	PS 30 bar
CC	Intervallo d'uscita/ Outlet range	A0	A1 - Pout 0,2 - 1,5 bar <sup>(B)</sup>
		E0	D1 - Pout 1,5 - 15 bar <sup>(B)</sup>
		H0	C1 - Pout 0,6 - 6 bar <sup>(B)</sup>
DD	Tipologia di fluido / Fluid type	99	FPM
E	Marchiato / Marked	I0	ID
		Z	Dir ATEX 2014/34/EU
FF	Accessori/Accessories	00	Nessun accessorio

### CODE COMPOSITION EXAMPLE

**3126#K0 D0 H0 99 I 00**

**3126#:** R3126 AISI 316L regulator

**K0:** IN/OUT EN1092-01/01A/DN100/PN40 flanges

**D0:** maximum inlet pressure 30 bar

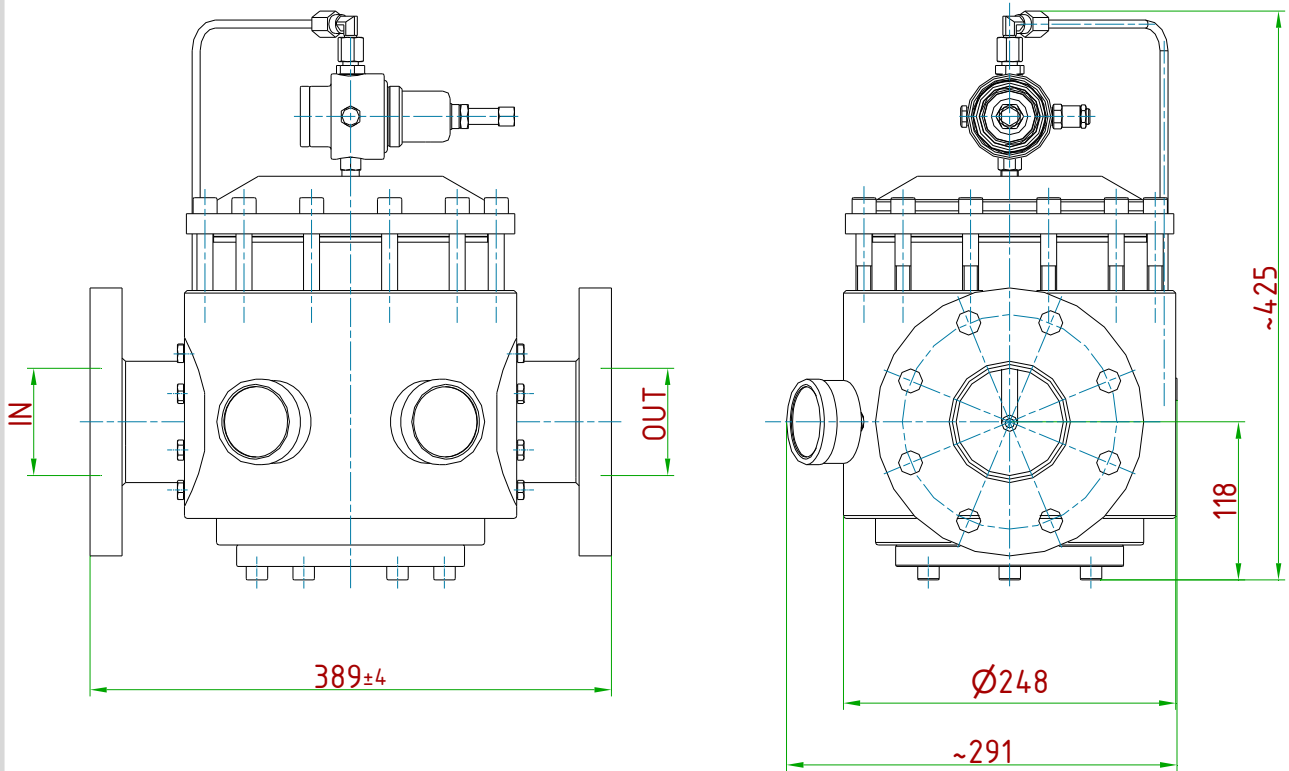
**H0:** outlet pressure range 0.6-6 bar

**99:** FPM gaskets

**I:** ID

**00:** no accessories

technical drawings (all dimensions in [mm])



VERSION	H mm
DOME LOADED	~425
SPRING LOADED	~455

FLANGE		
TYPE	DESCRIPTION	∅
R3126/DN80	EN1092-01/01A/DN80/PN40	200
R3126/DN100	EN1092-01/01A/DN100/PN40	235

## **ID Insert Deal Srl**

Strada dei Boschi, 40  
20852 Villasanta (MB) Italia  
tel. +39 039 302035  
[info@idinsertdeal.com](mailto:info@idinsertdeal.com)  
[www.idinsertdeal.com](http://www.idinsertdeal.com)

ID Insert Deal si riserva il diritto di cambiare le specifiche del prodotto senza preavviso.  
ID Insert Deal reserves the right to change and/or modify product specifications without prior notice.

Insert Deal non si assume alcuna responsabilità per la scelta, uso e manutenzione di qualsiasi prodotto. La responsabilità per l'ideale scelta, uso e manutenzione di qualsiasi prodotto ID rimane interamente a carico dell'acquirente.

Insert Deal does not assume responsibility for selection, use and maintenance of any products. Responsibility for proper selection, use and maintenance of any ID products remains entirely to the purchaser.

Riproduzione vietata. Tutti i diritti riservati; nessuna parte del presente documento può essere riprodotta senza autorizzazione di ID Insert Deal Srl.  
Reproduction forbidden. All rights reserved; the hereby document can't be reproduced, also partially, without the authorization of ID Insert Deal Srl.

**PRESSURE REGULATOR\_3126(R3126.DN100-R3126.DN80)\_EN\_03**



Azienda con sistema di gestione qualità certificato.  
**certificato N° 50 100 9191**  
Company with certificated quality management system.  
**certificate N° 50 100 9191**