

# R128

Aluminium pressure regulator,  
for compressed air, gas and liquids



## FEATURES

Pressure regulator for inlet pressure up to 20 bar (290 psi).

Connections 2"-GF by flanges screwed to the body.

Outlet pressure is controlled by a rubber diaphragm. The main valve is balanced.

The product complies with the directive 2014/68/EU PED.

Suitable for industrial applications where high flow rates and good accuracy are required.

Outlet pressure gauge accuracy class 1.6.

Adjusting screw for outlet pressure 0.2÷1.5 bar and 0.6÷6 bar. Pilot operated version for outlet pressure 1.5÷15 bar.

## **SPECIFICATIONS**

Regulator weight: ~11 Kg (~24 lb)

Standard version operating temperature: -20°C ÷ +60°C (-4°F ÷ +140°F)

Main valve leakage classification: VI (bubble tight)

Flow coefficient:  $K_v = 21 \text{ Nm}^3/\text{h}$   $C_v = 24,6 \text{ US gal/min}$

Degree of protection: IP25

G1/4 gauge port on both sides

## **MATERIALS**

Body: aluminium

Bonnet: aluminium

Pilot regulator: brass (only for version Pout 1.5÷15 bar)

Internal parts: brass/AISI 316L

Main valve spring: stainless steel AISI 302

Adjusting spring: C85, not in contact with the fluid

Diaphragm: NBR and PTFE coupled diaphragms (PTFE in contact with the fluid)

O-Rings: NBR (other compounds available on request)

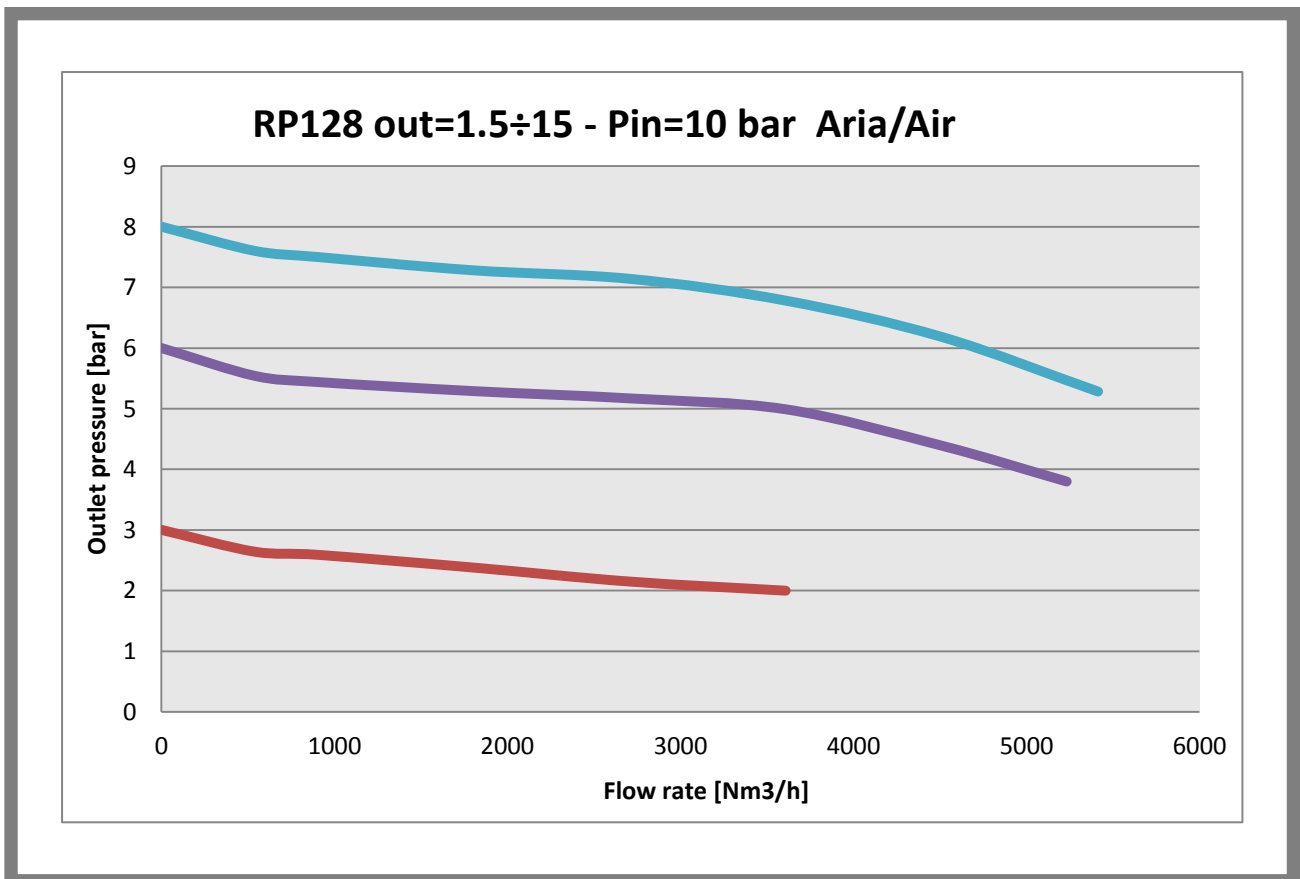
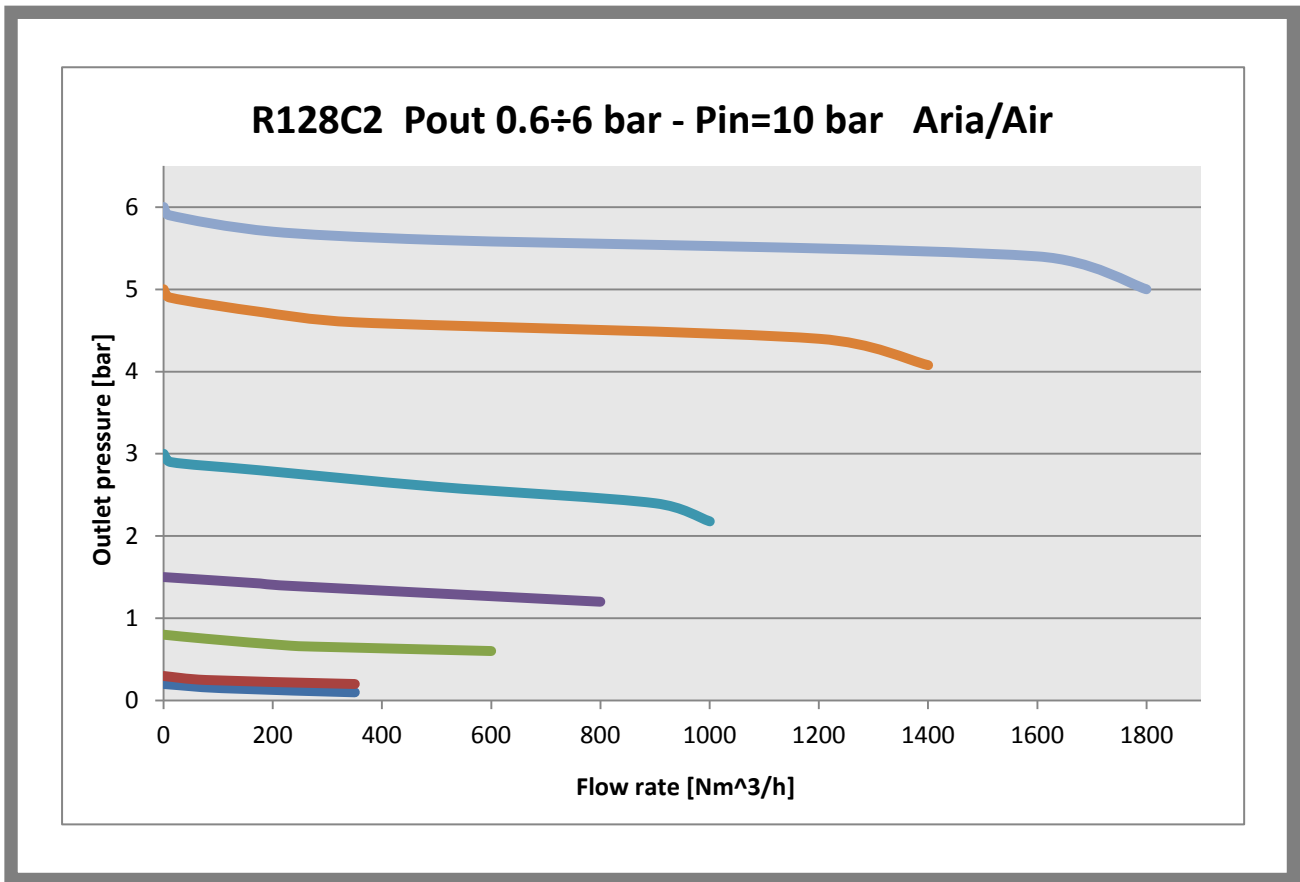
Main valve gasket: NBR (other compounds available on request)

## **SPARE PARTS**

Gauges

Complete kit: assembled diaphragm, net filter, main valve, O-rings

# flow charts



## generating the product code

| Reg. R128 LL     |                                     |    |                         |
|------------------|-------------------------------------|----|-------------------------|
| AA BB CC DD E FF |                                     |    |                         |
| AA               | Attacchi / Connections              | T0 | R128 G 2-F              |
| BB               | Intervallo uscita / Outlet range    | A0 | A2 - Pout 0,2 - 1,5 bar |
|                  |                                     | E0 | D2 Pout 1,5 - 15 bar    |
|                  |                                     | H0 | C2 - Pout 0,6 - 6 bar   |
| CC               | Pressione ingresso / Inlet pressure | C0 | PS 20 bar               |
| DD               | Tipologia di fluido / Fluid type    | 97 | NBR                     |
|                  |                                     | 98 | EPDM                    |
|                  |                                     | 99 | FPM                     |
| E                | Marchiato / Marked                  | I  | ID                      |
| FF               | Accessori / Accessories             | 00 | Nessun accessorio       |

### CODE COMPOSITION EXAMPLE

**D52#T0 A0 C0 97 I 00**

**D52#:** Regulator R128 LL

**T0:** Connection G 2-F

**A0:** Outlet pressure range 0.2-1.5 bar

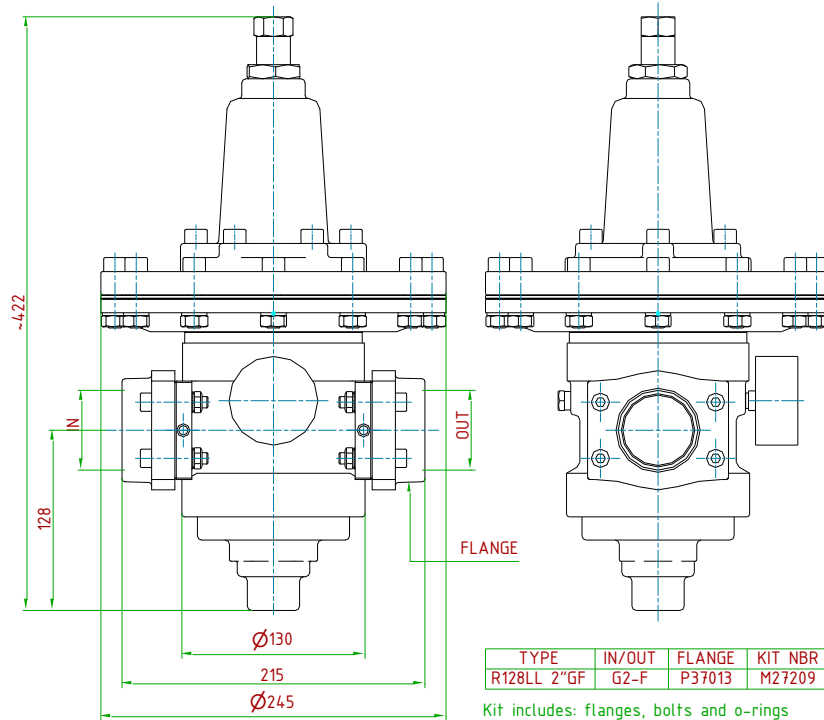
**C0:** Maximum inlet pressure 20 bar

**97:** NBR O-rings

**I:** ID

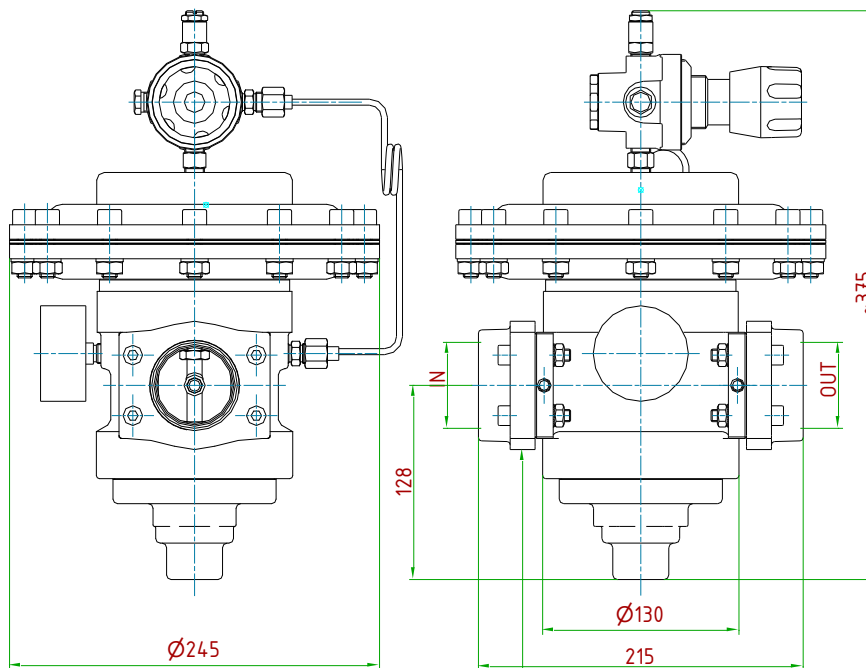
**00:** No accessories

# technical drawings (all dimensions in mm)



| TYPE        | IN/OUT | FLANGE | KIT NBR |
|-------------|--------|--------|---------|
| R128LL 2"GF | G2-F   | P37013 | M27209  |

Kit includes: flanges, bolts and o-rings  
Pout 0.2÷1.5 e 0.6÷6 bar



| TYPE        | IN/OUT | FLANGE | KIT NBR |
|-------------|--------|--------|---------|
| R128LL 2"GF | G2-F   | P37013 | M27209  |

Kit includes: flanges, bolts and o-rings  
Pout 1.5÷15 bar

## **ID Insert Deal Srl**

Strada dei Boschi, 40  
20852 Villasanta (MB) Italia  
tel. +39 039 302035  
[info@idinsertdeal.com](mailto:info@idinsertdeal.com)  
[www.idinsertdeal.com](http://www.idinsertdeal.com)

ID Insert Deal si riserva il diritto di cambiare le specifiche del prodotto senza preavviso.  
ID Insert Deal reserves the right to change and/or modify product specifications without prior notice.

Insert Deal non si assume alcuna responsabilità per la scelta, uso e manutenzione di qualsiasi prodotto. La responsabilità per l'ideale scelta, uso e manutenzione di qualsiasi prodotto ID rimane interamente a carico dell'acquirente.  
Insert Deal does not assume responsibility for selection, use and maintenance of any products. Responsibility for proper selection, use and maintenance of any ID products remains entirely to the purchaser.

Riproduzione vietata. Tutti i diritti riservati; nessuna parte del presente documento può essere riprodotta senza autorizzazione di ID Insert Deal Srl.  
Reproduction forbidden. All rights reserved; the hereby document can't be reproduced, also partially, without the authorization of ID Insert Deal Srl.

**PRESSURE REGULATOR\_D52(R128LL)\_EN\_01**



Azienda con sistema di gestione qualità certificato.  
certificato N° 50 100 9191  
Company with certificated quality management system.  
certificate N° 50 100 9191