



- Forced coupled diaphragm system
- Compact body from brass or stainless steel
- Push-over coil
- Anti-waterhammer, low noise
- Diaphragm materials NBR, EPDM, FPM

Type 6213 can be combined with...



**Type 2508**

Cable plug



**Type 1078**

Timer unit

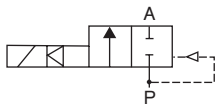


**Type 8600**

Dosing control

The Type 6213 is a 2/2-way normally closed solenoid valve with a forced coupled diaphragm system. It switches from 0 bar and can be used universally for fluids. For complete opening, a differential pressure of at least 0.1 bar is necessary.

#### Circuit function A



Servo-assisted 2/2-way valve; normally closed, with 2-way pilot control

Technical data	
<b>Orifice</b>	DN 10 - 40
<b>Body material</b>	Brass, stainless steel 1.4404
<b>Inner part of valve</b>	Brass body Stainless steel body
<b>Seal material</b>	NBR, FPM, EPDM
<b>Media</b>	NBR FPM EPDM
	Neutral fluids, water, hydraulic oil, oil without additives Per-solutions, hot oils with additives Oil and fat-free fluids
<b>Ambient temperature</b>	Max. +55 °C
<b>Media temperature</b>	NBR FPM EPDM
	-10 to +80°C 0 to +90°C -30 to +120°C
<b>Voltage tolerance</b>	±10%
<b>Duty cycle</b>	100% continuous rating
<b>Electrical connection</b>	Tag connector acc. to DIN EN 175301-803 Form A (previously DIN 43650) for cable plug type 2508 (see Accessories)
<b>Protection class</b>	IP 65 with cable plug
<b>Installation</b>	As required, preferably with actuator upright
<b>Response times</b>	0.1 to 4 seconds (depending on orifice and differential pressure)

Technical data

Orifice [mm]	Port connection Ø [mm]	Kv value water [m³/h]	Pressure range [bar]	Power consumption			Weight	
				Inrush AC [VA]	Hold AC [VA/W]	DC <sup>1)</sup> [W]	brass [kg]	stainless steel [kg]
10	G 1/4	1.9	0 - 10	34	14/8	10	0.4	0.4
	G 3/8							
	G 1/2							
13	G 1/2	3.6	0 - 10	36	14/8	10	0.45	0.55
	G 3/4							
20	G 3/4	8.3	0 - 10	38	14/8	10	1.0	1.1
	G 1							
25	G 1	11.0	0 - 10	160	38/18	72/4 <sup>1)</sup>	1.7	-
	G 1 1/4							
40	G 1 1/2	30.0	0 - 10	202	38/18	72/4 <sup>1)</sup>	3.5	-
	G 2							

1) For DN 25 and DN 40 with 24 V/UC, a cable plug with an integrated high-power electronics is provided as part of the delivery.

**Flow rate: Kv value water (m³/h)**

Measured at +20°C, 1 bar pressure at valve inlet and free outlet

**Pressure values (bar)**

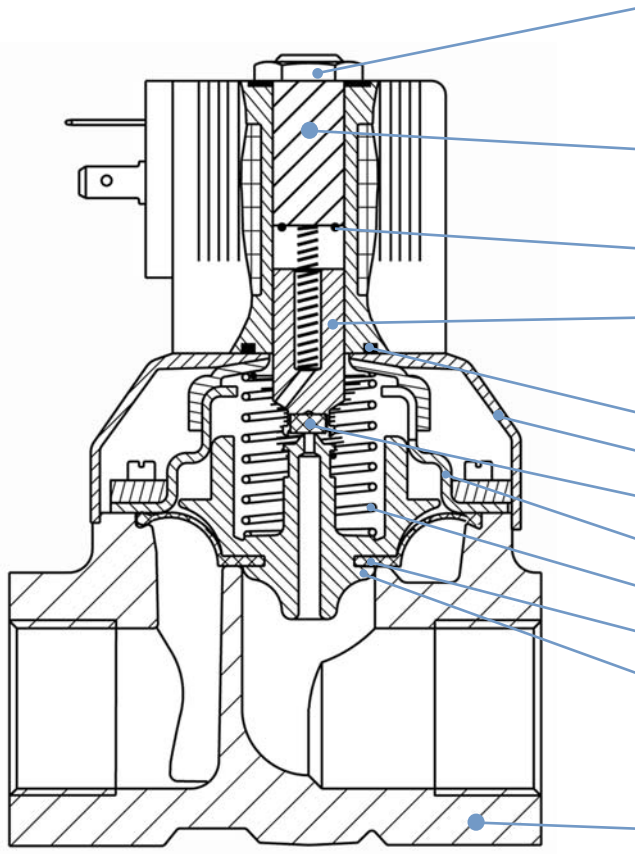
Gauge pressures with respect to the prevailing atmospheric pressure

**Response times (ms)**

Measured at valve outlet at 6 bar and +20°C

- Opening            pressure build-up 0 to 90%
- Closing            pressure decay 100 to 10%

Materials



**Locknut:**  
 Brass version: 9SMnPb28K (surface Zn5g1cA)  
 SS version: 1.4305 PTFE coated

**Stopper:**  
 DN 10-13 mm: 1.4113  
 DN 25-40 mm: 1.4105

**Shading ring:** Cu (copper) (only with AC voltage)

**Plunger:**  
 DN 10-13 mm: 1.4113  
 DN 25-40 mm: 1.4105

**O-rings:** NBR, FPM, EPDM

**Bonnet:** Durethan BKV30H

**Plunger seal:** NBR, FPM, EPDM

**Bonnet:** 1.4310

**Spring:** 1.4310

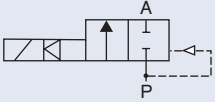
**Diaphragm:** NBR, FPM, EPDM

**Diaphragm support:** PPSGF40

**Valve body:** Brass or stainless steel 1.4404

**Ordering chart for valves** (other versions on request)

**Valves with brass or stainless steel body; without cable plug** (see footnote resp. Accessories)

Circuit function	Orifice [mm]	Port connection	Kv value water [m³/h]	Pressure range [bar]	Voltage/frequency [V/Hz]	Brass body			Stainless steel body		
						Item no. brass body NBR diaphragm	Item no. brass body FPM diaphragm	Item no. brass body EPDM diaphragm	Item no. stainless steel body FPM diaphragm		
 <p>Servo-assisted 2/2-way valve; normally closed, with 2-way pilot control</p>	10	G 1/4	1.9	0-10	024/DC	139 100	139 104	139 096	141 187		
					024/50	139 101	139 105	139 097	141 188		
					230/50	139 103	139 107	139 099	141 190		
		G 3/8	1.9	0-10	024/DC	125 653	126 264	135 217	141 191		
					024/50	125 654	126 265	135 218	141 192		
					230/50	125 656	126 267	135 220	141 194		
		G 1/2	1.9	0-10	024/DC	126 260	126 268	135 221	141 195		
					024/50	126 261	126 269	135 222	141 196		
					230/50	126 263	126 271	135 224	141 198		
	13	G 1/2	3.6	0-10	024/DC	125 657	126 276	135 226	141 215		
					024/50	125 658	126 277	135 227	141 216		
					042/50	131 915	–	–	–		
					230/50	125 660	126 279	135 229	141 218		
					024/DC	126 272	126 280	135 230	141 219		
					024/50	126 273	126 281	135 231	141 220		
		G 3/4	3.6	0-10	230/50	126 275	126 283	135 233	141 222		
					024/DC	126 284	126 292	135 234	141 239		
					024/50	126 285	126 293	135 235	141 240		
	20	G 3/4	8.3	0-10	042/50	133 017	–	–	–		
					230/50	126 287	126 295	135 237	141 242		
					024/DC	126 288	126 296	135 238	141 243		
					024/50	126 289	126 297	135 239	141 244		
					230/50	126 291	126 299	135 241	141 246		
					G 1	8.3	0-10	024/UC <sup>1)</sup>	138 410	138 414	138 412
024/50		134 678	135 139	135 133				–			
230/50		134 680	135 141	135 135				–			
25		G 1	11.0	0-10	024/UC <sup>1)</sup>	138 411	138 415	138 413	–		
	024/50				134 681	135 142	135 136	–			
	230/50				134 683	135 144	135 138	–			
	G 1 1/4				11.0	0-10	024/UC <sup>1)</sup>	138 416	138 420	138 418	–
							024/50	134 684	135 242	135 145	–
							230/50	134 686	135 244	135 147	–
	40	G 1 1/2	30.0	0-10	024/UC <sup>1)</sup>	138 417	138 421	138 419	–		
					024/50	134 687	135 245	135 148	–		
					230/50	134 689	135 247	135 150	–		
G 2		30.0	0-10	024/UC <sup>1)</sup>	138 417	138 421	138 419	–			
				024/50	134 687	135 245	135 148	–			
				230/50	134 689	135 247	135 150	–			

1) For DN 25 and DN 40 with 24 V/UC, a cable plug with an integrated high-power electronics is provided as part of the delivery.

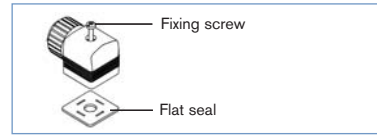
**Further versions on request**

- Heavy duty versions with high power coil for fluids and gases (see separate datasheet 6213 HP)
- Voltage 110 V/50 Hz, others on request

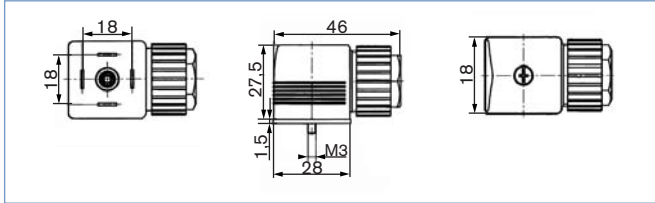
Accessories

**Cable plug Type 2508 acc. DIN EN 175301-803 Form A**

The delivery of a cable plug includes the flat seal and the fixing screw (galvanised and chrome-plated). For other cable plug versions acc. to DIN EN 175301-803 Form A (previously DIN 43650), see datasheet Type 2508.



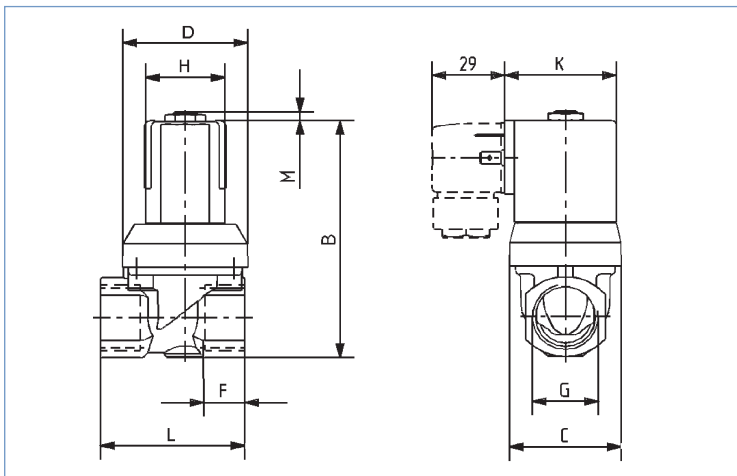
**Dimensions Type 2508 [mm]**



**Ordering chart for the cable plug Type 2508**

Circuitry	Voltage	Item no.
without circuitry	0 - 250 V	008 376
with LED	12 - 24 V	008 360
with LED and varistor	12 - 24 V	008 367
with LED and varistor	200 - 240 V	008 369
further versions, see datasheet for Type 2508		

**Dimensions [mm]**



G Thread DN [mm]	AC coil		DC coil			DC and AC coil			L brass	L stainless steel	M	
	G	F	B	H	K	B	H	K				C
10	G 1/4	12	82.0	32	45	82.5	40	51	37.5	50	55	3.5
	G 3/8	12										
	G 1/2	14										
13	G 1/2	14	95.5	32	45	96.0	40	51	45.0	58	65	3.5
	G 3/4	16										
20	G 3/4	16	115.5	32	45	116.0	40	51	66.0	80	100	3.5
	G 1	18										
25	G 1	18	158.5	49	53	158.5	49	53	104.5	95	-	7.0
	G 1 1/4	20				163.0			104.5			
40	G 1 1/2	22	179.5	49	53	179.5	49	53	104.5	132	-	7.0
	G 2	24				184.5						